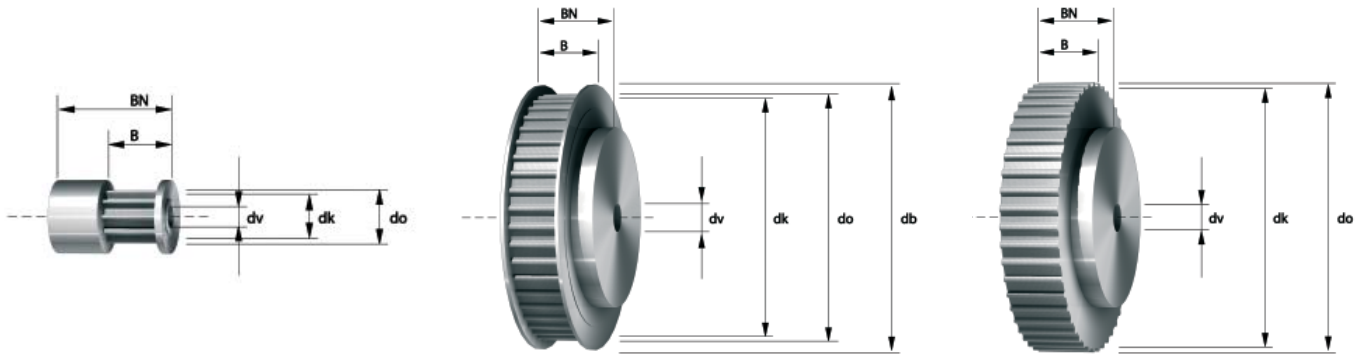




Synchronscheiben für zylindrische Bohrung T-Profil



- z = Zähnezahl
- dk = Kopfkreisdurchmesser
- do = Wirkkreisdurchmesser
- db = Bordscheibendurchmesser
- dv = Durchmesser der Vorbohrung
- dmax = max. Bohrungsdurchmesser ohne Passfedernut
Nabe entfällt bei maximaler Vorbohrung
- dmin = Minstdurchmesser der Spannrolle auf Verzahnung 15 mm, auf Riemenrücken laufend 18 mm

Werkstoffe: Al

Bordscheibe: Stahl verzinkt

Riemenbreite = b (mm)	4	6	8	10	20
Gesamtbreite = B (mm)	8	10	12	14	24
Gesamtbreite mit Nabe = BN (mm)	14	16	18	20	30

Zwischenbreiten, Sondernaben und -Werkstoffe sind möglich.

T 2,5

z	dk (mm)	do (mm)	db (mm)	Type	dv (mm)	dmax (mm)	Nabe (BxH) (mm)
10	7,45	7,96	10	1F	3H7	3	10 x 6
11	8,25	8,75	12	1F	3H7	3	10 x 6
12	9,00	9,55	12	1F	3H7	3	12 x 6
13	9,80	10,35	13	1F	3H7	3,5	12 x 6
14	10,60	11,14	14	1F	3H7	4	14 x 6
15	11,40	11,94	15	1F	3H7	5	15 x 6
16	12,20	12,73	16	1F	3H7	6	16 x 6
17	13,00	13,53	16	1F	3H7	7	10 x 6
18	13,80	14,32	17	6F	4H7	7	10 x 6
19	14,60	15,12	18	6F	4H7	8	10 x 6
20	15,40	15,92	19	6F	4H7	9	10 x 6
21	16,20	16,71	20	6F	4H7	10	10 x 6
22	17,00	17,51	20	6F	4H7	10	10 x 6
23	17,80	18,30	21	6F	4H7	11	10 x 6
24	18,55	19,10	22	6F	4H7	11	12 X 6

z	dk (mm)	do (mm)	db (mm)	Type	dv (mm)	dmax (mm)	Nabe (BxH) (mm)
25	19,35	19,89	24	6F	4H7	12	12 x 6
26	20,15	20,69	24	6F	4H7	13	13 x 6
27	20,95	21,49	24	6F	4H7	13	13 x 6
28	21,75	22,28	25	6F	4H7	13	13 x 6
29	22,55	23,08	26	6F	4H7	14	14 x 6
30	23,35	23,87	26	6F	6H7	15	16 x 6
31	24,15	24,67	28	6F	6H7	16	16 x 6
32	24,95	25,46	28	6F	6H7	16	16 x 6
33	25,75	26,26	30	6F	6H7	17	16 x 6
34	26,55	27,06	30	6F	6H7	17	16 x 6
35	27,35	27,85	32	6F	6H7	20	16 x 6
36	28,15	28,65	32	6F	6H7	20	20 x 6
37	28,90	29,44	32	6F	6H7	21	20 x 6
38	29,70	30,24	34	6F	6H7	21	20 x 6
39	30,50	31,04	34	6F	6H7	22	20 x 6

■ = Lagerzahnscheiben

Ausführungen Type, db und dv können abweichen.



T 2,5

z	dk (mm)	do (mm)	db (mm)	Type	dv (mm)	dmax (mm)	Nabe (BxH) (mm)
40	31,30	31,83	35	6F	6H7	23	22 x 6
41	32,10	32,63	36	6F	6H7	24	22 x 6
42	32,90	33,42	36	6F	6H7	24	22 x 6
43	33,70	34,22	37	6F	6H7	24	22 x 6
44	34,50	35,01	39	6F	6H7	25	24 x 6
45	35,30	35,81	39	6F	6H7	26	22 x 6
46	36,10	36,61	40	6F	6H7	27	22 x 6
47	36,90	37,40	40	6F	6H7	27	22 x 6
48	37,70	38,20	-	6	6H7	27	26 x 6
49	38,45	38,99	42	6/6F	6H7	28	26 x 6
50	39,25	39,79	43	6/6F	6H7	29	26 x 6
51	40,05	40,58	43	6/6F	6H7	30	26 x 6
52	40,85	41,38	45	6/6F	6H7	30	26 x 6
53	41,65	42,18	45	6/6F	6H7	30	26 x 6
54	42,45	42,97	47	6/6F	6H7	31	26 x 6
55	43,25	43,77	47	6/6F	6H7	32	26 x 6
56	44,05	44,56	47	6/6F	6H7	32	26 x 6
57	44,85	45,36	48	6/6F	6H7	32	26 x 6
58	45,65	46,15	50	6/6F	6H7	33	26 x 6
59	46,45	46,95	50	6/6F	6H7	34	26 x 6
60	47,25	47,75	-	6	8H7	35	34 x 6
61	48,05	48,54	52	6/6F	8H7	36	34 x 6
62	48,80	49,34	53	6/6F	8H7	37	34 x 6
63	49,60	50,13	53	6/6F	8H7	37	34 x 6
64	50,40	50,93	55	6/6F	8H7	37	34 x 6
65	51,20	51,73	55	6/6F	8H7	38	34 x 6
66	52,00	52,52	55	6/6F	8H7	38	34 x 6
67	52,80	53,32	56	6/6F	8H7	39	34 x 6
68	53,60	54,11	58	6/6F	8H7	39	34 x 6
69	54,40	54,91	58	6/6F	8H7	40	34 x 6
70	55,20	55,70	60	6/6F	8H7	41	34 x 6
71	56,00	56,50	60	6/6F	8H7	42	34 x 6
72	56,80	57,30	60	6/6F	8H7	42	34 x 6
73	57,60	58,09	62	6/6F	8H7	43	38 x 6
74	58,35	58,89	62	6/6F	8H7	44	38 x 6
75	59,15	59,68	62	6/6F	8H7	45	38 x 6
76	59,95	60,48	64	6/6F	8H7	45	38 x 6
77	60,75	61,27	64	6/6F	8H7	46	38 x 6
78	61,55	62,07	66	6/6F	8H7	47	38 x 6
79	62,35	62,87	66	6/6F	8H7	47	38 x 6
80	63,15	63,66	68	6/6F	8H7	47	38 x 6
81	63,95	64,46	68	6/6F	8H7	47	38 x 6
82	64,75	65,25	68	6/6F	8H7	48	38 x 6
83	65,55	66,05	70	6/6F	8H7	49	38 x 6

z	dk (mm)	do (mm)	db (mm)	Type	dv (mm)	dmax (mm)	Nabe (BxH) (mm)
84	66,35	66,85	70	6/6F	8H7	50	38 x 6
85	67,15	67,64	72	6/6F	8H7	50	38 x 6
86	67,95	68,44	72	6/6F	8H7	51	38 x 6
87	68,70	69,23	72	6/6F	8H7	51	38 x 6
88	69,50	70,03	74	6/6F	8H7	52	38 x 6
89	70,30	70,82	74	6/6F	8H7	52	38 x 6
90	71,10	71,62	75	6/6F	8H7	53	38 x 6
91	71,90	72,42	75	6/6F	10H7	53	40 x 6
92	72,70	73,21	76	6/6F	10H7	54	40 x 6
93	73,50	74,01	78	6/6F	10H7	55	40 x 6
94	74,30	74,80	78	6/6F	10H7	55	40 x 6
95	75,10	75,60	80	6/6F	10H7	56	40 x 6
96	75,90	76,39	80	6/6F	10H7	57	40 x 6
97	76,70	77,19	80	6/6F	10H7	57	40 x 6
98	77,50	77,99	82	6/6F	10H7	58	40 x 6
99	78,25	78,78	82	6/6F	10H7	58	40 x 6
100	79,05	79,58	84	6/6F	10H7	59	40 x 6
101	79,85	80,37	84	6/6F	10H7	59	50 x 6
102	80,65	81,17	84	6/6F	10H7	60	50 x 6
103	81,45	81,96	86	6/6F	10H7	61	50 x 6
104	82,25	82,76	86	6/6F	10H7	62	50 x 6
105	83,05	83,56	88	6/6F	10H7	63	50 x 6
106	83,85	84,35	88	6/6F	10H7	63	50 x 6
107	84,65	85,15	88	6/6F	10H7	64	50 x 6
108	85,45	85,94	90	6/6F	10H7	64	50 x 6
109	86,25	86,74	90	6/6F	10H7	65	50 x 6
110	87,05	87,54	91	6/6F	10H7	65	50 x 6
111	87,85	88,33	91	6/6F	10H7	65	50 x 6
112	88,60	89,13	93	6/6F	10H7	66	50 x 6
113	89,40	89,92	93	6/6F	10H7	67	50 x 6
114	90,20	90,72	94	6/6F	10H7	68	50 x 6