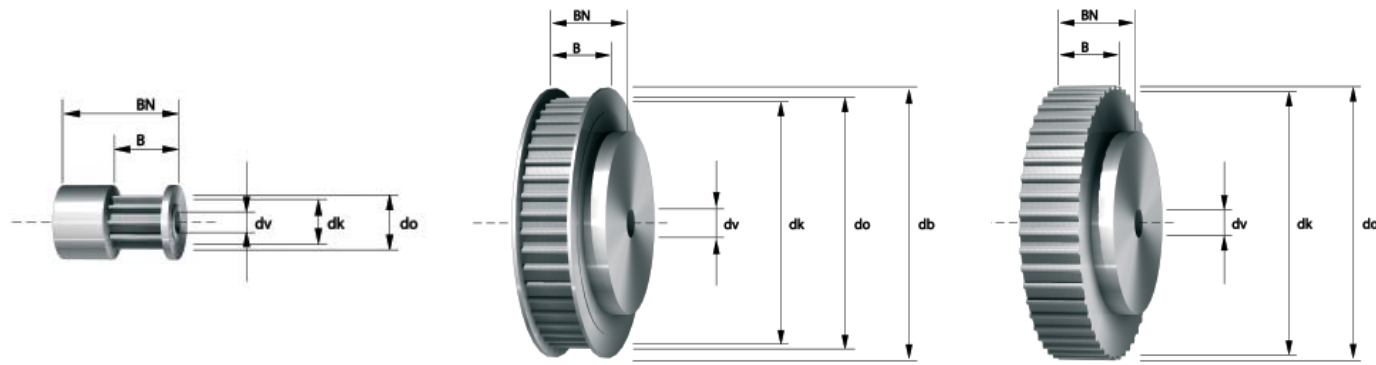




Synchronizing pulleys for cylindrical bore T-profile



- z = Number of teeth
- dk = Outside diameter
- do = Pitch circle diameter
- db = Flange diameter
- dv = Diameter of pre-bore
- dmax = Max. bore diameter without feather key groove
- dmin = Min. diameter of tension roller running on tothing 15 mm, on back of belt 18 mm

Materials: Aluminum Flange: Steel, zinc-coated

Belt width = b (mm)	4	6	8	10	20
Total width = B (mm)	8	10	12	14	24
Total width with hub = BN (mm)	14	16	18	20	30

Additional widths, special hubs and materials on request.

T 2,5

z	dk (mm)	do (mm)	db (mm)	Type	dv (mm)	dmax (mm)	Hub (WxH) (mm)
10	7.45	7.96	10	1F	3H7	3	10 x 6
11	8.25	8.75	12	1F	3H7	3	10 x 6
12	9.00	9.55	12	1F	3H7	3	12 x 6
13	9.80	10.35	13	1F	3H7	3,5	12 x 6
14	10.60	11.14	14	1F	3H7	4	14 x 6
15	11.40	11.94	15	1F	3H7	5	15 x 6
16	12.20	12.73	16	1F	3H7	6	16 x 6
17	13.00	13.53	16	1F	3H7	7	10 x 6
18	13.80	14.32	17	6F	4H7	7	10 x 6
19	14.60	15.12	18	6F	4H7	8	10 x 6
20	15.40	15.92	19	6F	4H7	9	10 x 6
21	16.20	16.71	20	6F	4H7	10	10 x 6
22	17.00	17.51	20	6F	4H7	10	10 x 6
23	17.80	18.30	21	6F	4H7	11	10 x 6
24	18.55	19.10	22	6F	4H7	11	12 x 6

z	dk (mm)	do (mm)	db (mm)	Type	dv (mm)	dmax (mm)	Hub (WxH) (mm)
25	19.35	19.89	24	6F	4H7	12	12 x 6
26	20.15	20.69	24	6F	4H7	13	13 x 6
27	20.95	21.49	24	6F	4H7	13	13 x 6
28	21.75	22.28	25	6F	4H7	13	13 x 6
29	22.55	23.08	26	6F	4H7	14	14 x 6
30	23.35	23.87	26	6F	6H7	15	16 x 6
31	24.15	24.67	28	6F	6H7	16	16 x 6
32	24.95	25.46	28	6F	6H7	16	16 x 6
33	25.75	26.26	30	6F	6H7	17	16 x 6
34	26.55	27.06	30	6F	6H7	17	16 x 6
35	27.35	27.85	32	6F	6H7	20	16 x 6
36	28.15	28.65	32	6F	6H7	20	20 x 6
37	28.90	29.44	32	6F	6H7	21	20 x 6
38	29.70	30.24	34	6F	6H7	21	20 x 6
39	30.50	31.04	34	6F	6H7	22	20 x 6

■ = Standard stock pulleys

Some types, db and dv may deviate.



T 2,5

z	dk (mm)	do (mm)	db (mm)	Type	dv (mm)	dmax (mm)	Hub (WxH) (mm)
40	31.30	31.83	35	6F	6H7	23	22 x 6
41	32.10	32.63	36	6F	6H7	24	22 x 6
42	32.90	33.42	36	6F	6H7	24	22 x 6
43	33.70	34.22	37	6F	6H7	24	22 x 6
44	34.50	35.01	39	6F	6H7	25	24 x 6
45	35.30	35.81	39	6F	6H7	26	22 x 6
46	36.10	36.61	40	6F	6H7	27	22 x 6
47	36.90	37.40	40	6F	6H7	27	22 x 6
48	37.70	38.20	-	6	6H7	27	26 x 6
49	38.45	38.99	42	6/6F	6H7	28	26 x 6
50	39.25	39.79	43	6/6F	6H7	29	26 x 6
51	40.05	40.58	43	6/6F	6H7	30	26 x 6
52	40.85	41.38	45	6/6F	6H7	30	26 x 6
53	41.65	42.18	45	6/6F	6H7	30	26 x 6
54	42.45	42.97	47	6/6F	6H7	31	26 x 6
55	43.25	43.77	47	6/6F	6H7	32	26 x 6
56	44.05	44.56	47	6/6F	6H7	32	26 x 6
57	44.85	45.36	48	6/6F	6H7	32	26 x 6
58	45.65	46.15	50	6/6F	6H7	33	26 x 6
59	46.45	46.95	50	6/6F	6H7	34	26 x 6
60	47.25	47.75	-	6	8H7	35	34 x 6
61	48.05	48.54	52	6/6F	8H7	36	34 x 6
62	48.80	49.34	53	6/6F	8H7	37	34 x 6
63	49.60	50.13	53	6/6F	8H7	37	34 x 6
64	50.40	50.93	55	6/6F	8H7	37	34 x 6
65	51.20	51.73	55	6/6F	8H7	38	34 x 6
66	52.00	52.52	55	6/6F	8H7	38	34 x 6
67	52.80	53.32	56	6/6F	8H7	39	34 x 6
68	53.60	54.11	58	6/6F	8H7	39	34 x 6
69	54.40	54.91	58	6/6F	8H7	40	34 x 6
70	55.20	55.70	60	6/6F	8H7	41	34 x 6
71	56.00	56.50	60	6/6F	8H7	42	34 x 6
72	56.80	57.30	60	6/6F	8H7	42	34 x 6
73	57.60	58.09	62	6/6F	8H7	43	38 x 6
74	58.35	58.89	62	6/6F	8H7	44	38 x 6
75	59.15	59.68	62	6/6F	8H7	45	38 x 6
76	59.95	60.48	64	6/6F	8H7	45	38 x 6
77	60.75	61.27	64	6/6F	8H7	46	38 x 6
78	61.55	62.07	66	6/6F	8H7	47	38 x 6
79	62.35	62.87	66	6/6F	8H7	47	38 x 6
80	63.15	63.66	68	6/6F	8H7	47	38 x 6
81	63.95	64.46	68	6/6F	8H7	47	38 x 6
82	64.75	65.25	68	6/6F	8H7	48	38 x 6
83	65.55	66.05	70	6/6F	8H7	49	38 x 6

z	dk (mm)	do (mm)	db (mm)	Type	dv (mm)	dmax (mm)	Hub (WxH) (mm)
84	66.35	66.85	70	6/6F	8H7	50	38 x 6
85	67.15	67.64	72	6/6F	8H7	50	38 x 6
86	67.95	68.44	72	6/6F	8H7	51	38 x 6
87	68.70	69.23	72	6/6F	8H7	51	38 x 6
88	69.50	70.03	74	6/6F	8H7	52	38 x 6
89	70.30	70.82	74	6/6F	8H7	52	38 x 6
90	71.10	71.62	75	6/6F	8H7	53	38 x 6
91	71.90	72.42	75	6/6F	10H7	53	40 x 6
92	72.70	73.21	76	6/6F	10H7	54	40 x 6
93	73.50	74.01	78	6/6F	10H7	55	40 x 6
94	74.30	74.80	78	6/6F	10H7	55	40 x 6
95	75.10	75.60	80	6/6F	10H7	56	40 x 6
96	75.90	76.39	80	6/6F	10H7	57	40 x 6
97	76.70	77.19	80	6/6F	10H7	57	40 x 6
98	77.50	77.99	82	6/6F	10H7	58	40 x 6
99	78.25	78.78	82	6/6F	10H7	58	40 x 6
100	79.05	79.58	84	6/6F	10H7	59	40 x 6
101	79.85	80.37	84	6/6F	10H7	59	50 x 6
102	80.65	81.17	84	6/6F	10H7	60	50 x 6
103	81.45	81.96	86	6/6F	10H7	61	50 x 6
104	82.25	82.76	86	6/6F	10H7	62	50 x 6
105	83.05	83.56	88	6/6F	10H7	63	50 x 6
106	83.85	84.35	88	6/6F	10H7	63	50 x 6
107	84.65	85.15	88	6/6F	10H7	64	50 x 6
108	85.45	85.94	90	6/6F	10H7	64	50 x 6
109	86.25	86.74	90	6/6F	10H7	65	50 x 6
110	87.05	87.54	91	6/6F	10H7	65	50 x 6
111	87.85	88.33	91	6/6F	10H7	65	50 x 6
112	88.60	89.13	93	6/6F	10H7	66	50 x 6
113	89.40	89.92	93	6/6F	10H7	67	50 x 6
114	90.20	90.72	94	6/6F	10H7	68	50 x 6