

easy drive®
The catalog 2019

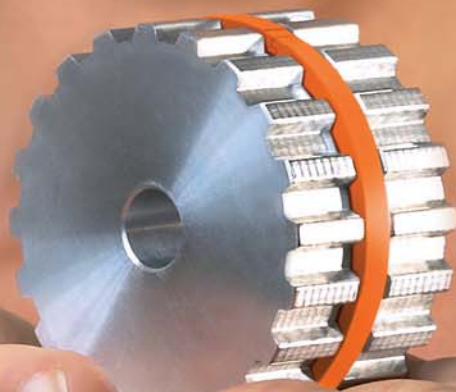


Table of contents	2
Foreword	3
Introduction	4-7
Online configurator	8-9

Timing belt easy drive®

Polyurethane

General	10-11
Profiles	12
Designs	13
Open ended / endless welded	14-18
Molded endless	19-21
Wide timing belts	22-23
Flex timing belts	24-25

Neoprene

General	26
Profiles	27
MXL	28
XL	29
L / H / XH / XXH	30
DXL / DL / DH	31
3M	32
5M / 8M	33
8M / 14M / 20M	34
D5M / D8M / D14M	35
S3M / S5M / S8M	36
S8M / S14M / DS8M	37

Backings / Finishing	38-41
Profiles / Cleats	42-43

Pulleys easy drive®

General	
T-profile	44
AT-profile	45
HTD-profile	46
Imperial-profile	47

Pulleys easy drive®

Technical data

T-profile

T2,5	48-49
T5	50-51
T10	52-53
T20	54-55

AT-profile

AT3	56-57
AT5	58-59
AT10	60-61
AT20	62-63

HTD-profile

HTD3M	64-65
HTD5M	66-67
HTD8M	68-69
HTD14M	70-71

Imperial-profile

MXL	72-73
XL	74-75
L	76-77
H	78-79
XH	80-81

Materials	82
Surface treatment	83

Fastening elements	
Tension bushings	84-89
Notes	90-91

Technical changes reserved. Version 09/18

Foreword

Dear business partners and interested customers,

We have improved, expanded and revised our comprehensive **easy drive®** catalogue so that it reflects the current, large **easy drive®** - product range.

The **easy drive®** catalogue will prove an ideal tool for your planning process and – in view of its informative and detailed contents – it is an indispensable source of information about **easy drive®**, the new standard in timing belt engineering.

The strong and qualified demand of **easy drive®** products has led to many new projects and system restructuring measures in the market. This once again underscores the significance of the development, expansion and innovation of **easy drive®** in very different fields of application.

easy drive® has gained a successful position in the market today with over 40 stocked ring sizes for more than 600 pulley diameters all common tooth pitches (T / AT / HTD / imperial). **easy drive®** is available worldwide through our licensed and competent sales partners.

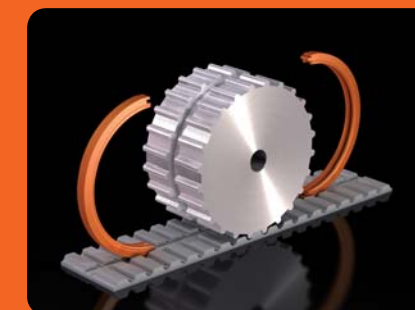
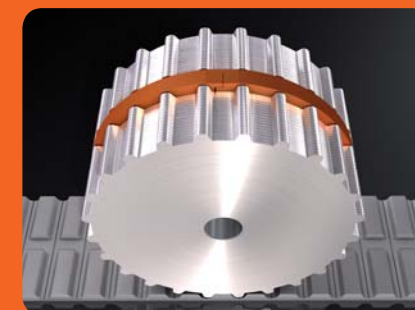
On our website www.easydrive.info, you will find detailed technical information, pictures of the products, the **easy drive®** product film as well as a list of licensed dealers and the **easy drive®** online configurator.

Please don't hesitate to contact us for any information or if you have any questions regarding possible applications of **easy drive®**.

We wish you much success with **easy drive®**, and look forward to working together with you,

Matthias Pesch

Managing Director
BELTING GROUP GmbH



The precisely meshing easy drive® ring for mounting on the pulley is innovative progress.

The timing belt, which is fitted with a corresponding groove, engages reliably and accurately with the guide ring.

This leads to extremely high directional stability in guiding the timing belt – also when it moves in both directions and there is only limited installation space in the plant.”

easy drive®

Safe. Directional stability. Versatile.

The new standard in timing belt engineering is simple and efficient. Accuracy and smoothness of running usually are absolutely necessary when timing belts and pulleys work together in a drive application.

Highest possible directional stability with all tooth shapes, pitches and materials.

easy drive®

Creates successful solutions.

“With the introduction of the patented product easy drive®, completely new, cost- and resource-saving solutions can be realized for myriad tasks.

For dealers, OEM's and the manufacturers of plants and machines, the progress that can be achieved with easy drive® is not limited to qualitative improvements.

This new standard will open up unprecedented opportunities to meet individual and unconventional customer requirements throughout the entire range of synchronous belt engineering.”

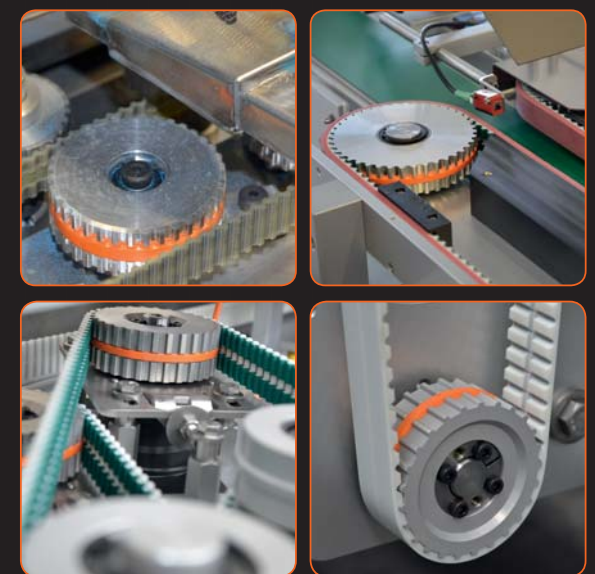
Advantages

- Universal application instead of flanged pulleys or special toothed belt guides
- Can be used with any tooth shape or belt pitch
- Can be combined with any material – steel, aluminium, grey cast-iron or plastics
- For polyurethane and also for neoprene timing belts
- Maximum directional stability of the timing belt without lateral play, inaccurate running or drift
- Timing belt vibrations are reduced – very smooth running properties
- Applicable in both running directions, reversible
- Less installation space required in the plant because the pulleys have smaller diameters and less thickness
- Suitable for omega drives and deflectors
- Low-cost, saves resources



Applications

- Packaging machines and labeling equipment
- Conveying systems and linear axles
- Storage and retrieval devices
- Flat glass production
- Feeds to pressing and grinding machines
- Feed/assembly equipment
- Technology for measuring devices
- Lifting tables
- Medical technology / pharmaceutical production
- Manufacture/construction of special machines
- Portal cranes
- Solar wafer transport
- For all types of timing belt applications



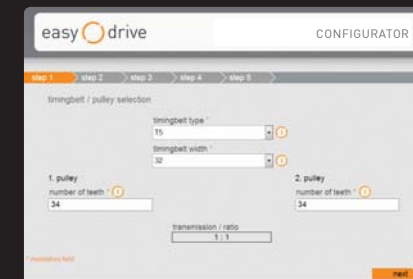
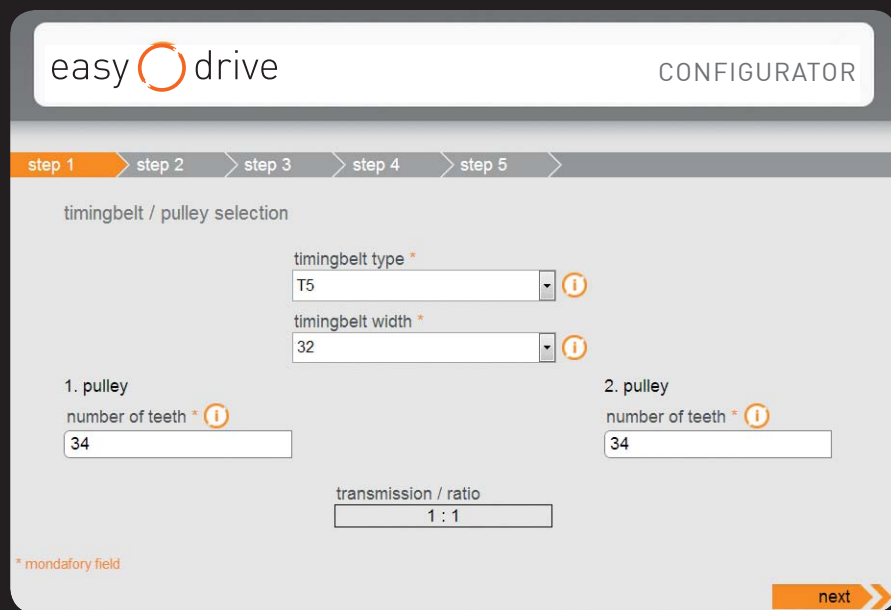
easy drive®

Five steps, one goal.

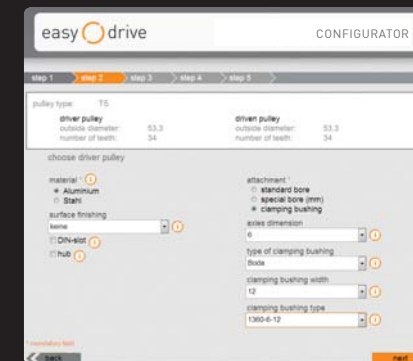
„The easy drive® Online Configurator sets the standard for design assistance and product information.

The five steps of the Online Configurator allow individual user inquiries and make it easy to calculate easy drive® pulleys as well as timing belts. Moreover, a quotation request or order for the selected configuration can be submitted immediately!“

<http://www.easydrive.info/configurator>



1. Select pulley type and belt width.



2. Define type and design of drive pulley and ...!



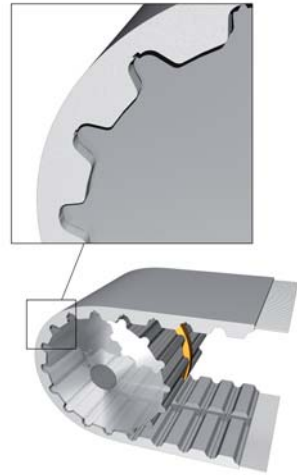
3. ... deflection pulley.



4. Define dimensions, specifications and finishing of belts.



5. That's it! Now you can submit the configured result as a query or order.



Polyurethane timing belts are made of highly abrasion resistant and high-strength steel cords, Kevlar cords or special cords, such as highly flexible or stainless steel cords, and manufactured in a sophisticated production process. The combination of these materials forms the basis for the wide range of applications in synchronous drive technology as well as for transport, conveying and positioning plants. In view of their diverse tooth designs, materials and production methods, polyurethane timing belts are characterized by superior mechanical, chemical and physical properties. Polyurethane timing belts ensure a constant load distribution for the transmission of power and high torque, have high mechanical load capacity, are flexible and display high belt tension and heat resistance.



easy drive® polyurethane timing belts are produced as yard ware, endless welded, sleeve or flex-belt in almost all lengths and width sizes. The guiding groove on the tooth side can either be produced in the production process or milled later.



easy drive® open-end polyurethane timing belts offer highest flexibility for synchronous conveying and positioning applications and innumerable application possibilities because of the large number of tooth forms.

easy drive® endless welded polyurethane timing belts "V"
Endless welded timing belts can be produced in nearly all lengths. They are typically used in conveying applications.

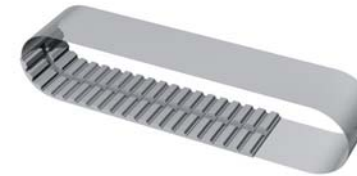


easy drive® open linear polyurethane timing belts "M"
Open-end timing belts are preferably used for linear applications.

For special conveying applications, we can offer polyurethane timing belts with different kinds of backings and/or welded profiles.



Polyurethane molded timing belts (sleeves) are cast in special molds. These types of belts feature very exact pitch sizes along the whole belt and are particularly suitable whenever smooth running and high-speed drive are needed.



easy drive® polyurethane timing belts "Flex" are extruded with endless wound cords. In these belts the cords are helically spooled. Due to the high power transmission capacity of these belts, they can be used universally for power transmission as well as conveying and positioning applications.

min./max. length 720 – 15,000 mm (width 100 mm)
min./max. length 900 – 22,700 mm (width 150 mm)



easy drive® polyurethane "Wide belts" are endless welded in widths up to 900 mm. These belts are especially developed for synchronous conveying applications. The wide range of widths as well as high chemical and mechanical properties allow a wide spectrum of applications. In addition, we can offer these belts in a special FDA polyurethane compound and polyamide fabric on the tooth and/or backside.

profile	min. width (mm)	max. width open / sleeve (mm)	min. no. of teeth of pulley
T2,5	12	100 / 200	27
T5	12	150 / 400	14
T10	12	500 / 400	12
T20	25	150	15
AT3	12	100	22
AT5	12	150 / 400	14
AT10	16	150 / 400	12
AT20	25	150	18
HTD3	12	30	23
HTD / STD5 / RPP5	12	150	14
HTD / STD8 / RPP8	15	150	20
HTD / STD14 / RPP14	25	170	28
MXL	12,7	240 / 300	34
XL	12,7	101,6 / 300	14
L	12,7	152,4 / 300	10
H	12,7	152,4 / 300	14
XH	25,4	152,4	18



T-profile
 Trapezoid profile according to DIN 7721
 Metric pitches: T2,5 / T5 / T10 / T20
 The standard version is universally applicable for any tasks in drive and conveying technology



AT-profile
 The AT-profile is a further development of the T-profile and, in particular, provides higher tooth volume, higher tooth load capacity and stronger cords.
 Metric pitches: AT3 / AT5 / AT10 / AT20
 Advantages: – greater tooth intermesh and less contact hit
 – cords for constant pitch and higher tear resistance
 – higher efficiency of up to 50% as compared to the T-profile



Imperial profile
 Inch pitch sizes according to DIN/ISO 5296
 MXL = 2,032 mm
 XL = 5,08 mm
 L = 9,525 mm
 H = 12,7 mm
 XH = 22,225 mm
 XXH = 31,75 mm
 Mainly used in GB, USA and Asia



HTD-profile
 The High Torque Drive profile has round teeth to ensure faultless meshing with the pulley as well as optimized power and tension distribution. In addition, the high HTD tooth prevents jump-over.
 Metric pitches: HTD5M / HTD8M / HTD14M
 Typical applications: – Linear axles
 – Lifting applications
 – Drive positioning
 – Conveying



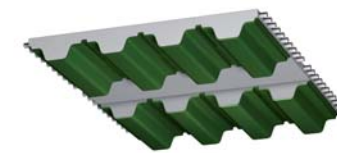
STD-profile
 The STD Super Torque Drive has involute toothing to ensure optimum meshing with the pulley as well as optimal power and tension distribution and, consequently, silent running of the belt.
 Metric pitches: STD5M / STD8M / STD14M
 Typical applications: – Linear axles
 – Positioning drives
 – Silent run drives



Single-sided toothing
 T2,5 / T5 / T10 / T20
 AT3 / AT5 / AT10 / AT20
 MXL / XL / L / H / XH
 HTD / STD 5M, 8M, 14M



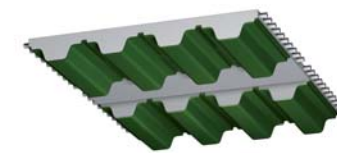
Double-sided toothing
 T5DL / T10DL / (T20DL)
 AT5DL / AT10DL
 (HDL)



Polyamide fabric on tooth side "NT"
 T5 / T10 / T20
 AT5 / AT10 / AT20
 XL / L / H / XH
 HTD / STD / RPP
 The low coefficient of friction on the tooth side lets the toothing mesh more easily with the pulley, reduces noise and friction on the running surface.



Polyamide fabric on backside "NB"
 T5 / T10 / T20
 AT5 / AT10 / AT20
 XL / L / H / XH
 HTD / STD
 The polyamide fabric increases the sliding properties and is wear resistant.



Polyamide fabric on both sides "NTB"
 T5 / T10 / T20
 AT5 / AT10
 XL / L / H / XH
 HTD / STD / RPP
 T5 / T10 / AT5 available with antistatic fabric.

T pitches



	T2,5	T5	T10	T20
min. length -V in mm	350	340	400	1000
Slitting lane mm	25	16 / 25	16 / 25	16 / 25
Full roll length in m	100	100	100	50
min.teeth without contra-flexure Zmin	15	10	12	15
min.diameter tension roller on tooth side	15	20	60	120
min.teeth with contra-flexure Zmin	18	18	25	25
min. diameter tension roller on backside	18	30	80	150
Polyamide fabric on tooth side PAZ		x	x	x
Polyamide fabric on backside PAR		x	x	x
Polyamide fabric on both sides PAZ/PAR		x	x	x
FDA/EU approved (Kevlar cord)		x	x	
antistatic version available PAZ / PAR		x	x	

AT pitches



	AT3	AT5	AT5L	AT10	AT10L	AT20	AT20L
min. length -V in mm	649	340		380		1000	
Slitting lane mm		16 / 25	25	16 / 25		25	
Full roll length in m	100	100	100	100	100	50	50
min.teeth without contra-flexure Zmin	15	15	15	15	25	18	30
min.diameter tension roller on tooth side	20	25	30	50	80	120	200
min.teeth with contra-flexure Zmin	20	25	25	25	35	25	40
min. diameter tension roller on backside	20	60	60	120	150	180	250
Polyamide fabric on tooth side PAZ		x	x	x	x	x	x
Polyamide fabric on backside PAR		x	x	x	x	x	x
Polyamide fabric on both sides PAZ/PAR		x	x	x	x	x	x
FDA/EU approved (Kevlar cord)		x		x			
antistatic version available PAZ / PAR		x					

Inch pitch sizes



	XL	L	H	XH
min. length -V in mm	508	508	508	1000
Slitting lane mm	25,4	25,4	25,4	25,4
Full roll length in m	100	100	100	50
min.teeth without contra-flexure Zmin	15	15	14	18
min.diameter tension roller on tooth side	30	60	60	150
min.teeth with contra-flexure Zmin	18	20	20	25
min. diameter tension roller on backside	30	60	80	180
Polyamide fabric on tooth side PAZ	x	x	x	x
Polyamide fabric on backside PAR	x	x	x	x
Polyamide fabric on both sides PAZ/PAR	x	x	x	x
FDA/EU approved (Kevlar cord)				x

HTD/STD pitches

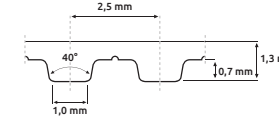


	HTD5M	HTD8M	HTDL8	HTD14	HTDL14M	STD5	STD8
min. length -V in mm	480	480		1000		480	960
Slitting lane mm	25	25		55		25	20 / 30
Full roll length in m	100	100	100	50	50	100	100
min.teeth without contra-flexure Zmin	16	18	32	25	36	14	20
min.diameter tension roller on tooth side	25	50	80	125	160	22	50
min.teeth with contra-flexure Zmin	20	25	40	35	40	20	26
min. diameter tension roller on backside	60	120	150	200	250	60	120
Polyamide fabric on tooth side PAZ	x	x	x	x	x	x	x
Polyamide fabric on backside PAR	x	x	x	x	x	x	x
Polyamide fabric on both sides PAZ/PAR	x	x	x	x	x	x	x

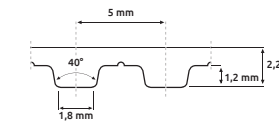
x = Standard-belt width

T pitches

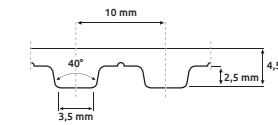
T 2,5



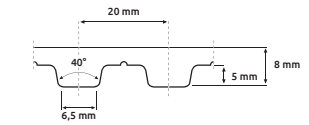
T 5



T 10



T 20



Pitch	Standard width	max. width	Specific belt weight				Ultimate tensile strength				Allowable belt force open ended				Allowable belt force endless welded				Allowable effective force
			msp (kg/m/mm)				Fbreak (N)				F1all (N)				F1all (N)				
	mm	mm	Steel	Aramid	HF	stain-less steel	Steel	Aramid	HF	stain-less steel	Steel	Ara-mid	HF	stain-less steel	Steel	Ara-mid	HF	stain-less steel	min. Z15
T2,5	10	20	0,0014				410				100				50				
T2,5	16	20	0,0014				610				150				75				
T2,5	20	20	0,0014				820				200				100				
T5	10	150	0,0022	0,0020			1250	3162			311	346			156	259			356
T5	16	150	0,0022	0,0020			2000	5245			498	574			249	430			570
T5	25	150	0,0022	0,0020			3375	8370			840	916			420	687			890
T5	32	150	0,0022	0,0020			4250	10800			1058	1181			529	886			1139
T5	50	150	0,0022	0,0020			6875	17050			1711	1865			856	1399			1780
T5	75	150	0,0022	0,0020			10375	25730			2582	2814			1291	2111			2670
T5	100	150	0,0022	0,0020			13875	34410			3453	3764			1727	2823			3560
T10	12	150	0,0044	0,0036	0,0047		2940	3601	4340		786	474	964		393	355	482		811
T10	16	150	0,0044	0,0036	0,0047		4200	4980	6200		1123	655	1376		561	491	688		1082
T10	25	150	0,0044	0,0036	0,0047		7140	8085	10540		1909	1064	2340		954	798	1170		1690
T10	32	150	0,0044	0,0036	0,0047		9240	10500	13640		2470	1381	3028		1235	1036	1514		2163
T10	40	150	0,0044	0,0036	0,0047		11340	13259	16740		3031	1744	3716		1516	1308	1858		2704
T10	50	150	0,0044	0,0036	0,0047		14700	16709	21700		3929	2189	4818		1965	1648	2409		3380
T10	75	150	0,0044	0,0036	0,0047		22260	25333	32860		5950	3332	7295		2975	2499	3648		5070
T10	100	150	0,0044	0,0036	0,0047		29820	33957	44020		7971	4467	9773		3985	3350	4886		6760
T10	150	150	0,0044	0,0036	0,0047		44940	51205	66340		12012	6736	14728		6006	5052	7364		10140
T20	25	150	0,0075	0,0059	0,0072	0,0074	14250	16185	12975	10688	3741	1750	3456	2806	1871	1313	1728	1403	3160
T20	32	150	0,0075	0,0059	0,0072	0,0074	18050	21019	16435	13538	4739	2273	4378	3554	2369	1705	2189	1777	4025
T20	50	150	0,0075	0,0059	0,0072	0,0074	29450	33449	26815	22088	7731	3617	7142	5799	3866	2713	3571	2899	6320
T20	75	150	0,0075	0,0059	0,0072	0,0074	44650	50713	40655	33488	11722	5483	10829	8791	5861	4113	5414	4396	9480
T20	100	150	0,0075	0,0059	0,0072	0,0074	59850	67977	54495	44888	15712	7350	14515	11784	7856	5513	7258	5892	12640
T20	150	150	0,0075	0,0059	0,0072	0,0074	90250	102505	82175	67688	23693	11083	21888	17770	11847	8313	10944	8885	18960



AT 5	
Length	Teeth
225	45
255	51
275	55
280	56
300	60
330	66
340	68
375	75
390	78
420	84
450	90
455	91
480	96
500	100
525	105
545	109
600	120
610	122
620	124
630	126
660	132
670	134
710	142
720	144
750	150
780	156
825	165
860	172
975	195
1050	210
1125	225
1500	300
2000	400

AT 20	
Length	Teeth
1000	50

AT 10	
Length	Teeth
370	37
500	50
530	53
560	56
580	58
600	60
610	61
630	63
660	66
700	70
730	73
780	78
800	80
810	81
840	84
880	88
890	89
920	92
960	96
980	98
1000	100
1010	101
1050	105
1080	108
1100	110
1150	115
1190	119
1200	120
1210	121
1220	122
1230	123
1240	124
1250	125
1280	128
1300	130
1320	132
1350	135
1360	136
1400	140
1420	142
1480	148
1500	150
1600	160
1630	163
1700	170
1720	172
1800	180
1860	186
1940	194

T 2,5 DL	
Length	Teeth
457,5	183

T 5 DL	
Length	Teeth
300	60
350	70
400	80
410	82
450	90
460	92
480	96
500	100
515	103
525	105
550	110
590	118
600	120
620	124
650	130
685	137
700	140
750	150
800	160
815	163
840	168
860	172
900	180
940	188
1100	220

T 10 DL	
Length	Teeth
260	26
530	53
600	60
630	63
660	66
700	70
720	72
750	75
800	80
840	84
900	90
920	92
980	98
1010	101
1100	110
1150	115
1240	124
1250	125
1320	132
1350	135
1400	140
1420	142
1500	150
1600	150
1610	161
1700	170
1800	180
1880	188



MXL		
Type	Length	Teeth
480MXLPU	121,9	60
560MXLPU	142,2	70
576MXLPU	146,3	72
600MXLPU	152,4	75
608MXLPU	154,4	76
632MXLPU	160,5	79
640MXLPU	162,5	80
656MXLPU	166,6	82
704MXLPU	178,8	88
728MXLPU	184,9	91
736MXLPU	186,9	92
768MXLPU	195,1	96
808MXLPU	205,2	101
816MXLPU	207,2	102
824MXLPU	209,2	103
840MXLPU	213,4	105
880MXLPU	223,5	110
912MXLPU	231,6	114
944MXLPU	239,7	118
960MXLPU	243,8	120
1040MXLPU	264,1	130
1056MXLPU	268,2	132
1080MXLPU	274,3	135
1120MXLPU	284,4	140
1160MXLPU	294,6	145
1200MXLPU	304,8	150
1240MXLPU	314,9	155
1400MXLPU	355,6	175
1520MXLPU	386,1	190
1600MXLPU	406,4	200
1768MXLPU	449,1	221
2048MXLPU	520,1	256
2240MXLPU	568,9	280
2280MXLPU	579,1	285
2464MXLPU	625,8	308
2656MXLPU	674,6	332
2816MXLPU	715,2	352
2880MXLPU	731,5	360
3160MXLPU	802,6	395
3240MXLPU	822,9	405
3296MXLPU	837,1	412
3456MXLPU	877,8	432
3632MXLPU	922,5	454
3880MXLPU	985,5	485

XL		
Type	Length	Teeth
60XLP	152,40	30
70XLP	177,80	35
76XLP	193,00	38
80XLP	203,20	40
84XLP	213,36	42
90XLP	228,60	45
94XLP	238,76	47
96XLP	243,84	48
100XLP	254,00	50
102XLP	259,08	51
104XLP	264,16	52
106XLP	269,24	53
110XLP	279,40	55
114XLP	289,56	57
116XLP	294,64	58
120XLP	304,80	60
124XLP	314,96	62
126XLP	320,04	63
128XLP	325,12	64
130XLP	330,20	65
134XLP	340,30	67
136XLP	345,44	68
140XLP	355,60	70
150XLP	381,00	75
152XLP	386,08	76
154XLP	391,16	77
160XLP	406,40	80
166XLP	421,64	83
168XLP	426,72	84
170XLP	431,80	85
180XLP	457,20	90
186XLP	472,44	93
190XLP	482,60	95
194XLP	492,70	97
200XLP	508,00	100
210XLP	533,40	105
212XLP	538,48	106
220XLP	558,80	110
230XLP	584,20	115
240XLP	609,60	120
250XLP	635,00	125
254XLP	645,16	127
260XLP	660,40	130
270XLP	685,80	135
288XLP	731,50	144
290XLP	736,60	145
300XLP	762,00	150
320XLP	812,80	160
330XLP	838,20	165
356XLP	904,20	178
360XLP	914,40	180
376XLP	955,04	188
384XLP	975,36	192
390XLP	990,60	195
414XLP	1051,50	207
450XLP	1143,00	225
460XLP	1168,40	230
480XLP	1219,20	240
512XLP	1300,48	256
550XLP	1397,00	275
564XLP	1432,56	282
566XLP	1437,60	283
630XLP	1600,20	315
670XLP	1701,80	335

L		
Type	Length	Teeth
86LPU	219,0	23
124LPU	314,3	33
150LPU	381,0	40
173LPU	438,1	46
187LPU	476,2	50
202LPU	514,4	54
210LPU	533,4	56
225LPU	571,5	60
240LPU	609,6	64
255LPU	647,7	68
270LPU	685,8	72
285LPU	723,9	76
300LPU	762,0	80
322LPU	819,1	86
345LPU	876,3	92
367LPU	933,4	98
390LPU	990,6	104
420LPU	1066,8	112
450LPU	1143,0	120
480LPU	1219,2	128
510LPU	1295,4	136
540LPU	1371,6	144
570LPU	1447,8	152
600LPU	1524,0	160

H		
Type	Length	Teeth
230HPU	584,2	46
240HPU	609,6	48
270HPU	685,8	54
300HPU	762,0	60
330HPU	838,2	66
360HPU	914,4	72
390HPU	990,6	78
420HPU	1066,8	84
450HPU	1143,0	90
480HPU	1219,2	96
510HPU	1295,4	102

Length in mm
Max. belt width 400 mm
Further dimensions on request.

Length in mm
Max. belt width 300 mm
Further dimensions on request.



Polyurethane wide timing belts

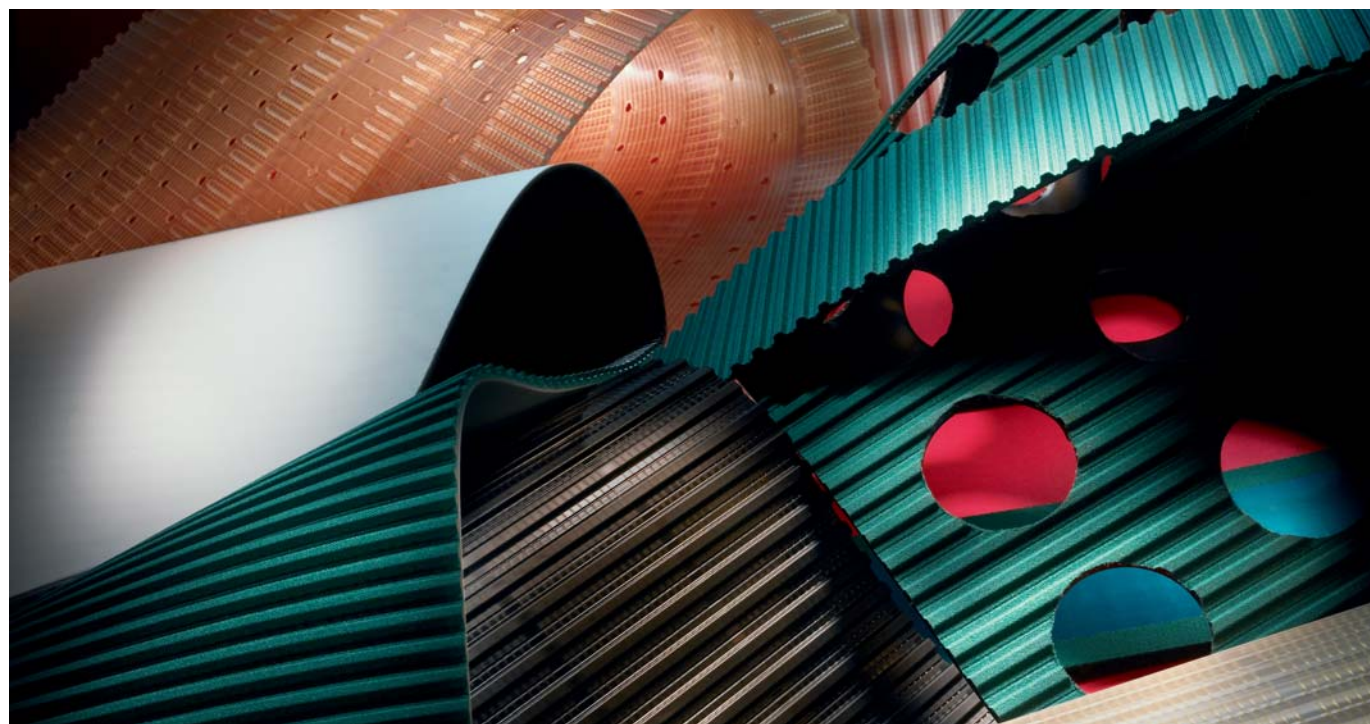
easy drive® PU wide timing belts are made of abrasion-resistant polyurethane and high-strength aramid cords in widths up to 900mm. These timing belts are specially designed for synchronous transport applications. In view of the production width as well as outstanding mechanical and chemical properties, they can be used for many applications. Moreover, it is possible to use special materials such as, for example, polyurethane that is suitable for contact with foodstuffs, or a nylon coating on the tooth facing and back side.

Properties and special features:

- high-strength aramid tension cords
- parallel arrangement of tension cords for even distribution of tension
- form-fit, synchronous running
- low-noise, high abrasion resistance and flexibility
- different types of polymers are available, e.g. FDA approved
- large selection of coatings, profiles/cleats
- low shaft loading
- high acceleration without slippage
- easy to clean

Applications:

- as a substitute for transport belts for synchronous positioning
- applications in the foodstuffs industry
- sausage, meat and cheese processing
- conveying of bulk goods
- automatic production processes
- instead of modular transport belts



General

	WT5	WT10	WH
Tension cord	Kevlar	Kevlar	Kevlar
Colour	blue	transparent / blue	transparent
min. length -V in mm	1000	1100	1105
Slitting lane mm		64	63,5
Full roll length in m	100	60	61
min. teeth without contra-flexure Zmin	10	14	14
min. diameter tension roller on tooth side mm	30	60	60
min.teeth with contra-flexure Zmin	20	20	20
min.diameter tension roller on backside mm	50	80	80
Polyamide fabric on tooth side PAZ		x	x
Polyamide fabric on backside PAR		x	x
Polyamide fabric on both sides PAZ/PAR		x	x
FDA/EU approved (Kevlar cord)	x	x	x

Technical specifications

Pitch	Standard width	max. width	Specific belt weight	Ultimate tensile strength	Allowable belt force open ended	Allowable belt force endless welded	Allowable effective force
	mm	mm	kg/m/mm	Fbreak (N)	F1all (N)	F1all (N)	Feall
WT5	200	500	0,0025	14800	4200	3150	
WT5	300	500	0,0025	22200	6300	4725	
WT10	150	500	0,0039	21021	3180	2385	7500
WT10	200	500	0,0039	28028	4240	3180	10000
WT10	250	500	0,0039	35574	5300	3975	12500
WT10	300	500	0,0039	42581	6360	4770	15000
WT10	450	500	0,0039	64141	9540	7155	22500
WH	152,4	500	0,0033	21021	3180	2385	8820
WH	203,2	500	0,0033	28028	4240	3180	11760
WH	254	500	0,0033	35574	5300	3975	14700
WH	304,8	500	0,0033	42581	6360	4770	17640
WH	457,2	500	0,0033	64141	9540	7155	26460



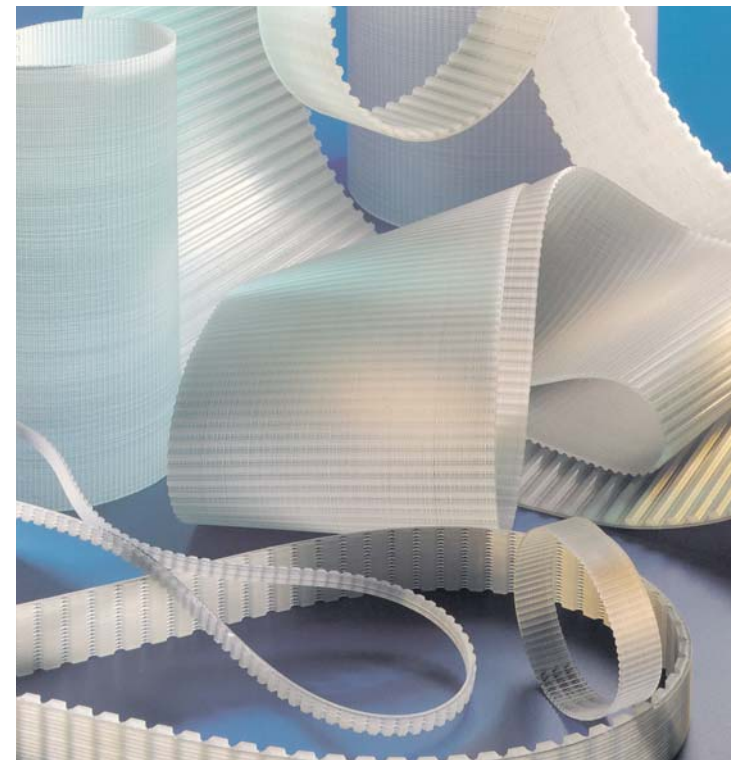
Polyurethane Flex timing belts

easy drive® PU Flex timing belts are extruded of abrasion-resistant polyurethane and high-strength steel cords, aramid cords or high flexible steel cords and VA steel with endless winded cords. In these belts the cords are helically spooled. These timing belts can be used for all kinds of power transmission applications because of their high power transfer, and their high flexibility make them suitable for synchronous transport and positioning applications. By using standard polyurethane and such other belt materials as polyurethane that is cold resistant, heat resistant or suitable for contact with foodstuffs a wide spectrum of applications is possible.

- Cords**
- Standard steel
 - Special designs with aramid, high-flexible steel HF, reinforced steel L and stainless steel available upon request

- Special designs**
- double-sided tothing as of 1500mm length
 - antistatic properties
 - foodstuff-resistant PU compound
 - polyamide fabric on tooth facing PAZ

- Applications**
- heavy load tasks
 - high power transfer
 - Foil machines
 - Textile industry
 - Conveyor systems
 - Wood and glass industries



	T5	T10	T20	AT5	AT10	AT20
min. length in mm up to 100 mm length	800	800	900	800	800	900
min. length in mm up to 150 mm length	1500	1500	1500	1500	1500	1500
max. length in mm	23500	23500	23500	23500	23500	23500
Width tolerance +/- in mm	0,5	0,5	1	0,5	0,5	1
Thickness tolerance +/- in mm	0,2	0,2	0,2	0,2	0,2	0,2
min. teeth without contra-flexure Zmin	10	14	15	15	15	18
min. diameter tension roller on tooth side mm	30	60	120	25	50	120
min. teeth with contra-flexure Zmin	18	20	25	20	25	25
min.diameter tension roller on backside mm	30	60	120	50	120	180
Double sided tothing available	x	x	x	x	x	x

	XL	L	H	XH
min. length in mm up to 100 mm length	800	800	800	1500
min. length in mm up to 150 mm length				1500
max. length in mm	22758	22758	22758	22758
Width tolerance +/- in mm	0,5	0,5	0,5	1
Thickness tolerance +/- in mm	0,2	0,2	0,2	0,2
min. teeth without contra-flexure Zmin	15	15	14	18
min. diameter tension roller on tooth side mm	30	60	60	150
min. teeth with contra-flexure Zmin	18	20	20	25
min.diameter tension roller on backside mm	30	60	80	180
Double sided tothing available		x	x	

	HTD5M	HTD8M	HTD14M	STD5	STD8	STD14
min. length in mm up to 100 mm length	800	800	1500	800	1500	1500
min. length in mm up to 150 mm length	1500	1500	1500	1500	1500	
max. length in mm	22768	22768	22768	22768	22768	22768
Width tolerance +/- in mm	0,5	1	1,5	0,5	1	1,5
Thickness tolerance +/- in mm	0,2	0,2	0,2	0,2	0,2	0,2
min. teeth without contra-flexure Zmin	16	18	25	14	20	32
min. diameter tension roller on tooth side mm	25	50	125	22	50	140
min. teeth with contra-flexure Zmin	16	18	25	14	20	32
min.diameter tension roller on backside mm	60	120	180	60	120	250
Double sided tothing available	x	x	x		x	



Neoprene timing belts, produced in sophisticated manufacturing processes with state-of-the-art production technology, are made of chloroprene rubber with glass-fiber cords and protective fabric covering on the running surface. Based on the combination of these materials, the timing belts can be used as high-speed and high load-capacity machine drives with constant revolutions. Moreover, they are maintenance-free. Neoprene timing belts are designed for high performance, precise running properties and high operation reliability. They have outstanding mechanical, chemical and physical properties.



easy drive® Neoprene timing belts are available in open length and endless sleeves in nearly all lengths and width sizes. The guiding groove on the tooth side is milled subsequently.



easy drive® timing belts endless (sleeve) are vulcanized in special molds. These types of belts have very accurate pitch sizes along the entire belt and are particularly suitable for smooth running and high driving speeds.



easy drive® Neoprene timing belts "M" open length
Open length timing belts are preferably used in linear applications. They are available with glass-fiber cords or metal cords.



Imperial profile
Inch pitch sizes
MXL = 2,032 mm
XL = 5,08 mm
L = 9,525 mm
H = 12,7 mm
XH = 22,225 mm
XXH = 31,75 mm



Double imperial profile
Inch pitch sizes
DXL = 5,08 mm
DL = 9,525 mm
DH = 12,7 mm



RPP/STD profile
2M, 3M, 5M, 8M, 14M, 20M



HTD profile
3M, 5M, 8M, 14M, 20M



Double RPP / HTD profile
D5M, D8M, D14M
D5M, D8M, D14M



STD profile
S2M, S3M, S5M, S8M, S14M



Double STD profile
DS2M, DS3M, DS8M, DS14M



MXL Pitch 2,032 mm		
Type	Length	Teeth
456	115,82	57
464	117,86	58
480	121,92	60
488	123,95	61
536	136,14	67
544	138,18	68
560	142,24	70
568	144,27	71
576	146,30	72
600	152,40	75
608	154,43	76
632	160,53	79
640	162,56	80
656	166,62	82
664	168,66	83
672	170,69	84
680	172,72	85
704	178,82	88
720	182,88	90
728	184,91	91
736	186,94	92
752	191,01	94
760	193,04	95
776	197,10	97
800	203,20	100
808	205,23	101
816	207,26	102
824	209,30	103
840	213,36	105
848	215,39	106
856	217,42	107
864	219,46	108
880	223,52	110
896	227,58	112
904	229,62	113
912	231,65	114
920	233,68	115
944	239,80	118
952	241,80	119
960	243,84	120
976	247,90	122
984	249,94	123
1000	254,00	125
1008	256,03	126
1016	258,10	127
1040	264,16	130
1056	268,22	132

MXL Pitch 2,032 mm		
Type	Length	Teeth
1072	272,29	134
1080	274,32	135
1112	282,45	139
1120	284,48	140
1136	288,54	142
1176	298,70	147
1184	300,74	148
1200	304,80	150
1224	310,90	153
1272	323,09	159
1280	325,12	160
1320	335,28	165
1360	345,44	170
1400	355,60	175
1440	365,76	180
1472	373,89	184
1520	386,08	190
1560	396,24	195
1600	406,40	200
1680	426,70	210
1696	430,80	212
1786	449,07	221
1800	457,20	225
1832	465,30	229
1856	471,40	232
1888	479,55	236
1984	503,94	248
1992	505,97	249
2008	510,03	251
2048	520,19	256
2144	544,58	268
2240	568,96	280
2360	599,40	295
2384	605,54	298
2480	629,92	310
2496	634,00	312
2520	640,08	315
2584	656,30	323
2680	680,72	335
2776	705,10	347
2864	727,50	358
2880	731,52	360
2920	741,68	365
2976	755,90	372
3024	768,10	378
3064	778,30	383
3104	788,40	388
3200	812,80	400

MXL Pitch 2,032 mm		
Type	Length	Teeth
3296	837,20	412
3424	869,70	428
3472	881,89	434
3480	883,90	435
3520	894,10	440
3624	920,50	453
3632	922,50	454
3704	940,82	463
3944	1001,80	493
3984	1011,90	498
4000	1016,00	500
4040	1026,16	505
4064	1032,30	508
4200	1066,80	525
4280	1087,10	535
4320	1097,30	540
4456	1131,80	557
4736	1202,90	592
4800	1219,20	600
5224	1326,98	653

Standard widths
 3/4" ~ 19,05 mm Code no. 075
 1" ~ 25,40 mm Code no. 100
 1 1/2" ~ 38,10 mm Code no. 150
 2" ~ 50,80 mm Code no. 200
 3" ~ 76,20 mm Code no. 300
 4" ~ 101,6 mm Code no. 400
 5" ~ 127,0 mm Code no. 500

Length in mm
 Other width available
 Max. belt width ~ 470 mm.



XL Pitch 5,08 mm		
Type	Length	Teeth
54	137,20	27
60	152,40	30
70	177,80	35
80	203,20	40
86	218,44	43
88	223,52	44
90	228,60	45
92	233,68	46
94	238,76	47
96	243,84	48
98	248,90	49
100	254,00	50
102	259,08	51
104	264,20	52
106	269,24	53
108	274,32	54
110	279,40	55
112	284,48	56
116	294,64	58
118	299,72	59
120	304,80	60
124	314,96	62
126	320,04	63
128	325,12	64
130	330,20	65
134	340,36	67
136	345,44	68
138	350,52	69
140	355,60	70
142	360,68	71
146	370,80	73
148	375,92	74
150	381,00	75
156	396,24	78
160	406,40	80
162	411,48	81
166	421,40	83
168	426,72	84
170	431,80	85
174	441,96	87
176	447,04	88
178	452,12	89
180	457,20	90
182	462,28	91
184	467,36	92
188	477,52	94
190	482,60	95

XL Pitch 5,08 mm		
Type	Length	Teeth
192	487,68	96
194	492,76	97
196	497,84	98
198	502,90	99
200	508,00	100
202	513,10	101
210	533,40	105
212	538,50	106
214	543,60	107
220	558,80	110
228	579,10	114
230	584,20	115
234	594,40	117
240	609,60	120
244	619,76	122
248	629,92	124
250	635,00	125
260	660,40	130
270	685,80	135
272	690,88	136
274	695,96	137
276	701,00	138
280	711,20	140
286	726,44	143
290	736,60	145
296	751,84	148
300	762,00	150
306	777,24	153
310	787,40	155
316	802,64	158
320	812,80	160
322	817,88	161
330	838,20	165
340	863,60	170
344	873,76	172
350	889,00	175
360	914,40	180
380	965,20	190
382	970,28	191
388	985,52	194
390	990,60	195
392	995,68	196
412	1046,48	206
414	1051,56	207
432	1097,28	216
434	1102,36	217
438	1112,52	219

XL Pitch 5,08 mm		
Type	Length	Teeth
460	1168,40	230
498	1264,92	249
506	1285,24	253
514	1305,56	257
530	1346,20	265
580	1473,20	290
600	1524,00	300
630	1600,20	315
710	1803,40	355

Standard widths
 3/4" ~ 19,05 mm Code no. 075
 1" ~ 25,40 mm Code no. 100
 1 1/2" ~ 38,10 mm Code no. 150
 2" ~ 50,80 mm Code no. 200
 3" ~ 76,20 mm Code no. 300
 4" ~ 101,6 mm Code no. 400
 5" ~ 127,0 mm Code no. 500

Length in mm
 Other width available
 Max. belt width ~ 470 mm.



L Pitch 9,525 mm		
Type	Length	Teeth
109	276,23	29
124	314,33	33
150	381,00	40
165	419,10	44
169	428,63	45
173	438,15	46
187	476,25	50
202	514,40	54
210	533,40	56
225	571,50	60
232	590,55	62
236	600,08	63
240	609,60	64
255	647,70	68
263	666,75	70
270	685,80	72
285	723,90	76
300	762,00	80
322	819,15	86
334	848,40	89
345	876,30	92
360	914,40	96
367	933,45	98
375	952,50	100
390	990,60	104
405	1028,70	108
420	1066,80	112
424	1076,33	113
427	1085,85	114
435	1104,90	116
439	1114,43	117
450	1143,00	120
454	1152,53	121
480	1219,20	128
510	1295,40	136
525	1333,50	140
540	1371,60	144
600	1524,00	160
630	1600,20	168
660	1676,40	176
728	1847,90	194
817	2076,50	218

H Pitch 12,7 mm		
Type	Length	Teeth
230	584,20	46
240	609,60	48
255	647,70	51
270	685,80	54
280	711,20	56
300	762,00	60
310	787,40	62
315	800,10	63
320	812,80	64
330	838,20	66
335	850,90	67
340	863,60	68
350	889,00	70
360	914,40	72
370	939,80	74
375	952,50	75
390	990,60	78
400	1016,00	80
410	1041,40	82
420	1066,80	84
430	1092,20	86
450	1143,00	90
465	1181,10	93
480	1219,20	96
490	1244,60	98
510	1295,40	102
520	1320,80	104
530	1346,20	106
540	1371,60	108
560	1422,40	112
570	1447,80	114
580	1473,20	116
600	1524,00	120
630	1600,20	126
650	1651,00	130
660	1676,40	132
670	1701,80	134
680	1727,20	136
700	1778,00	140
720	1828,80	144
725	1841,50	145
730	1854,20	146
750	1905,00	150
770	1955,80	154
800	2032,00	160
810	2057,40	162
820	2082,80	164
850	2159,00	170
860	2184,40	172

H Pitch 12,7 mm		
Type	Length	Teeth
900	2286,00	180
950	2413,00	190
1000	2540,00	200
1100	2794,00	220
1120	2844,80	224
1140	2895,60	228
1150	2921,00	230
1250	3175,00	250
1400	3556,00	280
1645	4178,30	329
1700	4318,00	340

XH Pitch 22,225 mm		
Type	Length	Teeth
507	1289,05	58
534	1356,40	61
560	1422,40	64
630	1600,20	72
700	1778,00	80
770	1955,80	88
840	2133,60	96
980	2489,20	112
1120	2844,80	128
1260	3200,40	144
1400	3556,00	160
1540	3911,60	176
1750	4445,00	200

XXH Pitch 31,75 mm		
Type	Length	Teeth
700	1778,00	56
800	2032,00	64
900	2286,00	72
1000	2540,00	80
1200	3048,00	96
1400	3556,00	112
1600	4064,00	128
1800	4572,00	144

Standard widths
 3/4" ~ 19,05 mm Code no. 075
 1" ~ 25,40 mm Code no. 100
 1 1/2" ~ 38,10 mm Code no. 150
 2" ~ 50,80 mm Code no. 200
 3" ~ 76,20 mm Code no. 300
 4" ~ 101,6 mm Code no. 400
 5" ~ 127,0 mm Code no. 500

Length in mm
 Other width available
 Max. belt width ~ 470 mm.



DXL Pitch 5,08 mm		
Type	Length	Teeth
120	304,80	60
130	330,20	65
140	355,60	70
146	370,80	73
150	381,00	75
156	396,20	78
160	406,40	80
170	431,80	85
176	447,00	88
180	457,20	90
182	462,30	91
188	477,50	94
190	482,60	95
198	502,90	99
200	508,00	100
202	513,10	101
210	533,40	105
212	538,50	106
214	543,60	107
220	558,80	110
228	579,10	114
230	584,20	115
234	594,40	117
240	609,60	120
250	635,00	125
260	660,40	130
270	685,80	135
276	701,00	138
280	711,20	140
290	736,60	145
300	762,00	150
310	787,40	155
316	802,60	158
320	812,80	160
330	838,20	165
344	873,80	172
352	894,10	176
364	924,60	182
380	965,20	190
384	975,40	192
388	985,50	194
390	990,60	195
392	995,70	196
434	1102,40	217
460	1168,40	230
530	1346,20	265
600	1524,00	300
710	1803,40	355

DL Pitch 9,525 mm		
Type	Length	Teeth
124	314,30	33
135	342,90	36
150	381,00	40
173	438,20	46
187	476,25	50
202	514,40	54
210	533,40	56
225	571,50	60
240	609,60	64
255	647,70	68
270	685,80	72
285	723,90	76
300	762,00	80
322	819,15	86
345	876,30	92
367	933,45	98
390	990,60	104
405	1028,70	108
412	1047,70	110
420	1066,80	112
450	1143,00	120
480	1219,20	128
510	1295,40	136
540	1371,60	144
600	1524,00	160
728	1847,90	194
817	2076,50	218

DH Pitch 12,7 mm		
Type	Length	Teeth
240	609,60	48
270	685,80	54
300	762,00	60
330	838,20	66
360	914,40	72
390	990,60	78
420	1066,80	84
450	1143,00	90
480	1219,20	96
510	1295,40	102
540	1371,60	108
570	1447,80	114
600	1524,00	120
630	1600,20	126
660	1676,40	132
670	1701,80	134
700	1778,00	140
725	1841,50	145
750	1905,00	150
800	2032,00	160
850	2159,00	170
900	2286,00	180
1000	2540,00	200
1100	2794,00	220
1120	2844,80	224
1140	2895,60	228
1150	2921,00	230
1250	3175,00	250
1400	3556,00	280
1645	4178,30	329
1700	4318,00	340

Standard widths
 1" ~ 25,40 mm Code no. 100
 1 1/2" ~ 38,10 mm Code no. 150
 2" ~ 50,80 mm Code no. 200
 3" ~ 76,20 mm Code no. 300
 4" ~ 101,6 mm Code no. 400
 5" ~ 127,0 mm Code no. 500

Length in mm
 Other width available
 Max. belt width ~ 203/305 mm.



3M Pitch 3 mm		
Type	Length	Teeth
111	111,00	37
117	117,00	39
120	120,00	40
123	123,00	41
126	126,00	42
129	129,00	43
141	141,00	47
144	144,00	48
150	150,00	50
156	156,00	52
159	159,00	53
165	165,00	55
168	168,00	56
171	171,00	57
174	174,00	58
177	177,00	59
180	180,00	60
183	183,00	61
186	186,00	62
192	192,00	64
195	195,00	65
201	201,00	67
204	204,00	68
207	207,00	69
210	210,00	70
213	213,00	71
216	216,00	72
225	225,00	75
237	237,00	79
240	240,00	80
243	243,00	81
246	246,00	82
249	249,00	83
252	252,00	84
255	255,00	85
267	267,00	89
276	276,00	92
282	282,00	94
285	285,00	95

3M Pitch 3 mm		
Type	Length	Teeth
288	288,00	96
291	291,00	97
294	294,00	98
300	300,00	100
306	306,00	102
312	312,00	104
315	315,00	105
318	318,00	106
330	330,00	110
333	333,00	111
336	336,00	112
339	339,00	113
345	345,00	115
357	357,00	119
363	363,00	121
366	366,00	122
384	384,00	128
390	390,00	130
411	411,00	137
420	420,00	140
426	426,00	142
435	435,00	145
447	447,00	149
462	462,00	154
474	474,00	158
477	477,00	159
480	480,00	160
486	486,00	162
489	489,00	163
495	495,00	165
501	501,00	167
513	513,00	171
519	519,00	173
522	522,00	174
525	525,00	175
531	531,00	177
537	537,00	179
558	558,00	186
564	564,00	188

3M Pitch 3 mm		
Type	Length	Teeth
570	570,00	190
582	582,00	194
591	591,00	197
594	594,00	198
597	597,00	199
600	600,00	200
606	606,00	202
612	612,00	204
615	615,00	205
633	633,00	211
648	648,00	216
669	669,00	223
672	672,00	224
675	675,00	225
708	708,00	236
711	711,00	237
738	738,00	246
753	753,00	251
804	804,00	268
816	816,00	272
843	843,00	281
882	882,00	294
888	888,00	296
945	945,00	315
960	960,00	320
1041	1041,00	347
1062	1062,00	354
1068	1068,00	356
1071	1071,00	357
1125	1125,00	375
1176	1176,00	392
1245	1245,00	415
1263	1263,00	421
1500	1500,00	500
1530	1530,00	510
1569	1569,00	523
1587	1587,00	529
1692	1692,00	564
1863	1863,00	621

Length in mm
Max. belt width ~ 470 mm.



5M Pitch 5 mm		
Type	Length	Teeth
120	120,00	24
180	180,00	36
225	225,00	45
255	255,00	51
265	265,00	53
270	270,00	54
280	280,00	56
295	295,00	59
300	300,00	60
305	305,00	61
325	325,00	65
330	330,00	66
340	340,00	68
345	345,00	69
350	350,00	70
360	360,00	72
365	365,00	73
370	370,00	74
375	375,00	75
385	385,00	77
400	400,00	80
415	415,00	83
420	420,00	84
425	425,00	85
450	450,00	90
460	460,00	92
475	475,00	95
490	490,00	98
500	500,00	100
520	520,00	104
525	525,00	105
535	535,00	107
540	540,00	108
550	550,00	110
560	560,00	112
565	565,00	113
575	575,00	115
580	580,00	116
600	600,00	120
610	610,00	122
615	615,00	123
620	620,00	124
625	625,00	125
630	630,00	126
635	635,00	127
640	640,00	128
645	645,00	129
650	650,00	130
655	655,00	131
665	665,00	133
670	670,00	134

5M Pitch 5 mm		
Type	Length	Teeth
700	700,00	140
710	710,00	142
720	720,00	144
740	740,00	148
745	745,00	149
750	750,00	150
755	755,00	151
775	775,00	155
790	790,00	158
800	800,00	160
810	810,00	162
825	825,00	165
830	830,00	166
835	835,00	167
845	845,00	169
850	850,00	170
860	860,00	172
870	870,00	174
890	890,00	178
900	900,00	180
920	920,00	184
925	925,00	185
935	935,00	187
940	940,00	188
950	950,00	190
960	960,00	192
965	965,00	193
975	975,00	195
980	980,00	196
1000	1000,00	200
1025	1025,00	205
1035	1035,00	207
1050	1050,00	210
1100	1100,00	220
1125	1125,00	225
1135	1135,00	227
1200	1200,00	240
1270	1270,00	254
1380	1380,00	276
1400	1400,00	280
1420	1420,00	284
1425	1425,00	285
1500	1500,00	300
1595	1595,00	319
1690	1690,00	338
1790	1790,00	358
1800	1800,00	360
1870	1870,00	374
1895	1895,00	379
1910	1910,00	382
2000	2000,00	400
2110	2110,00	422
2250	2250,00	450
2350	2350,00	470
2525	2525,00	505

8M Pitch 8 mm		
Type	Length	Teeth
288	288,00	36
320	320,00	40
352	352,00	44
376	376,00	47
416	416,00	52
424	424,00	53
480	480,00	60
512	512,00	64
520	520,00	65
536	536,00	67
560	560,00	70
576	576,00	72
584	584,00	73
600	600,00	75
608	608,00	76
624	624,00	78
632	632,00	79
640	640,00	80
656	656,00	82
672	672,00	84
680	680,00	85
712	712,00	89
720	720,00	90
744	744,00	93
760	760,00	95
776	776,00	97
784	784,00	98
792	792,00	99
800	800,00	100
824	824,00	103
840	840,00	105
848	848,00	106
856	856,00	107
880	880,00	110
896	896,00	112
912	912,00	114
920	920,00	115
936	936,00	117
960	960,00	120
968	968,00	121
976	976,00	122
1000	1000,00	125
1040	1040,00	130
1056	1056,00	132
1064	1064,00	133
1080	1080,00	135
1096	1096,00	137
1120	1120,00	140
1128	1128,00	141
1152	1152,00	144
1160	1160,00	145
1168	1168,00	146
1184	1184,00	148
1192	1192,00	149
1200	1200,00	150
1216	1216,00	152
1224	1224,00	153
1248	1248,00	156

Length in mm
Max. belt width ~ 470 mm.



8M Pitch 8 mm		
Type	Length	Teeth
1256	1256	157
1264	1264	158
1280	1280	160
1296	1296	162
1304	1304	163
1320	1320	165
1328	1328	166
1344	1344	168
1360	1360	170
1392	1392	174
1400	1400	175
1424	1424	178
1432	1432	179
1440	1440	180
1480	1480	185
1520	1520	190
1552	1552	194
1584	1584	198
1600	1600	200
1680	1680	210
1696	1696	212
1728	1728	216
1760	1760	220
1800	1800	225
1896	1896	237
1904	1904	238
1936	1936	242
2000	2000	250
2080	2080	260
2104	2104	263
2240	2240	280
2248	2248	281
2272	2272	284
2400	2400	300
2504	2504	313
2600	2600	325
2800	2800	350
3048	3048	381
3280	3280	410
3600	3600	450
4400	4400	550

14M Pitch 14 mm		
Type	Length	Teeth
966	966	69
1092	1092	78
1190	1190	85
1344	1344	96
1400	1400	100
1456	1456	104
1512	1512	108
1540	1540	110
1610	1610	115
1680	1680	120
1778	1778	127
1890	1890	135
2100	2100	150
2310	2310	165
2450	2450	175
2590	2590	185
2800	2800	200
3150	3150	225
3360	3360	240
3500	3500	250
3850	3850	275
4004	4004	286
4326	4326	309
4578	4578	327

20M Pitch 20 mm		
Type	Length	Teeth
2000*	2000	100
2500*	2500	125
3400*	3400	170
3800*	3800	190
4200*	4200	210
4600*	4600	230
5000*	5000	250
5200*	5200	260
5400*	5400	270
5600*	5600	280
5800*	5800	290
6000*	6000	300
6200*	6200	310
6400*	6400	320
6600*	6600	330

* on request

Length in mm
Max. belt width ~ 470 mm.



D5M Pitch 5 mm		
Type	Length	Teeth
565	565	113
600	600	120
610	610	122
615	615	123
630	630	126
635	635	127
640	640	128
665	665	133
670	670	134
675	675	135
700	700	140
705	705	141
710	710	142
725	725	145
740	740	148
755	755	151
800	800	160
835	835	167
850	850	170
890	890	178
900	900	180
935	935	187
940	940	188
950	950	190
980	980	196
1000	1000	200
1025	1025	205
1050	1050	210
1100	1100	220
1125	1125	225
1135	1135	227
1195	1195	239
1200	1200	240
1240	1240	248
1270	1270	254
1420	1420	284
1500	1500	300
1595	1595	319
1605	1605	321
1690	1690	338
1790	1790	358
1800	1800	360
1870	1870	374
1895	1895	379
1945	1945	389
2000	2000	400
2250	2250	450
2525	2525	505

D8M Pitch 8 mm		
Type	Length	Teeth
600	600	75
608	608	76
632	632	79
640	640	80
656	656	82
680	680	85
720	720	90
776	776	97
784	784	98
800	800	100
840	840	105
880	880	110
896	896	112
920	920	115
960	960	120
1000	1000	125
1040	1040	130
1080	1080	135
1120	1120	140
1128	1128	141
1160	1160	145
1184	1184	148
1200	1200	150
1224	1224	153
1248	1248	156
1256	1256	157
1264	1264	158
1280	1280	160
1304	1304	163
1328	1328	166
1344	1344	168
1352	1353	169
1360	1360	170
1400	1400	175
1424	1424	178
1440	1440	180
1464	1464	183
1520	1520	190
1552	1552	194
1584	1584	198
1600	1600	200
1680	1680	210
1696	1696	212
1728	1728	216
1760	1760	220
1792	1792	224
1800	1800	225
1904	1904	238
1936	1936	242
2000	2000	250
2080	2080	260
2104	2104	263
2200	2200	275
2240	2240	280
2272	2272	284
2400	2400	300
2504	2504	313
2520	2520	315
2600	2600	325
2800	2800	350
2840	2840	355
3048	3048	381
3200	3200	400
3280	3280	410
3600	3600	450
4000	4000	500
4400	4400	550

D14M Pitch 14 mm		
Type	Length	Teeth
966	966	69
994	994	71
1092	1092	78
1106	1106	79
1120	1120	80
1190	1190	85
1260	1260	90
1288	1288	92
1344	1344	96
1400	1400	100
1442	1442	103
1568	1568	112
1610	1610	115
1750	1750	125
1764	1764	126
1778	1778	127
1848	1848	132
1890	1890	135
1904	1904	136
1960	1960	140
2100	2100	150
2240	2240	160
2310	2310	165
2380	2380	170
2450	2450	175
2520	2520	180
2590	2590	185
2660	2660	190
2800	2800	200
2968	2968	212
3136	3136	224
3150	3150	225
3304	3304	236
3360	3360	240
3500	3500	250
3850	3850	275
3920	3920	280
4326	4326	309
4410	4410	315
4578	4578	327
4956	4956	354

Length in mm
Max. belt width ~ 150 / 250 mm.



S3M Pitch 3 mm		
Type	Length	Teeth
120*	120	40
150*	150	50
177*	177	59
201*	201	67
225*	225	75
252*	252	84
264*	264	88
276*	276	92
300*	300	100
339*	339	113
384*	384	128
420*	420	140
459*	459	153
486*	486	162
501*	501	167
537*	537	179
564*	564	188
633*	633	211

* on request

** Type S2M on request

** Type S4,5M on request

S5M Pitch 5 mm		
Type	Length	Teeth
255*	255	51
295*	295	59
325*	325	65
350*	350	70
375*	375	75
390	390	78
400*	400	80
425*	425	85
475*	475	95
490	490	98
500*	500	100
520	520	104
525*	525	105
560*	560	112
575*	575	115
600*	600	120
625*	625	125
650*	650	130
675*	675	135
700*	700	140
750*	750	150
800*	800	160
850*	850	170
900*	900	180
950*	950	190
1000*	1000	200
1050*	1050	210
1125*	1125	225
1270*	1270	254
1350*	1350	270
1420*	1420	284
1800*	1800	360
2000*	2000	400

S8M Pitch 8 mm		
Type	Length	Teeth
440	440	55
480	480	60
560	560	70
600	600	75
632	632	79
640	640	80
656	656	82
680	680	85
688	688	86
696	696	87
712	712	89
720	720	90
728	728	91
736	736	92
760	760	95
768	768	96
784	784	98
792	792	99
800	800	100
824	824	103
848	848	106
864	864	108
880	880	110
896	896	112
912	912	114
920	920	115
944	944	118
960	960	120
992	992	124
1000	1000	125
1024	1024	128
1032	1032	129
1040	1040	130
1056	1056	132
1064	1064	133
1072	1072	134
1120	1120	140
1136	1136	142

Length in mm
Max. belt width ~ 470 mm

Timing Belt Neoprene STD



S8M Pitch 5 mm		
Type	Length	Teeth
1152	1152	144
1160	1160	145
1168	1168	146
1176	1176	147
1184	1184	148
1192	1192	149
1200	1200	150
1208	1208	151
1216	1216	152
1240	1240	155
1248	1248	156
1256	1256	157
1264	1264	158
1280	1280	160
1304	1304	163
1312	1312	164
1344	1344	168
1352	1352	169
1360	1360	170
1400	1400	175
1408	1408	176
1440	1440	180
1480	1480	185
1552	1552	194
1600	1600	200
1760	1760	220
1776	1776	222
1800	1800	225
1816	1816	227
1912	1912	239
2000	2000	250
2024	2024	253
2240	2240	280
2392	2392	299
2400	2400	300
2496	2496	312
2800	2800	350
3200	3200	400

Double Timing Belt DSTD



S14M Pitch 14 mm		
Type	Length	Teeth
1400	1400	100
1540	1540	110
1610	1610	115
1890	1890	135
2002	2002	143
2100	2100	150
2240	2240	160
2310	2310	165
2450	2450	175
2590	2590	185
2800	2800	200
3150	3150	225
3500	3500	250
3850	3850	275
4004	4004	286
4508	4508	322
5012	5012	358

DS8M Pitch 8 mm		
Type	Length	Teeth
1160	1160	145
1168	1168	146
1176	1176	147
1184	1184	148
1200	1200	150
1216	1216	152
1240	1240	155
1256	1256	157
1264	1264	158
1280	1280	160
1304	1304	163
1312	1312	164
1344	1344	168
1400	1400	175
1408	1408	176
1440	1440	180
1480	1480	185
1600	1600	200
1760	1760	220
1776	1776	222

Length in mm.
Max. belt width ~ 470 mm .

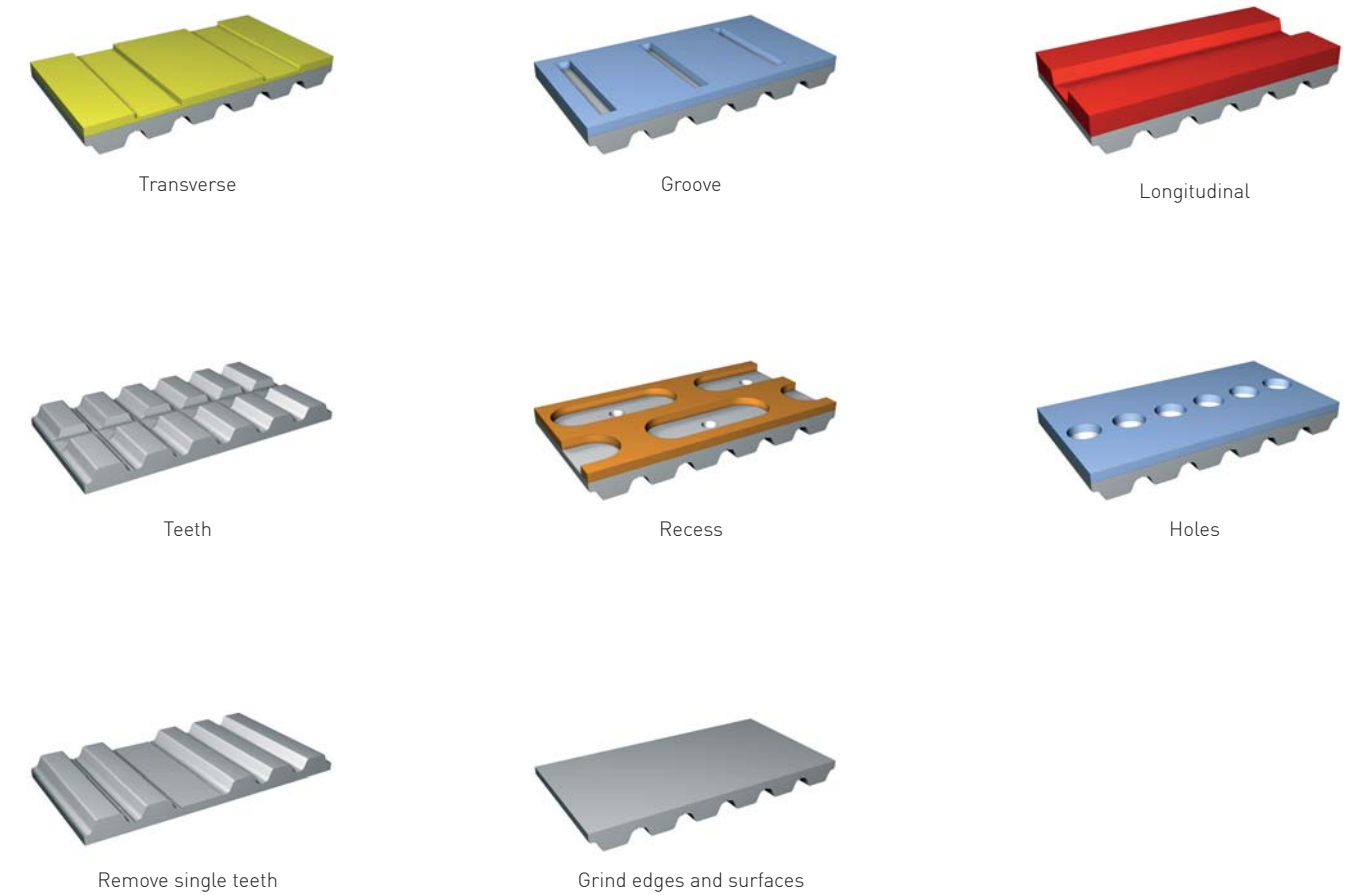
Individuality and diverse applications

In order to optimize them for specific applications and material flow requirements, timing belts can be coated with a wide variety of materials, for example:



Designs and specifications

By processing the surfaces and timing belts, e.g. by milling, punching and grinding, additional special and customized properties can be obtained.

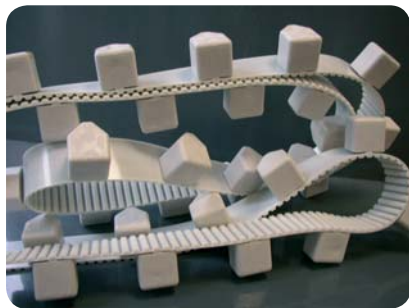
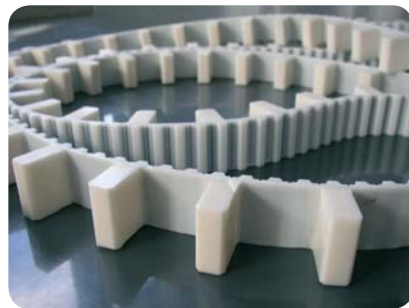
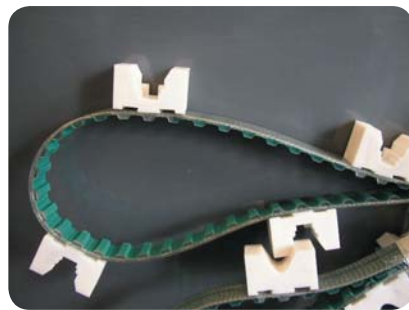
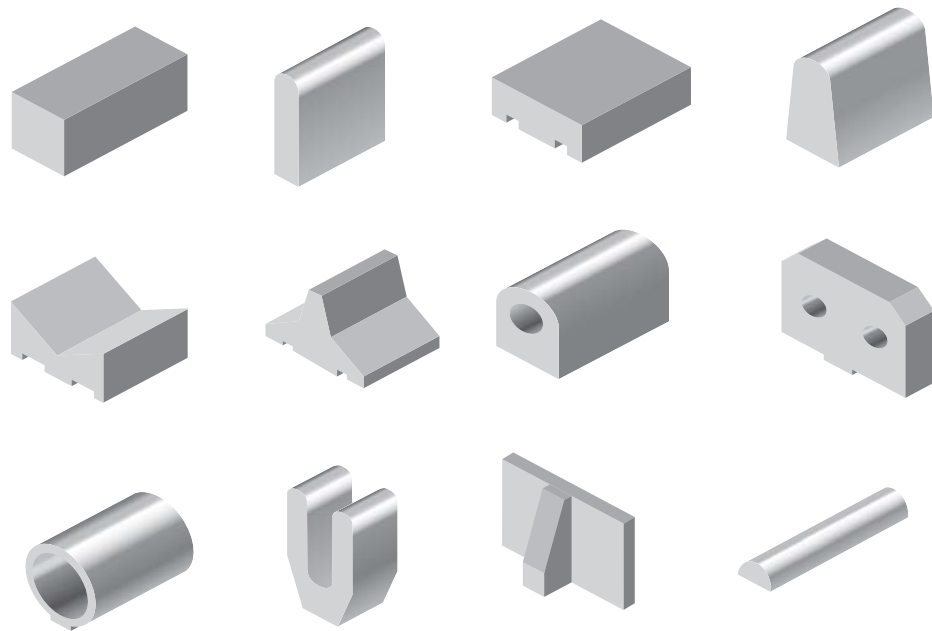


Material	Thick-ness in mm (approx.)	Shore A kg/m ³	Color	Abrasion resistance	Max. Temp. in °C	Thick-ness factor min.	Resistance to simple oils/grease	FDA	Examples / fields of application
PVC coatings									
PVC transparent	1/2/3/4	80	Transpa-rent	Medium	60	30	No	No	Packaging, transport of sensitive parts
PVC white FDA	1/2	75	White	Medium/low	60	30	Plant	Yes	Packaging, transport of sensitive parts
PVC blue (petrol)	1/2	60	Blue	Medium/low	60	25	No	No	Packaging, transport of sensitive parts
Supergrip petrol	4,5	45	Petrol	Medium/low	60	40 mm	No	No	Packaging, transport, wetness, wood, paper
Supergrip green	4	50	Green	Medium/low	60	40 mm	No	No	Packaging, transport, wetness, wood, paper
Supergrip white	3,5	50	White	Medium/low	60	40 mm	Plant	Yes	Food, wood, wetness
Grip petrol	1,5	60	Petrol	Medium	60	40 mm	No	No	Packaging, plaster board, glass
Nubbed white	1,5	65	White	Low	60	30 mm	Plant	Yes	Food, packaging, slight dirt
Nubbed blue	1,5	65	Light blue	Low	60	30 mm	Plant	Yes	Food, packaging, slight dirt
Longitudinal groove petrol	1,5	60	Petrol	Medium	60	40 mm	No	No	Wet transport, high clinging, dirt
Waffle white	1	70	White	Medium	60	40 mm	Plant	Yes	Food, pasta, packaging
Waffle blue	1	70	Blue	Medium	60	40 mm	Plant	Yes	Food, pasta, packaging
Saw tooth white	3	65	White	Medium	60	50 mm	Plant	Yes	Food, packaging, wood
Fishbone white	3,5	70	White	Medium	60	70 mm	Plant	Yes	Food, wood, wetness, frozen goods
Big grip blue	5,5	60	Blue	Medium	60	50 mm	No	No	Metal, wood, stones, wetness
PU coatings									
PU transparent 80	1/2/3/4	85	Transpa-rent	High	80	30	Yes	No	Glass, wood, sheet metal, plastic, stone
PU transparent 60	2	60	Transpa-rent	High	80	30	Yes	Yes	Food, packaging, glass
PU white FDA	1/2	90	White	High	70	50	Yes	Yes	Food, packaging
PU blue FDA	1/2	85	Light blue	High	70	30	Yes	Yes	Food, packaging
Vulkollan D15	1-15	70/82	Transp.-yellow	Very high	80	30/50	Yes	No	Accumulation mode, glass, wood, metal, plastic
Polythane D44	1-15	72	Brown	High	60	30	Yes	No	Accumulation mode, glass, wood, metal, plastic
PP blue FDA	3	85	Blue	High	70	80 mm	Yes	Yes	Food, meat, sausage processing
SP blue FDA	3	85	Blue	High	70	50 mm	Yes	Yes	Food, meat, sausage processing
SP white FDA	3	85	White	High	70	50 mm	Yes	Yes	Food, meat, sausage processing
PU Longitudinal groove transp.	2	80	Transpa-rent	High	70	50 mm	Yes	No	Oily, moist metals, glass, bricks
PU Nubbed transparent	3	80	Transpa-rent	High	70	70 mm	Yes	No	Oily, moist metals, glass, bricks
PU Waffle white	3	80	White	High	70	90 mm	Yes	Yes	Wood, bricks, food
PU Grip white	1,5	80	White	High	70	50 mm	Yes	Yes	Food, packaging
Celloflex	1-10	RG400	Yellow-brown	Medium	60	30	Limited	No	Cardboard articles, accumulation, pcbs, textile
PU yellow (gray)	2-10	50	Yellow (gray)	Medium	60	25	Yes	No	Packaging, vacuum, textile, glass, wood
Sylomer blue	2-25	RG220	Blue	Low	60	20	Limited	No	Guiding, centering, pressing on, labels
Sylomer green	2-25	RG300	Green	Low	60	25	Limited	No	Guiding, centering, pressing on, labels
Sylomer brown	2-25	RG400	Brown	Low	60	30	Limited	No	Guiding, centering, pressing on
Sylomer yellow	2-25	RG150	Yellow	Low	60	15	Limited	No	Guiding, centering, pressing on

Material	Thickness in mm (approx.)	Shore A kg/m ³	Color	Abrasion resistance	Max. Temp. in °C	Thick-ness factor min.	Resistance to simple oils/grease	FDA	Examples / fields of application
Elastomer coatings									
Linatex	1,5/2,4/3,2/4,8/6,4/7,9/9,6	40	Red	Medium/high	70	25	No	No	High adhesive, sensitive parts
Linaplast	2,4/3/6	40	White	Medium/high	70	25	Plant	Yes	High adhesive, sensitive parts
Linard	3/5	60	Red	Medium/high	70	30	No	No	High adhesive, sensitive parts
Linatril	3,2/5/6,4/8	50	Orange	Medium/high	100	25	Yes	No	Taking down textile, waxy substances
FDA rubber light	1,5/2/5/10	70	White/beige	Medium	60	35	Limited	Yes	Food, transport
EPDM Heat	2/3/4/5/6/8/10	50	Black	Medium	150	30	No	No	High temperatures, metal, glass
Viton	2/3/4/5/6/8/10	75	Black	Low	250	30	Yes	No	High temperatures, metal, glass
EPDM	2/3/6	65	Black	Medium	80	30	No	No	Action of light and ozone
Elastomer light green	1	60	Light Green	Medium	100	25	Limited	No	High adhesive, sensitive parts
Elastomer green	2	70	Green	Medium	100	25	Yes	No	High adhesive, sensitive parts
Correx	4/6/8/10	35	Beige	Medium	60	30	No	No	Sheet metal, pipes, cardboard articles
RP430	2/3/4/5/6	50	Yellow	Medium	60	20	No	No	Glass, steel
Supergrip rubber	3,5	60	Black	Medium	60	40 mm	Limited	No	Cardboard articles, sensitive parts
Supergrip rubber	3,5	60	Beige	Medium	60	40 mm	Yes	No	Cardboard articles, sensitive parts, oily sheet metal
Porol NE	1/2/3/4/5/6/7/8/10	RG220	Black	Low	60	20	No	No	Press-on belts, labels, paper, cardboard
Foam rubber	1/2/3/4/5/6/7/8/10	RG350	Black	Low	60	20	No	No	Press-on belts, labels, cardboard articles
Latex foam	3	35	Gray	Low	100	30	Yes	No	Press-on belts, labels, cardboard articles
Sponge rubber	5/10/12/15/20	RG150-350	Orange	Low	60	15-25	No	No	Porcelain, soaps
Other coatings									
PA fabric	0,3/0,55		Green	Medium/high	60	40 mm	No	No	Accumulation operation
PA fabric antistatic	0,65		Dark gray	Medium/high	60	40 mm	No	No	Accumulation operation, antistatic
Teflon/PTFE	0,25		Brown	Low	60	60 mm	Limited	Yes	Adhesive repellent
Felt	1-3	50	White	Medium	60	80 mm	Limited	No	Baked goods
PES beige	1,2-2,5	70	Beige	Medium	60	50 mm	No	No	Transporting sensitive parts
PES gray	2	70	Gray	Medium	60	50 mm	No	No	Transporting sensitive parts
Plush wool	3		Green	Low	100	30	No	No	Transporting sensitive parts
Chrome leather	2/3	65	Gray	High	70	30 mm	Yes	No	Transporting bricks/stones, accumulation operation
Silicon Transparent	1-5	30	Transpa-rent	Low	120	20 mm	No	Yes	Adhesive repellent, non-adhesive, vacuum
Silicon Blue	1-5	40	Blue	Low	120	20 mm	No	Yes	Adhesive repellent, non-adhesive, vacuum

Profiles / Cleats

Many special, innovative tasks in the flow of material, such as clocking, separating or positioning, can be solved by mounting profiles and/or cleats as well as pushing elements. Profiles and pushing features, made of high-quality polyurethane (just like our timing belts), are processed as sheet ware or injection molded to obtain the required shape. The products are available in various mixtures and grades of hardness, with glass-fiber reinforcement and in matching colors. The profiles and/or cleats are homogeneously welded onto or glued to the timing belt. Given our production methods, the shape of the cleat can be designed freely.



Welding on cleats

The flexibility of the timing belt is affected when cleats are welded onto it. As a rule, the cleat thickness should be as low as possible. If possible, the cleats should be welded onto the belt opposite the tooth. The distance between the cleats is optimal when a multiple of the belt pitch is selected. The table below shows the recommended maximum cleat thickness (in mm) in relation to the selected number of pulley teeth. The positioning accuracy is +/-0.3mm for the center distance between cleats.

Maximum cleat thickness in mm when cleats are welded onto belt opposite the tooth.

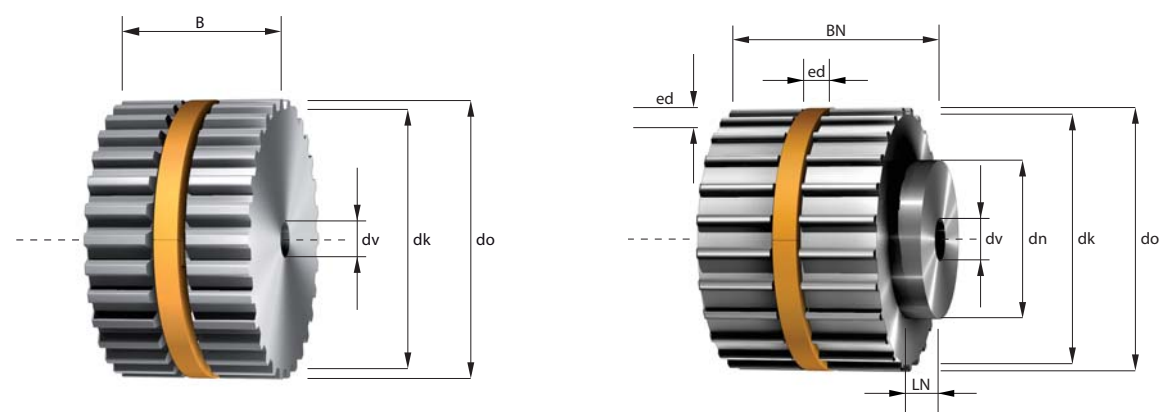
Type / no. of teeht	20	25	30	40	50	60	100
T5	5	6	6	8	10	11	13
T10	8	9	10	12	14	15	20
T20	12	13	16	18	20	23	30
AT3	4	5	6	8	9	10	12
AT5	5	6	6	8	10	11	13
AT10	8	10	10	12	14	15	20
AT20	12	13	15	18	20	23	30
XL	5	6	6	8	10	11	13
L	6	7	8	10	12	13	16
H	8	10	10	12	14	15	20
XH	13	14	15	18	20	23	30
HTD5	5	5	6	8	10	11	13
HTD8	6	8	9	10	12	14	15
HTD14	-	10	12	13	15	18	20

Maximum cleat thickness in mm when cleats are welded onto belt opposite the tooth space.

Type / no. of teeht	20	25	30	40	50	60	100
T5	2	2	3	4	6	8	10
T10	3	4	4	6	9	12	20
T20	5	5	6	8	12	20	30
AT3	-	2	2	3	4	6	8
AT5	2	2	3	4	6	8	10
AT10	3	4	4	6	9	12	20
AT20	5	5	6	8	12	20	30
XL	2	2	3	4	6	8	10
L	3	3	4	5	7	10	16
H	4	5	6	7	10	12	20
XH	5	5	6	8	12	20	30
HTD5	2	2	3	4	6	8	10
HTD8	3	3	4	5	6	9	12
HTD14	-	5	6	6	7	10	13

All measurements and tolerances are based on experience and provided without guarantee.

Synchronising pulleys easy drive® T-profile



- z = Number of teeth
- dk = Outside diameter
- do = Pitch diameter
- ed = easy drive® groove
- dv = Diameter of pre-bore
- dmax = max. bore diameter without feather key groove
- dh = Hub diameter
- wh = Hub width

Groove base to max. bore diameter min. 3-4 mm wall thickness

Materials: Stock pulleys - aluminium; special pulleys - steel, gray cast iron, plastics
 Stock rings easy drive® - plastic; special rings - aluminium and steel

T 2,5	Belt width = b (mm)	16	20	25	32	50
	Total width = B (mm)	18	22	27	34	52
	Total width with hub = BN (mm)	24	28	33	40	58

Starting from z = 27
 Min. diameter of the tension rollers without contra-flexure 15 mm, with contra-flexure 18 mm.

T 5	Belt width = b (mm)	16	20	25	32	50	75	100	150
	Total width = B (mm)	18	22	27	34	52	77	102	152
	Total width with hub = BN (mm)	24	28	33	40	58	83	108	158

Starting from z = 14
 Min. diameter of the tension rollers without contra-flexure 20 mm, with contra-flexure 30 mm.

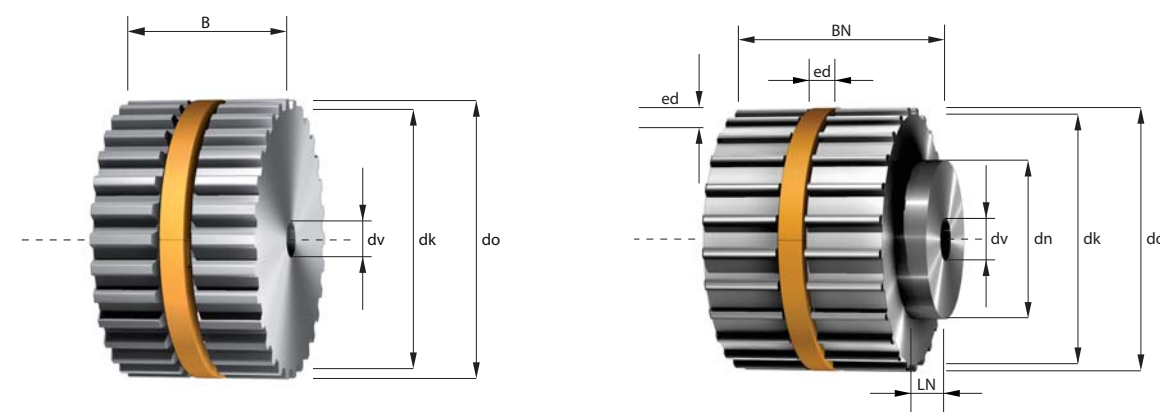
T 10	Belt width = b (mm)	16	25	32	50	75	100	150
	Total width = B (mm)	18	27	34	52	77	102	152
	Total width with hub = BN (mm)	28	37	44	62	87	112	162

Starting from z = 12
 Min. diameter of the tension rollers without contra-flexure 60 mm, with contra-flexure 80 mm.

T 20	Belt width = b (mm)	16	25	32	50	75	100	125	150
	Total width = B (mm)	18	27	34	52	77	102	127	152
	Total width with hub = BN (mm)	28	37	44	62	87	112	137	162

Starting from z = 15
 Min. diameter of the tension rollers without contra-flexure 120 mm, with contra-flexure 150 mm.

Synchronising pulleys easy drive® AT-profile



- z = Number of teeth
- dk = Outside diameter
- do = Pitch diameter
- ed = easy drive® groove
- dv = Diameter of pre-bore
- dmax = max. bore diameter without feather key groove
- dh = Hub diameter
- wh = Hub width

Groove base to max. bore diameter min. 3-4 mm wall thickness

Materials: Stock pulleys - aluminium; special pulleys - steel, gray cast iron, plastics
 Stock rings easy drive® - plastic; special rings - aluminium and steel

AT 3	Belt width = b (mm)	16	25	32	50
	Total width = B (mm)	18	27	34	52
	Total width with hub = BN (mm)	24	33	40	58

Starting from z = 22
 Min. diameter of the tension rollers without contra-flexure 15 mm, with contra-flexure 20 mm.

AT 5	Belt width = b (mm)	16	20	25	32	50	75	100	150
	Total width = B (mm)	18	22	27	34	52	77	102	152
	Total width with hub = BN (mm)	24	28	33	40	58	83	108	158

Starting from z = 14
 Min. diameter of the tension rollers without contra-flexure 18 mm, with contra-flexure 60 mm.

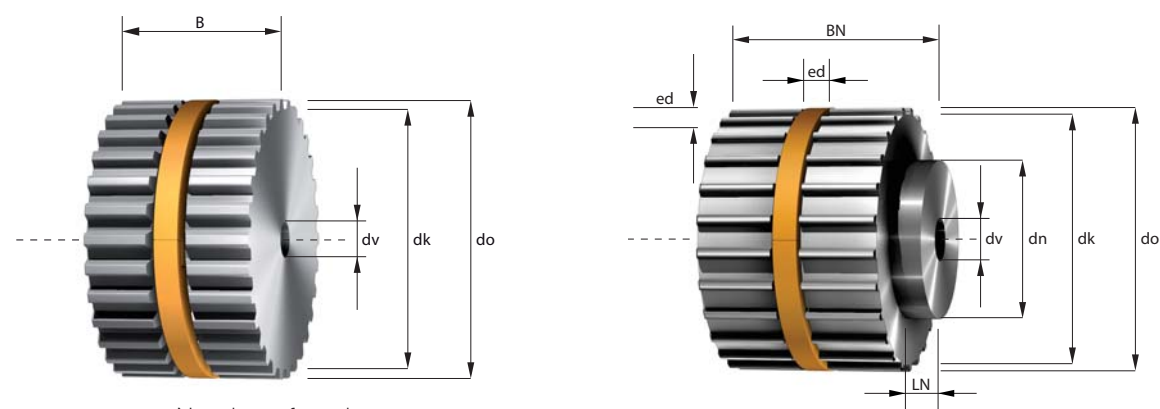
AT 10	Belt width = b (mm)	16	25	32	50	75	100	150
	Total width = B (mm)	18	27	34	52	77	102	152
	Total width with hub = BN (mm)	28	37	44	62	87	112	162

Starting from z = 12
 Min. diameter of the tension rollers without contra-flexure 50 mm, with contra-flexure 120 mm.

AT 20	Belt width = b (mm)	16	25	32	50	75	100	125	150
	Total width = B (mm)	18	27	34	52	77	102	127	152
	Total width with hub = BN (mm)	28	37	44	62	87	112	137	162

Starting from z = 18
 Min. diameter of the tension rollers without contra-flexure 120mm, with contra-flexure 180 mm.

Synchronising pulleys easy drive® HTD-profile



- z = Number of teeth
- dk = Outside diameter
- do = Pitch diameter
- ed = easy drive® groove
- dv = Diameter of pre-bore
- dmax = max. bore diameter without feather key groove
- dh = Hub diameter
- wh = Hub width

Groove base to max. bore diameter min. 3-4 mm wall thickness
 Materials: Stock pulleys - aluminium; special pulleys - steel, gray cast iron, plastics
 Stock rings easy drive® - plastic; special rings - aluminium and steel

HTD 3	Belt width = b (mm)	15	20	25	30	50
	Total width = B (mm)	17	22	27	32	52
	Total width with hub = BN (mm)	B + 6,5/10,0 mm				

Starting from z = 23
 Min. diameter of the tension rollers without contra-flexure 20 mm, with contra-flexure 20 mm.

HTD 5	Belt width = b (mm)	15	20	25	30	50	75	100	150
	Total width = B (mm)	17	22	27	32	52	77	102	152
	Total width with hub = BN (mm)	B + 5,5/7,5/9,5 mm							

Starting from z = 14
 Min. diameter of the tension rollers without contra-flexure 30 mm, with contra-flexure 60 mm.

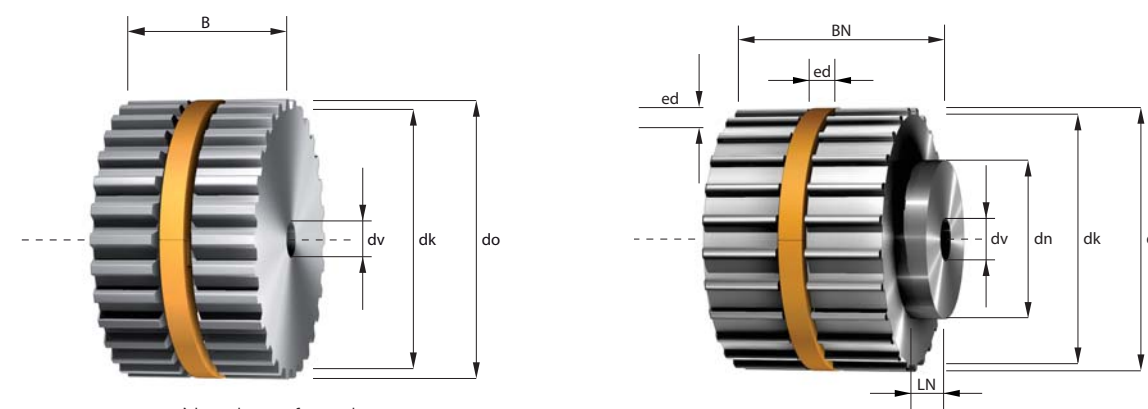
HTD 8	Belt width = b (mm)	20	25	30	50	85	115	150
	Total width = B (mm)	22	27	32	52	87	117	152
	Total width with hub = BN (mm)	32	37	42	62	97	127	162

Starting from z = 20
 Min. diameter of the tension rollers without contra-flexure 60 mm, with contra-flexure 120 mm.

HTD 14	Belt width = b (mm)	40	55	85	115	170
	Total width = B (mm)	42	57	87	117	172
	Total width with hub = BN (mm)	57	72	102	132	187

Starting from z = 28
 Min. diameter of the tension rollers without contra-flexure 180 mm, with contra-flexure 200 mm.

Synchronising pulleys easy drive® Imperial-profile



- z = Number of teeth
- dk = Outside diameter
- do = Pitch diameter
- ed = easy drive® groove
- dv = Diameter of pre-bore
- dmax = max. bore diameter without feather key groove
- dh = Hub diameter
- wh = Hub width

Groove base to max. bore diameter min. 3-4 mm wall thickness
 Materials: Stock pulleys - aluminium; special pulleys - steel, gray cast iron, plastics
 Stock rings easy drive® - plastic; special rings - aluminium and steel

MXL T 1/8"	Imperial code	075	100	150	200
	Belt width = b (mm)	19,1	25,4	38,1	50,8
	Total width = B (mm)	21,1	27,4	40,1	52,8
	Total width with hub = BN (mm)	27,1	33,4	46,1	58,8

Starting from z = 34
 Min. diameter of the tension rollers without contra-flexure 15 mm, with contra-flexure 18 mm.

XL T 1/5"	Imperial code	075	100	150	200	300	400
	Belt width = b (mm)	19,1	25,4	38,1	50,8	76,2	101,6
	Total width = B (mm)	21,1	27,4	40,1	52,8	78,2	103,6
	Total width with hub = BN (mm)	B + 5,3/8,1/12,1 mm					

Starting from z = 14
 Min. diameter of the tension rollers without contra-flexure 30 mm, with contra-flexure 30 mm.

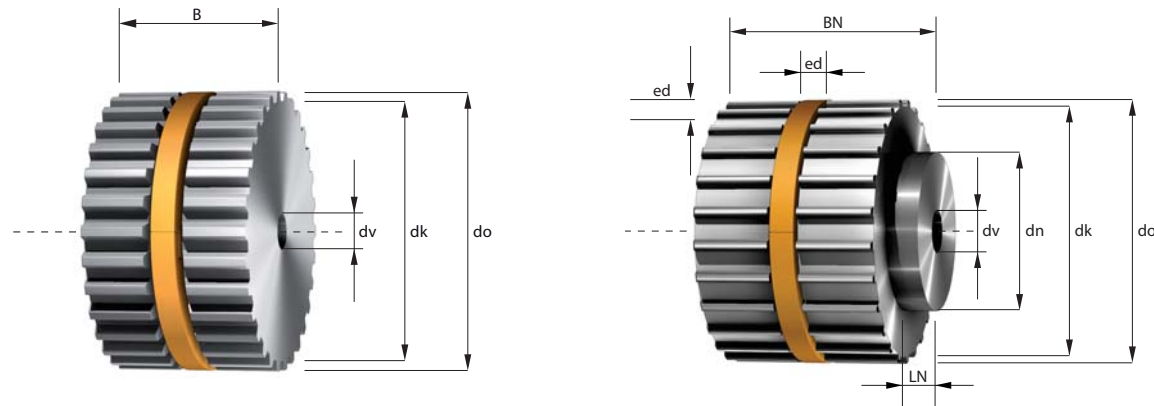
L T 3/8"	Imperial code	075	100	150	200	300	400	600
	Belt width = b (mm)	19,1	25,4	38,1	50,8	76,2	101,6	152,4
	Total width = B (mm)	21,1	27,4	40,1	52,8	78,2	103,6	154,4
	Total width with hub = BN (mm)	B + 7 / 9 mm						

Starting from z = 10
 Min. diameter of the tension rollers without contra-flexure 60 mm, with contra-flexure 120 mm.

H T 1/2"	Imperial code	075	100	150	200	300	400	600
	Belt width = b (mm)	19,1	25,4	38,1	50,8	76,2	101,6	152,4
	Total width = B (mm)	21,1	27,4	40,1	52,8	78,2	103,6	154,4
	Total width with hub = BN (mm)	B + 10 / 8 / 11 / 16 mm						

Starting from z = 14
 Min. diameter of the tension rollers without contra-flexure 60 mm, with contra-flexure 80 mm.

Synchronising pulleys easy drive® for cylindrical bore T-profile



- z = Number of teeth
- dk = Outside diameter
- do = Pitch diameter
- ed = easy drive® groove
- dv = Diameter of pre-bore
- dmax = max. bore diameter without feather key groove
- dh = Hub diameter
- wh = Hub width

Min. diameter of the tension rollers without contra-flexure 15 mm, with contra-flexure 18 mm.

Belt width = b (mm)	16	20	25	32	50
Total width = B (mm)	18	22	27	34	52
Total width with hub = BN (mm)	24	28	33	40	58

Other widths and larger sizes are available.

T 2,5

z	dk (mm)	do (mm)	ed (BxH) (mm)	dv (mm)	dmax (mm)	Hub (BxH) (mm)
27	20,95	21,49	5,85 x 4	-	6	14 x 6
28	21,76	22,28	5,85 x 4	-	6	14 x 6
29	22,55	23,08	5,85 x 4	4H7	7	14 x 6
30	23,35	23,87	5,85 x 4	4H7	8	16 x 6
31	24,15	24,67	5,85 x 4	4H7	8	16 x 6
32	24,95	25,46	5,85 x 4	4H7	8	16 x 6
33	25,75	26,26	5,85 x 4	4H7	9	16 x 6
34	26,55	27,06	5,85 x 4	6H7	9	16 x 6
35	27,35	27,85	5,85 x 4	6H7	11	16 x 6
36	28,15	28,65	5,85 x 4	6H7	12	20 x 6
37	28,90	29,44	5,85 x 4	6H7	12	20 x 6
38	29,70	30,24	5,85 x 4	6H7	14	20 x 6
39	30,50	31,04	5,85 x 5	6H7	10	20 x 6
40	31,30	31,83	5,85 x 5	6H7	10	22 x 6
41	32,10	32,63	5,85 x 5	6H7	12	22 x 6

z	dk (mm)	do (mm)	ed (BxH) (mm)	dv (mm)	dmax (mm)	Hub (BxH) (mm)
42	32,90	33,42	5,85 x 5	6H7	12	22 x 6
43	33,70	34,22	5,85 x 5	6H7	13	22 x 6
44	34,50	35,01	5,85 x 5	6H7	14	24 x 6
45	35,30	35,81	5,85 x 5	6H7	15	22 x 6
46	36,10	36,61	5,85 x 5	6H7	16	22 x 6
47	36,90	37,40	5,85 x 5	6H7	16	22 x 6
48	37,70	38,20	5,85 x 5	6H7	17	26 x 6
49	38,45	38,99	5,85 x 5	6H7	18	26 x 6
50	39,25	39,79	5,85 x 5	6H7	19	26 x 6
51	40,05	40,58	5,85 x 5	6H7	20	26 x 6
52	40,85	41,38	5,85 x 5	6H7	20	26 x 6
53	41,65	42,18	5,85 x 5	6H7	21	26 x 6
54	42,45	42,97	5,85 x 5	6H7	22	26 x 6
55	43,25	43,77	5,85 x 5	6H7	23	26 x 6
56	44,05	44,56	5,85 x 5	6H7	24	26 x 6

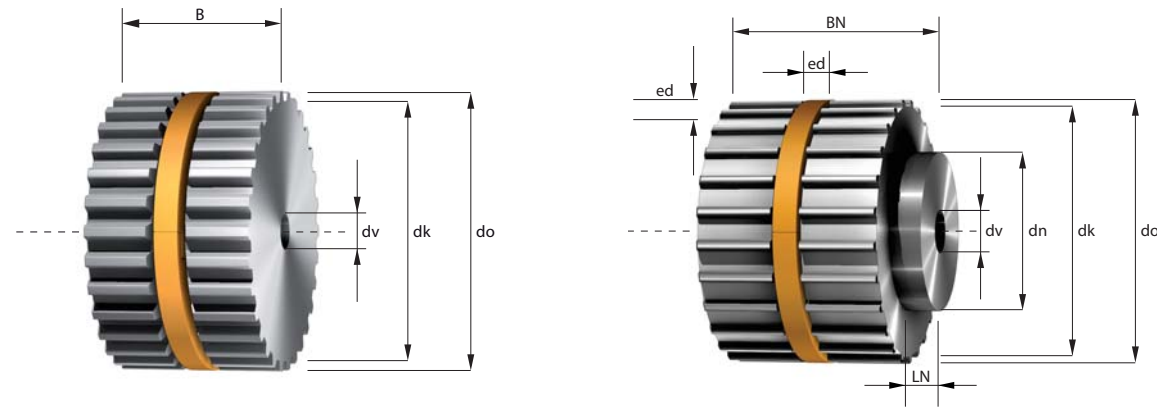
 = Standard ring sizes in stock

T 2,5

z	dk (mm)	do (mm)	ed (BxH) (mm)	dv (mm)	dmax (mm)	Hub (BxH) (mm)
57	44,85	45,36	5,85 x 5	6H7	24	26 x 6
58	45,65	46,15	5,85 x 5	6H7	25	26 x 6
59	46,45	46,95	5,85 x 5	6H7	26	26 x 6
60	47,25	47,75	5,85 x 5	8H7	27	34 x 6
61	48,05	48,54	5,85 x 5	8H7	28	34 x 6
62	48,80	49,34	5,85 x 5	8H7	28	34 x 6
63	49,60	50,13	5,85 x 5	8H7	28	34 x 6
64	50,40	50,93	5,85 x 5	8H7	28	34 x 6
65	51,20	51,73	5,85 x 5	8H7	30	34 x 6
66	52,00	52,52	5,85 x 5	8H7	30	34 x 6
67	52,80	53,32	5,85 x 5	8H7	30	34 x 6
68	53,60	54,11	5,85 x 5	8H7	32	34 x 6
69	54,40	54,91	5,85 x 5	8H7	32	34 x 6
70	55,20	55,70	5,85 x 5	8H7	32	34 x 6
71	56,00	56,50	5,85 x 5	8H7	34	34 x 6
72	56,80	57,30	5,85 x 5	8H7	34	34 x 6
73	57,60	58,09	5,85 x 5	8H7	35	38 x 6
74	58,35	58,89	5,85 x 5	8H7	35	38 x 6
75	59,15	59,68	5,85 x 5	8H7	37	38 x 6
76	59,95	60,48	5,85 x 5	8H7	37	38 x 6
77	60,75	61,27	5,85 x 5	8H7	38	38 x 6
78	61,55	62,07	5,85 x 5	8H7	38	38 x 6
79	62,35	62,87	5,85 x 5	8H7	40	38 x 6
80	63,15	63,66	5,85 x 5	8H7	40	38 x 6
81	63,95	64,46	5,85 x 5	8H7	40	38 x 6
82	64,75	65,25	5,85 x 5	8H7	40	38 x 6
83	65,55	66,05	5,85 x 5	8H7	40	38 x 6
84	66,35	66,85	5,85 x 5	8H7	42	38 x 6
85	67,15	67,64	5,85 x 5	8H7	42	38 x 6
86	67,95	68,44	5,85 x 5	8H7	42	38 x 6
87	68,70	69,23	5,85 x 5	8H7	44	38 x 6
88	69,50	70,03	5,85 x 5	8H7	44	38 x 6
89	70,30	70,82	5,85 x 5	8H7	44	38 x 6
90	71,10	71,62	5,85 x 5	8H7	45	38 x 6
91	71,90	72,42	5,85 x 5	10H7	45	40 x 6
92	72,70	73,21	5,85 x 5	10H7	45	40 x 6
93	73,50	74,01	5,85 x 5	10H7	46	40 x 6
94	74,30	74,80	5,85 x 5	10H7	46	40 x 6
95	75,10	75,60	5,85 x 5	10H7	46	40 x 6
96	75,90	76,39	5,85 x 5	10H7	46	40 x 6
97	76,70	77,19	5,85 x 5	10H7	48	40 x 6
98	77,50	77,99	5,85 x 5	10H7	48	40 x 6
99	78,25	78,78	5,85 x 5	10H7	48	40 x 6
100	79,05	79,58	5,85 x 5	10H7	50	40 x 6
101	79,85	80,37	5,85 x 5	10H7	50	50 x 6

z	dk (mm)	do (mm)	ed (BxH) (mm)	dv (mm)	dmax (mm)	Hub (BxH) (mm)
102	80,65	81,17	5,85 x 5	10H7	50	50 x 6
103	81,45	81,96	5,85 x 5	10H7	50	50 x 6
104	82,25	82,76	5,85 x 5	10H7	52	50 x 6
105	83,05	83,56	5,85 x 5	10H7	52	50 x 6
106	83,85	84,35	5,85 x 5	10H7	54	50 x 6
107	84,65	85,15	5,85 x 5	10H7	54	50 x 6
108	85,45	85,94	5,85 x 5	10H7	55	50 x 6
109	86,25	86,74	5,85 x 5	10H7	55	50 x 6
110	87,05	87,54	5,85 x 5	10H7	56	50 x 6
111	87,85	88,33	5,85 x 5	10H7	56	50 x 6
112	88,60	89,13	5,85 x 5	10H7	58	50 x 6
113	89,40	89,92	5,85 x 5	10H7	58	50 x 6
114	90,20	90,72	5,85 x 5	10H7	60	50 x 6

Synchronising pulleys easy drive® for cylindrical bore T-profile



- z = Number of teeth
- dk = Outside diameter
- do = Pitch diameter
- ed = easy drive® groove
- dv = Diameter of pre-bore
- dmax = max. bore diameter without feather key groove
- dh = Hub diameter
- wh = Hub width

Min. diameter of the tension rollers without contra-flexure 20 mm, with contra-flexure 30 mm.

Belt width = b (mm)		16	20	25	32	50	75	100	150
Total width = B (mm)		18	22	27	34	52	77	102	152
Total width with hub = BN (mm)		24	28	33	40	58	83	108	158

Other widths and larger sizes are available.

T 5

z	dk (mm)	do (mm)	ed (BxH) (mm)	dv (mm)	dmax (mm)	Hub (BxH) (mm)
14	21,45	22,28	5,85 x 4	6H7	6	14 x 6
15	23,05	23,87	5,85 x 4	6H7	7	16 x 6
16	24,60	25,46	5,85 x 4	6H7	10	18 x 6
17	26,20	27,06	5,85 x 4	6H7	11	18 x 6
18	27,80	28,65	5,85 x 4	6H7	12	20 x 6
19	29,40	30,24	5,85 x 4	6H7	14	22 x 6
20	31,00	31,83	5,85 x 5	6H7	11	23 x 6
21	32,60	33,42	5,85 x 5	6H7	12	24 x 6
22	34,15	35,01	5,85 x 5	6H7	14	24 x 6
23	35,75	36,61	5,85 x 5	6H7	15	24 x 6
24	37,35	38,20	5,85 x 5	6H7	17	26 x 6
25	38,95	39,79	5,85 x 5	6H7	18	26 x 6
26	40,55	41,38	5,85 x 5	6/8H7	20	26 x 6
27	42,15	42,97	5,85 x 5	8H7	22	30 x 6
28	43,75	44,56	5,85 x 5	8H7	23	32 x 6

z	dk (mm)	do (mm)	ed (BxH) (mm)	dv (mm)	dmax (mm)	Hub (BxH) (mm)
29	45,30	46,15	5,85 x 5	8H7	25	30 x 6
30	46,90	47,75	5,85 x 5	8H7	26	34 x 6
31	48,50	49,34	5,85 x 5	8H7	28	34 x 6
32	50,10	50,93	5,85 x 5	8H7	30	38 x 6
33	51,70	52,52	5,85 x 5	8H7	31	38 x 6
34	53,30	54,11	5,85 x 5	8H7	33	38 x 6
35	54,85	55,70	5,85 x 5	8H7	34	38 x 6
36	56,45	57,30	5,85 x 5	8H7	36	38 x 6
37	58,05	58,89	5,85 x 5	8H7	38	38 x 6
38	59,65	60,48	5,85 x 5	8H7	39	38 x 6
39	61,25	62,07	5,85 x 5	8H7	40	38 x 6
40	62,85	63,66	5,85 x 5	8H7	42	40 x 6
41	64,40	65,25	5,85 x 5	8H7	44	40 x 6
42	66,00	66,85	5,85 x 5	8H7	46	40 x 6
43	67,60	68,44	5,85 x 5	8H7	47	40 x 6

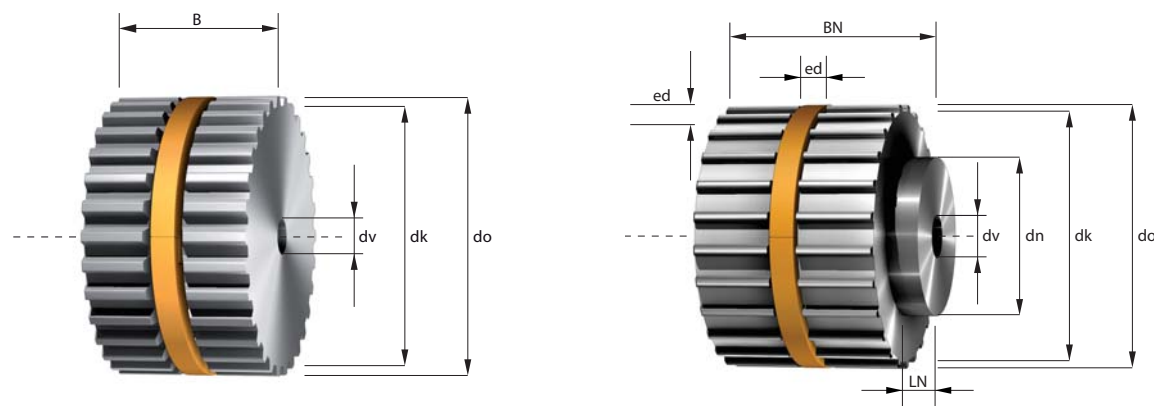
- = Standard ring sizes in stock
- = Stock-pulleys in width 27 mm, 34 mm + 52 mm

T 5

z	dk (mm)	do (mm)	ed (BxH) (mm)	dv (mm)	dmax (mm)	Hub (BxH) (mm)
44	69,20	70,03	5,85 x 5	8H7	49	40 x 6
45	70,80	71,62	5,85 x 5	8H7	51	40 x 6
46	72,40	73,21	5,85 x 5	8H7	52	40 x 6
47	73,95	74,80	5,85 x 5	8H7	54	40 x 6
48	75,55	76,39	5,85 x 5	8H7	56	50 x 6
49	77,15	77,99	5,85 x 5	8H7	57	50 x 6
50	78,75	79,58	5,85 x 5	8H7	59	50 x 6
51	80,35	81,17	5,85 x 5	8H7	60	50 x 6
52	81,95	82,76	5,85 x 5	8H7	62	50 x 6
53	83,55	84,35	5,85 x 5	8H7	64	50 x 6
54	85,10	85,94	5,85 x 5	8H7	65	50 x 6
55	86,70	87,54	5,85 x 5	8H7	67	50 x 6
56	88,30	89,13	5,85 x 5	8H7	68	50 x 6
57	89,90	90,72	5,85 x 5	8H7	70	50 x 6
58	91,50	92,31	5,85 x 5	8H7	72	50 x 6
59	93,10	93,90	5,85 x 5	8H7	73	50 x 6
60	94,65	95,49	5,85 x 5	8H7	75	65 x 6
61	96,25	97,08	5,85 x 5	8H7	76	65 x 6
62	97,85	98,68	5,85 x 5	8H7	78	65 x 6
63	99,45	100,27	5,85 x 5	8H7	79	65 x 6
64	101,05	101,86	5,85 x 5	8H7	81	65 x 6
65	102,65	103,45	5,85 x 5	8H7	83	65 x 6
66	104,20	105,04	5,85 x 5	8H7	84	65 x 6
67	105,80	106,63	5,85 x 5	8H7	86	65 x 6
68	107,40	108,23	5,85 x 5	8H7	87	65 x 6
69	109,00	109,82	5,85 x 5	8H7	89	65 x 6
70	110,60	111,41	5,85 x 5	8H7	91	65 x 6
71	112,20	113,00	5,85 x 5	8H7	92	65 x 6
72	113,75	114,59	5,85 x 5	10H7	94	80 x 6
73	115,35	116,18	5,85 x 5	10H7	95	80 x 6
74	116,95	117,77	5,85 x 5	10H7	97	80 x 6
75	118,55	119,37	5,85 x 5	10H7	99	80 x 6
76	120,15	120,96	5,85 x 5	10H7	100	80 x 6
77	121,75	122,55	5,85 x 5	10H7	102	80 x 6
78	123,35	124,14	5,85 x 5	10H7	102	80 x 6
79	124,90	125,73	5,85 x 5	10H7	102	80 x 6
80	126,50	127,32	5,85 x 5	10H7	102	80 x 6
81	128,10	128,92	5,85 x 5	10H7	103	80 x 6
82	129,70	130,51	5,85 x 5	10H7	105	80 x 6
83	131,30	132,10	5,85 x 5	10H7	106	80 x 6
84	132,90	133,69	5,85 x 5	10H7	108	80 x 6
85	134,45	135,28	5,85 x 5	10H7	109	80 x 6
86	136,05	136,87	5,85 x 5	10H7	111	80 x 6
87	137,65	138,46	5,85 x 5	10H7	113	80 x 6
88	139,25	140,06	5,85 x 5	10H7	114	80 x 6

z	dk (mm)	do (mm)	ed (BxH) (mm)	dv (mm)	dmax (mm)	Hub (BxH) (mm)
89	140,85	141,65	5,85 x 5	10H7	116	80 x 6
90	142,45	143,24	5,85 x 5	10H7	117	80 x 6
91	144,00	144,83	5,85 x 5	12H7	119	90 x 6
92	145,60	146,42	5,85 x 5	12H7	121	90 x 6
93	147,20	148,01	5,85 x 5	12H7	122	90 x 6
94	148,80	149,61	5,85 x 5	12H7	124	90 x 6
95	150,40	151,20	5,85 x 5	12H7	125	90 x 6
96	152,00	152,79	5,85 x 5	12H7	127	90 x 6
97	153,55	154,38	5,85 x 5	12H7	129	90 x 6
98	155,15	155,97	5,85 x 5	12H7	130	90 x 6
99	156,75	157,56	5,85 x 5	12H7	132	90 x 6
100	158,35	159,15	5,85 x 5	12H7	133	90 x 6
101	159,95	160,75	5,85 x 5	12H7	135	95 x 6
102	161,55	162,34	5,85 x 5	12H7	137	95 x 6
103	163,15	163,93	5,85 x 5	12H7	138	95 x 6
104	164,70	165,52	5,85 x 5	12H7	140	95 x 6
105	166,30	167,11	5,85 x 5	12H7	141	95 x 6
106	167,90	168,70	5,85 x 5	12H7	143	95 x 6
107	169,50	170,30	5,85 x 5	12H7	145	95 x 6
108	171,10	171,89	5,85 x 5	12H7	146	95 x 6
109	172,70	173,48	5,85 x 5	16H7	148	110 x 6
110	174,25	175,07	5,85 x 5	16H7	149	110 x 6
111	175,85	176,66	5,85 x 5	16H7	151	110 x 6
112	177,45	178,25	5,85 x 5	16H7	152	110 x 6
113	179,05	179,85	5,85 x 5	16H7	154	110 x 6
114	180,65	181,44	5,85 x 5	16H7	156	110 x 6

Synchronising pulleys easy drive® for cylindrical bore T-profile



- z = Number of teeth
- dk = Outside diameter
- do = Pitch diameter
- ed = easy drive® groove
- dv = Diameter of pre-bore
- dmax = max. bore diameter without feather key groove
- dh = Hub diameter
- wh = Hub width

Min. diameter of the tension rollers without contra-flexure 60 mm, with contra-flexure 80 mm.

Belt width = b (mm)	16	25	32	50	75	100	150
Total width = B (mm)	18	27	34	52	77	102	152
Total width with hub = BN (mm)	28	37	44	62	87	112	162

Other widths and larger sizes are available.

T 10

z	dk (mm)	do (mm)	ed (BxH) (mm)	dv (mm)	dmax (mm)	Hub (BxH) (mm)
12	36,35	38,20	5,85 x 5	6H7	14	28 x 10
13	39,55	41,38	5,85 x 5	6H7	16	28 x 10
14	42,70	44,56	5,85 x 5	8H7	17	32 x 10
15	45,90	47,75	5,85 x 5	8H7	20	32 x 10
16	49,09	50,93	5,85 x 5	8H7	23	35 x 10
17	52,25	54,11	5,85 x 5	8H7	26	35 x 10
18	55,45	57,30	5,85 x 5	8/10H7	29	40 x 10
19	58,65	60,48	5,85 x 5	8/10H7	33	44 x 10
20	61,80	63,66	5,85 x 5	8/12H7	36	46 x 10
21	65,00	66,85	5,85 x 5	8/12H7	39	46 x 10
22	68,20	70,03	5,85 x 5	8/12H7	42	52 x 10
23	71,35	73,21	5,85 x 5	8/12H7	45	54 x 10
24	74,55	76,39	5,85 x 5	8/12H7	49	58 x 10
25	77,75	79,58	5,85 x 5	8/12H7	52	60 x 10
26	80,90	82,76	5,85 x 5	8/12H7	55	60 x 10

z	dk (mm)	do (mm)	ed (BxH) (mm)	dv (mm)	dmax (mm)	Hub (BxH) (mm)
27	84,10	85,94	5,85 x 5	8/12H7	58	60 x 10
28	87,25	89,13	5,85 x 5	8/12H7	61	60 x 10
29	90,45	92,31	5,85 x 5	8/12H7	64	60 x 10
30	93,65	95,49	5,85 x 5	8/12H7	68	60 x 10
31	96,80	98,68	5,85 x 5	12H7	71	60 x 10
32	100,00	101,86	5,85 x 5	10/12H7	74	65 x 10
33	103,20	105,04	5,85 x 5	12H7	77	65 x 10
34	106,35	108,23	5,85 x 5	12H7	80	65 x 10
35	109,55	111,41	5,85 x 5	16H7	84	65 x 10
36	112,75	114,59	5,85 x 5	10/16H7	87	70 x 10
37	115,90	117,77	5,85 x 5	16H7	90	70 x 10
38	119,10	120,96	5,85 x 5	16H7	93	70 x 10
39	122,30	124,14	5,85 x 5	16H7	96	70 x 10
40	125,45	127,32	5,85 x 5	12/16H7	99	80 x 10
41	128,65	130,51	5,85 x 5	16H7	99	80 x 10

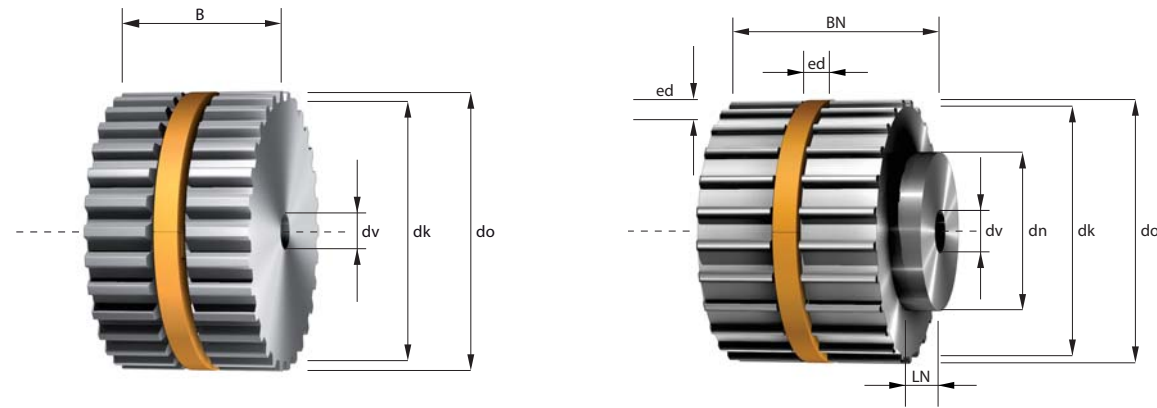
- = Standard ring sizes in stock
- = Stock-pulleys in width 27 mm, 34 mm + 52 mm

T 10

z	dk (mm)	do (mm)	ed (BxH) (mm)	dv (mm)	dmax (mm)	Hub (BxH) (mm)
42	131,85	133,69	5,85 x 5	16H7	102	80 x 10
43	135,00	136,87	5,85 x 5	16H7	105	80 x 10
44	138,20	140,06	5,85 x 5	12/16H7	108	88 x 10
45	141,40	143,24	5,85 x 5	16H7	111	90 x 10
46	144,50	146,42	5,85 x 5	16H7	115	90 x 10
47	147,75	149,61	5,85 x 5	16H7	118	90 x 10
48	150,95	152,79	5,85 x 5	16H7	121	95 x 10
49	154,10	155,97	5,85 x 5	16H7	124	95 x 10
50	157,30	159,15	5,85 x 5	16H7	127	95 x 10
51	160,50	162,34	5,85 x 5	16H7	131	95 x 10
52	163,65	165,52	5,85 x 5	16H7	134	95 x 10
53	166,85	168,70	5,85 x 5	16H7	137	95 x 10
54	170,05	171,89	5,85 x 5	16H7	140	110 x 10
55	173,20	175,07	5,85 x 5	16H7	143	110 x 10
56	176,40	178,25	5,85 x 5	16H7	146	110 x 10
57	179,60	181,44	5,85 x 5	16H7	150	110 x 10
58	182,75	184,62	5,85 x 5	16H7	153	110 x 10
59	185,95	187,80	5,85 x 5	16H7	156	110 x 10
60	189,15	190,99	5,85 x 5	16H7	159	110 x 10
61	192,30	194,17	5,85 x 5	16H7	162	110 x 10
62	195,50	197,35	5,85 x 5	16H7	166	110 x 10
63	198,70	200,54	5,85 x 5	16H7	169	140 x 10
64	201,85	203,72	5,85 x 5	16H7	172	140 x 10
65	205,05	206,90	5,85 x 5	16H7	175	140 x 10
66	208,25	210,08	5,85 x 5	16H7	178	140 x 10
67	211,40	213,27	5,85 x 5	16H7	181	140 x 10
68	214,60	216,45	5,85 x 5	16H7	185	140 x 10
69	217,80	219,63	5,85 x 5	16H7	188	140 x 10
70	220,95	222,82	5,85 x 5	16H7	191	140 x 10
71	224,15	226,00	5,85 x 5	16H7	194	140 x 10
72	227,35	229,18	5,85 x 5	16H7	197	140 x 10
73	230,50	232,37	5,85 x 5	20H7	201	140 x 10
74	233,70	235,55	5,85 x 5	20H7	204	140 x 10
75	236,90	238,73	5,85 x 5	20H7	207	140 x 10
76	240,05	241,92	5,85 x 5	20H7	210	140 x 10
77	243,25	245,10	5,85 x 5	20H7	213	160 x 10
78	246,40	248,28	5,85 x 5	20H7	216	160 x 10
79	249,60	251,46	5,85 x 5	20H7	216	160 x 10
80	252,80	254,65	5,85 x 5	20H7	218	160 x 10
81	255,95	257,83	5,85 x 5	20H7	221	160 x 10
82	259,15	261,01	5,85 x 5	20H7	224	160 x 10
83	262,35	264,20	5,85 x 5	20H7	227	160 x 10
84	265,50	267,38	5,85 x 5	20H7	231	160 x 10
85	268,70	270,56	5,85 x 5	20H7	234	160 x 10
86	271,90	273,75	5,85 x 5	20H7	237	160 x 10

z	dk (mm)	do (mm)	ed (BxH) (mm)	dv (mm)	dmax (mm)	Hub (BxH) (mm)
87	275,05	276,93	5,85 x 5	20H7	240	160 x 10
88	278,25	280,11	5,85 x 5	20H7	243	160 x 10
89	281,45	283,30	5,85 x 5	20H7	246	160 x 10
90	284,60	286,48	5,85 x 5	20H7	250	160 x 10
91	287,80	289,66	5,85 x 5	20H7	253	160 x 10
92	291,00	292,85	5,85 x 5	20H7	256	160 x 10
93	294,15	296,03	5,85 x 5	20H7	259	160 x 10
94	297,35	299,21	5,85 x 5	20H7	262	160 x 10
95	300,55	302,39	5,85 x 5	24H7	266	160 x 10
96	303,70	305,58	5,85 x 5	24H7	269	180 x 10
97	306,90	308,76	5,85 x 5	24H7	272	180 x 10
98	310,10	311,94	5,85 x 5	24H7	275	180 x 10
99	313,25	315,13	5,85 x 5	24H7	278	180 x 10
100	316,45	318,31	5,85 x 5	24H7	281	180 x 10
101	319,65	321,49	5,85 x 5	24H7	285	180 x 10
102	322,80	324,68	5,85 x 5	24H7	288	180 x 10
103	326,00	327,86	5,85 x 5	24H7	291	180 x 10
104	329,20	331,04	5,85 x 5	24H7	294	180 x 10
105	332,35	334,23	5,85 x 5	24H7	297	180 x 10
106	335,55	337,41	5,85 x 5	24H7	301	180 x 10
107	338,75	340,59	5,85 x 5	24H7	304	180 x 10
108	341,90	343,77	5,85 x 5	24H7	307	180 x 10
109	345,10	346,96	5,85 x 5	24H7	310	180 x 10
110	348,30	350,14	5,85 x 5	24H7	313	180 x 10
111	351,45	353,32	5,85 x 5	24H7	316	180 x 10
112	354,65	356,51	5,85 x 5	24H7	320	180 x 10
113	357,85	359,69	5,85 x 5	24H7	323	180 x 10
114	361,00	362,87	5,85 x 5	24H7	326	180 x 10

Synchronising pulleys easy drive® for cylindrical bore T-profile



- z = Number of teeth
- dk = Outside diameter
- do = Pitch diameter
- ed = easy drive® groove
- dv = Diameter of pre-bore
- dmax = max. bore diameter without feather key groove
- dh = Hub diameter
- wh = Hub width

Min. diameter of the tension rollers without contra-flexure 120 mm, with contra-flexure 150 mm.

Belt width = b (mm)	16	25	32	50	75	100	125	150
Total width = B (mm)	18	27	34	52	77	102	127	152
Total width with hub = BN (mm)	28	37	44	62	87	112	137	162

Other widths and larger sizes are available.

T 20

z	dk (mm)	do (mm)	ed (BxH) (mm)	dv (mm)	dmax (mm)	Hub (BxH) (mm)
15	92,65	98,49	*	12H7	63	60 x 10
16	99,00	101,86	*	12H7	69	70 x 10
17	105,35	108,23	*	12H7	75	70 x 10
18	111,75	114,59	*	12H7	82	70 x 10
19	118,10	120,96	*	12H7	88	80 x 10
20	124,45	127,32	*	16H7	95	90 x 10
21	130,85	133,69	*	16H7	101	90 x 10
22	137,20	140,06	*	16H7	107	90 x 10
23	143,55	146,42	*	16H7	114	90 x 10
24	149,95	152,79	*	16H7	120	95 x 10
25	156,30	159,15	*	16H7	126	95 x 10
26	162,65	165,52	*	16H7	133	95 x 10
27	169,05	171,89	*	16H7	139	110 x 10
28	175,40	178,25	*	16H7	145	110 x 10
29	181,75	184,62	*	16H7	152	110 x 10

z	dk (mm)	do (mm)	ed (BxH) (mm)	dv (mm)	dmax (mm)	Hub (BxH) (mm)
30	188,15	190,99	*	16H7	158	110 x 10
31	194,50	197,35	*	16H7	165	110 x 10
32	200,85	203,72	*	16H7	171	110 x 10
33	207,25	210,08	*	16H7	177	110 x 10
34	213,60	216,45	*	16H7	184	110 x 10
35	219,95	222,82	*	16H7	190	110 x 10
36	226,35	229,18	*	18H7	196	110 x 10
37	232,70	235,55	*	18H7	203	110 x 10
38	239,05	241,92	*	18H7	209	110 x 10
39	245,40	248,28	*	18H7	215	110 x 10
40	251,80	254,65	*	18H7	222	110 x 10
41	258,15	261,01	*	18H7	228	130 x 10
42	264,50	267,38	*	18H7	235	130 x 10
43	270,90	273,75	*	18H7	241	130 x 10
44	277,25	280,11	*	18H7	247	130 x 10

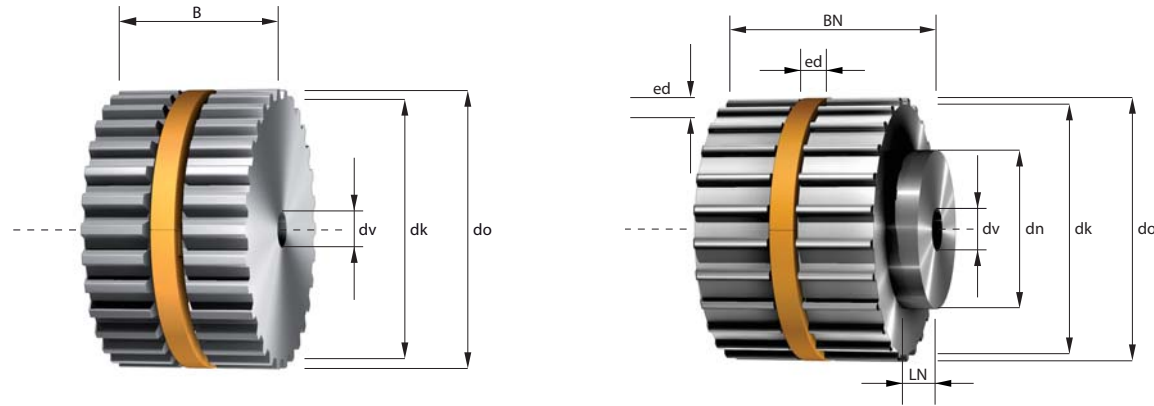
T 20

z	dk (mm)	do (mm)	ed (BxH) (mm)	dv (mm)	dmax (mm)	Hub (BxH) (mm)
45	283,60	286,48	*	18H7	254	130 x 10
46	290,00	292,85	*	18H7	260	130 x 10
47	296,35	299,21	*	18H7	266	130 x 10
48	302,70	305,58	*	18H7	273	130 x 10
49	309,10	311,94	*	20H7	279	130 x 10
50	315,45	318,31	*	20H7	285	140 x 10
51	321,80	324,68	*	20H7	292	140 x 10
52	328,20	331,04	*	20H7	298	140 x 10
53	334,55	337,41	*	20H7	305	140 x 10
54	340,90	343,77	*	20H7	311	140 x 10
55	347,30	350,14	*	20H7	317	140 x 10
56	353,65	356,51	*	20H7	324	140 x 10
57	360,00	362,87	*	20H7	330	140 x 10
58	366,40	369,24	*	20H7	336	140 x 10
59	372,75	375,61	*	20H7	343	140 x 10
60	379,10	381,97	*	20H7	349	140 x 10
61	385,50	388,34	*	20H7	356	140 x 10
62	391,85	394,70	*	20H7	362	140 x 10
63	398,20	401,07	*	20H7	368	140 x 10
64	404,55	407,44	*	20H7	375	140 x 10
65	410,95	413,80	*	20H7	381	140 x 10
66	417,30	420,17	*	20H7	387	140 x 10
67	423,65	426,54	*	20H7	394	140 x 10
68	430,05	432,90	*	20H7	400	140 x 10
69	436,40	439,27	*	20H7	406	140 x 10
70	442,75	445,63	*	20H7	413	140 x 10
71	449,15	452,00	*	20H7	419	140 x 10
72	455,50	458,37	*	20H7	426	140 x 10
73	461,85	464,73	*	30H7	432	160 x 10
74	468,25	471,10	*	30H7	438	160 x 10
75	474,60	477,46	*	30H7	445	160 x 10
76	480,95	483,83	*	30H7	451	160 x 10
77	487,35	490,20	*	30H7	457	160 x 10
78	493,70	496,56	*	30H7	464	160 x 10
79	500,05	502,93	*	30H7	470	160 x 10
80	506,45	509,30	*	30H7	471	
81	512,80	515,66	*	30H7	478	
82	519,15	522,03	*	30H7	484	
83	525,55	528,39	*	30H7	491	
84	531,90	534,76	*	30H7	497	
85	538,25	541,13	*	30H7	503	
86	544,65	547,49	*	30H7	510	
87	551,00	553,86	*	30H7	516	
88	557,35	560,23	*	30H7	522	
89	563,70	566,59	*	30H7	529	

z	dk (mm)	do (mm)	ed (BxH) (mm)	dv (mm)	dmax (mm)	Hub (BxH) (mm)
90	570,10	572,96	*	30H7	535	
91	576,45	579,32	*	30H7	541	
92	582,80	585,69	*	30H7	548	
93	589,20	592,06	*	30H7	554	
94	595,55	598,42	*	30H7	561	
95	601,90	604,79	*	40H7	567	
96	608,30	611,15	*	40H7	573	
97	614,65	617,52	*	40H7	580	
98	621,00	623,89	*	40H7	586	
99	627,40	630,25	*	40H7	592	
100	633,75	636,62	*	40H7	599	
101	640,10	642,99	*	40H7	605	
102	646,50	649,35	*	40H7	612	
103	652,85	655,72	*	40H7	618	
104	659,20	662,08	*	40H7	624	
105	665,60	668,45	*	40H7	631	
106	671,95	674,82	*	40H7	637	
107	678,30	681,18	*	40H7	643	
108	684,70	687,55	*	40H7	650	
109	691,05	693,92	*	40H7	656	
110	697,40	700,28	*	40H7	662	
111	703,80	706,65	*	40H7	669	
112	710,15	713,01	*	40H7	675	
113	716,50	719,38	*	40H7	682	
114	722,85	725,75	*	40H7	688	

* On request

Synchronising pulleys easy drive® for cylindrical bore AT-profile



- z = Number of teeth
- dk = Outside diameter
- do = Pitch diameter
- ed = easy drive® groove
- dv = Diameter of pre-bore
- dmax = max. bore diameter without feather key groove
- dh = Hub diameter
- wh = Hub width

Min. diameter of the tension rollers without contra-flexure 15 mm, with contra-flexure 20 mm.

Belt width = b (mm)	16	25	32	50
Total width = B (mm)	18	27	34	52
Total width with hub = BN (mm)	24	33	40	58

Other widths and larger sizes are available.

AT 3

z	dk (mm)	do (mm)	ed (BxH) (mm)	dv (mm)	dmax (mm)	Hub (BxH) (mm)
22	20,60	21,01	5,85 x 4	6H7	5	14 x 6
23	21,55	21,96	5,85 x 4	6H7	6	14 x 6
24	22,51	22,92	5,85 x 4	6H7	7	14 x 6
25	23,46	23,87	5,85 x 4	6H7	8	16 x 6
26	24,42	24,83	5,85 x 4	6H7	9	16 x 6
27	25,37	25,78	5,85 x 4	6H7	10	16 x 6
28	26,33	26,74	5,85 x 4	6H7	10	16 x 6
29	27,28	27,69	5,85 x 4	6H7	12	16 x 6
30	28,24	28,65	5,85 x 4	6H7	12	20 x 6
31	29,19	29,60	5,85 x 4	6H7	14	20 x 6
32	30,15	30,56	5,85 x 5	6H7	10	20 x 6
33	31,10	31,51	5,85 x 5	6H7	11	20 x 6
34	32,06	32,47	5,85 x 5	6H7	12	20 x 6
35	33,01	33,42	5,85 x 5	6H7	13	20 x 6
36	33,97	34,38	5,85 x 5	6H7	14	22 x 6

z	dk (mm)	do (mm)	ed (BxH) (mm)	dv (mm)	dmax (mm)	Hub (BxH) (mm)
37	34,92	35,33	5,85 x 5	6H7	14	22 x 6
38	35,88	36,29	5,85 x 5	6H7	15	22 x 6
39	36,83	37,24	5,85 x 5	6H7	16	22 x 6
40	37,79	38,20	5,85 x 5	6H7	17	26 x 6
41	38,74	39,15	5,85 x 5	6H7	18	26 x 6
42	39,70	40,11	5,85 x 5	6H7	19	26 x 6
43	40,65	41,06	5,85 x 5	6H7	20	26 x 6
44	41,61	42,02	5,85 x 5	6H7	21	30 x 6
45	42,56	42,97	5,85 x 5	6H7	22	30 x 6
46	43,52	43,93	5,85 x 5	6H7	23	30 x 6
47	44,47	44,88	5,85 x 5	6H7	24	30 x 6
48	45,43	45,84	5,85 x 5	6H7	25	34 x 6
49	46,38	46,79	5,85 x 5	6H7	26	34 x 6
50	47,34	47,75	5,85 x 5	6H7	27	34 x 6
51	48,29	48,70	5,85 x 5	6H7	28	34 x 6

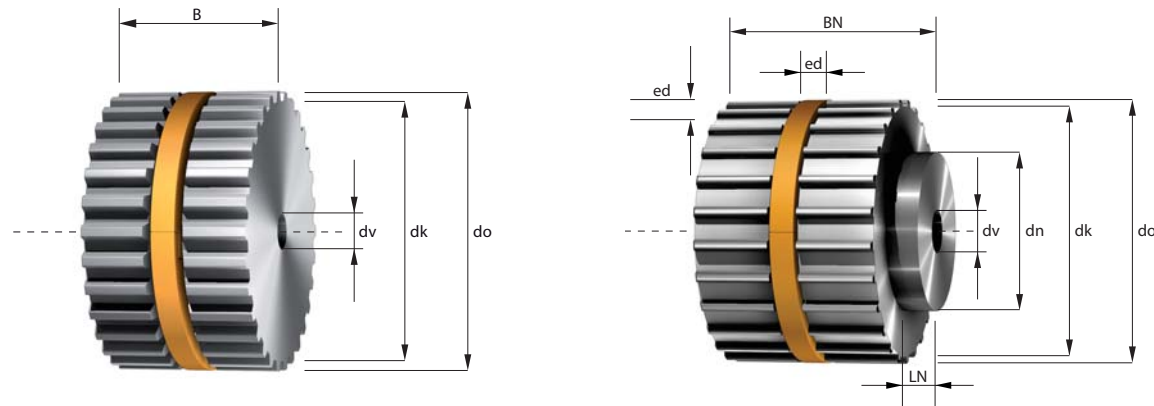
 = Standard ring sizes in stock

AT 3

z	dk (mm)	do (mm)	ed (BxH) (mm)	dv (mm)	dmax (mm)	Hub (BxH) (mm)
52	49,25	49,66	5,85 x 5	6H7	29	34 x 6
53	50,20	50,61	5,85 x 5	6H7	30	34 x 6
54	51,16	51,57	5,85 x 5	6H7	31	34 x 6
55	52,11	52,52	5,85 x 5	6H7	32	34 x 6
56	53,07	53,48	5,85 x 5	6H7	33	34 x 6
57	54,02	54,43	5,85 x 5	6H7	34	34 x 6
58	54,98	55,39	5,85 x 5	6H7	35	34 x 6
59	55,93	56,34	5,85 x 5	6H7	36	34 x 6
60	56,89	57,30	5,85 x 5	6H7	36	38 x 6
61	57,84	58,25	5,85 x 5	6H7	37	38 x 6
62	58,80	59,21	5,85 x 5	6H7	38	38 x 6
63	59,75	60,16	5,85 x 5	6H7	39	38 x 6
64	60,71	61,12	5,85 x 5	6H7	40	38 x 6
65	61,66	62,07	5,85 x 5	6H7	41	38 x 6
66	62,62	63,03	5,85 x 5	6H7	42	38 x 6
67	63,57	63,98	5,85 x 5	6H7	43	38 x 6
68	64,53	64,94	5,85 x 5	6H7	44	38 x 6
69	65,48	65,89	5,85 x 5	6H7	45	38 x 6
70	66,44	66,85	5,85 x 5	6H7	46	38 x 6
71	67,39	67,80	5,85 x 5	6H7	47	38 x 6
72	68,34	68,75	5,85 x 5	6H7	48	50 x 6
73	69,30	69,71	5,85 x 5	8H7	49	50 x 6
74	70,25	70,66	5,85 x 5	8H7	50	50 x 6
75	71,21	71,62	5,85 x 5	8H7	51	50 x 6
76	72,16	72,57	5,85 x 5	8H7	52	50 x 6
77	73,12	73,53	5,85 x 5	8H7	53	50 x 6
78	74,07	74,48	5,85 x 5	8H7	54	50 x 6
79	75,03	75,44	5,85 x 5	8H7	55	50 x 6
80	75,98	76,39	5,85 x 5	8H7	56	50 x 6
81	76,94	77,35	5,85 x 5	8H7	57	50 x 6
82	77,89	78,30	5,85 x 5	8H7	57	50 x 6
83	78,85	79,26	5,85 x 5	8H7	58	50 x 6
84	79,80	80,21	5,85 x 5	8H7	59	50 x 6
85	80,76	81,17	5,85 x 5	8H7	60	50 x 6
86	81,71	82,12	5,85 x 5	8H7	61	50 x 6
87	82,67	83,08	5,85 x 5	8H7	62	50 x 6
88	83,62	84,03	5,85 x 5	8H7	63	50 x 6
89	84,58	84,99	5,85 x 5	8H7	64	50 x 6
90	85,53	85,94	5,85 x 5	8H7	65	50 x 6
91	86,49	86,90	5,85 x 5	8H7	66	65 x 6
92	87,44	87,85	5,85 x 5	8H7	67	65 x 6
93	88,40	88,81	5,85 x 5	8H7	68	65 x 6
94	89,35	89,76	5,85 x 5	8H7	69	65 x 6
95	90,31	90,72	5,85 x 5	8H7	70	65 x 6
96	91,26	91,67	5,85 x 5	8H7	71	65 x 6

z	dk (mm)	do (mm)	ed (BxH) (mm)	dv (mm)	dmax (mm)	Hub (BxH) (mm)
97	92,22	92,63	5,85 x 5	8H7	72	65 x 6
98	93,17	93,58	5,85 x 5	8H7	73	65 x 6
99	94,13	94,54	5,85 x 5	8H7	74	65 x 6
100	95,08	95,49	5,85 x 5	8H7	75	65 x 6
101	96,04	96,45	5,85 x 5	8H7	76	65 x 6
102	96,99	97,40	5,85 x 5	8H7	77	65 x 6
103	97,95	98,36	5,85 x 5	8H7	78	65 x 6
104	98,90	99,31	5,85 x 5	8H7	79	65 x 6
105	99,86	100,27	5,85 x 5	8H7	80	65 x 6
106	100,81	101,22	5,85 x 5	10H7	80	65 x 6
107	101,77	102,18	5,85 x 5	10H7	81	65 x 6
108	102,72	103,13	5,85 x 5	10H7	82	65 x 6
109	103,68	104,09	5,85 x 5	10H7	83	65 x 6
110	104,63	105,04	5,85 x 5	10H7	84	65 x 6
111	105,59	106,00	5,85 x 5	10H7	85	65 x 6
112	106,54	106,95	5,85 x 5	10H7	86	65 x 6
113	107,50	107,91	5,85 x 5	10H7	87	65 x 6
114	108,45	108,86	5,85 x 5	10H7	88	65 x 6

Synchronising pulleys easy drive® for cylindrical bore AT-profile



- z = Number of teeth
- dk = Outside diameter
- do = Pitch diameter
- ed = easy drive® groove
- dv = Diameter of pre-bore
- dmax = max. bore diameter without feather key groove
- dh = Hub diameter
- wh = Hub width

Min. diameter of the tension rollers without contra-flexure 18 mm, with contra-flexure 50 mm.

Belt width = b (mm)	16	20	25	32	50	75	100	150
Total width = B (mm)	18	22	27	34	52	77	102	152
Total width with hub = BN (mm)	24	28	33	40	58	83	108	158

Other widths and larger sizes are available.

AT 5

z	dk (mm)	do (mm)	ed (BxH) (mm)	dv (mm)	dmax (mm)	Hub (BxH) (mm)
14	21,05	22,23	5,85 x 4	6H7	6	14 x 6
15	22,65	23,87	5,85 x 4	6H7	7	16 x 6
16	24,24	25,46	5,85 x 4	6H7	9	18 x 6
17	25,84	27,06	5,85 x 4	6H7	10	18 x 6
18	27,43	28,65	5,85 x 4	6H7	12	20 x 6
19	29,02	30,24	5,85 x 4	6H7	14	22 x 6
20	30,60	31,83	5,85 x 5	6H7	10	24 x 6
21	32,20	33,42	5,85 x 5	6H7	12	24 x 6
22	33,79	35,01	5,85 x 5	6H7	13	24 x 6
23	35,39	36,61	5,85 x 5	8H7	15	24 x 6
24	36,98	38,20	5,85 x 5	8H7	16	26 x 6
25	38,57	39,79	5,85 x 5	8H7	19	26 x 6
26	40,16	41,38	5,85 x 5	8H7	20	26 x 6
27	41,75	42,97	5,85 x 5	8H7	22	30 x 6
28	43,34	44,56	5,85 x 5	8H7	23	32 x 6

z	dk (mm)	do (mm)	ed (BxH) (mm)	dv (mm)	dmax (mm)	Hub (BxH) (mm)
29	44,93	46,15	5,85 x 5	8H7	25	32 x 6
30	46,53	47,75	5,85 x 5	8H7	27	34 x 6
31	48,12	49,34	5,85 x 5	8H7	28	34 x 6
32	49,71	50,93	5,85 x 5	8H7	30	38 x 6
33	51,30	52,52	5,85 x 5	8H7	31	38 x 6
34	52,89	54,11	5,85 x 5	8H7	33	38 x 6
35	54,48	55,7	5,85 x 5	8H7	34	38 x 6
36	56,08	57,3	5,85 x 5	8H7	36	38 x 6
37	57,67	58,89	5,85 x 5	8H7	38	38 x 6
38	59,26	60,48	5,85 x 5	8H7	39	38 x 6
39	60,85	62,07	5,85 x 5	8H7	40	38 x 6
40	62,44	63,66	5,85 x 5	8H7	40	40 x 6
41	64,03	65,25	5,85 x 5	8H7	40	40 x 6
42	65,63	66,85	5,85 x 5	8H7	40	40 x 6
43	67,22	68,44	5,85 x 5	8H7	42	40 x 6

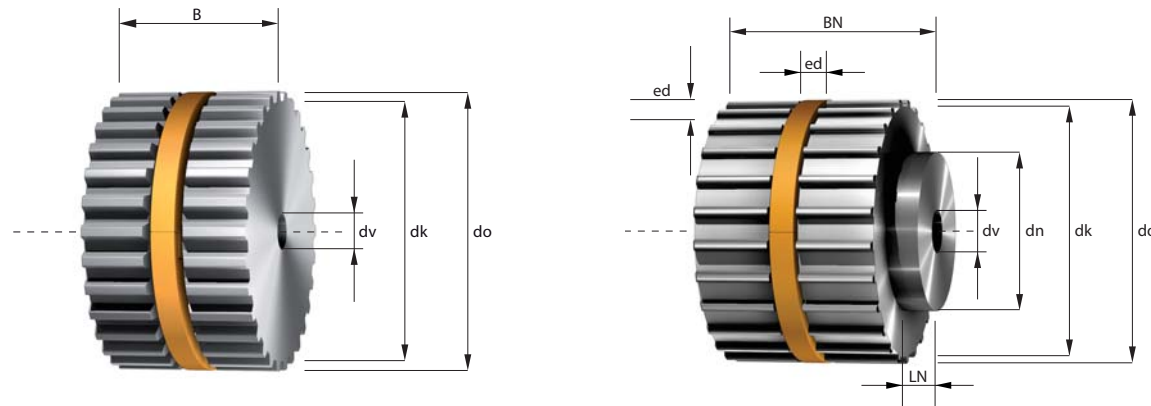
 = Standard ring sizes in stock
 = Stock-pulleys in width 27 mm, 34 mm + 52 mm

AT 5

z	dk (mm)	do (mm)	ed (BxH) (mm)	dv (mm)	dmax (mm)	Hub (BxH) (mm)
44	68,81	70,03	5,85 x 5	8H7	43	50 x 6
45	70,40	71,62	5,85 x 5	8H7	45	50 x 6
46	71,99	73,21	5,85 x 5	8H7	47	50 x 6
47	73,58	74,80	5,85 x 5	8H7	48	50 x 6
48	75,19	76,39	5,85 x 5	8H7	50	50 x 6
49	76,77	77,99	5,85 x 5	8H7	50	50 x 6
50	78,36	79,58	5,85 x 5	8H7	53	50 x 6
51	79,95	81,17	5,85 x 5	8H7	55	50 x 6
52	81,54	82,76	5,85 x 5	8H7	57	50 x 6
53	83,13	84,35	5,85 x 5	8H7	58	50 x 6
54	84,72	85,94	5,85 x 5	8H7	60	50 x 6
55	86,32	87,54	5,85 x 5	8H7	61	50 x 6
56	87,91	89,13	5,85 x 5	8H7	63	50 x 6
57	89,50	90,72	5,85 x 5	8H7	63	50 x 6
58	91,09	92,31	5,85 x 5	8H7	66	50 x 6
59	92,68	93,90	5,85 x 5	8H7	68	50 x 6
60	94,27	95,49	5,85 x 5	8H7	69	65 x 6
61	95,86	97,08	5,85 x 5	8H7	71	65 x 6
62	97,46	98,68	5,85 x 5	8H7	72	65 x 6
63	99,05	100,27	5,85 x 5	8H7	74	65 x 6
64	100,64	101,86	5,85 x 5	8H7	76	65 x 6
65	102,23	103,45	5,85 x 5	8H7	77	65 x 6
66	103,89	105,04	5,85 x 5	8H7	79	65 x 6
67	105,41	106,63	5,85 x 5	8H7	80	65 x 6
68	107,01	108,23	5,85 x 5	8H7	82	65 x 6
69	108,60	109,82	5,85 x 5	8H7	84	65 x 6
70	110,19	111,41	5,85 x 5	8H7	85	65 x 6
71	111,78	113,00	5,85 x 5	8H7	87	65 x 6
72	113,37	114,59	5,85 x 5	8H7	88	80 x 6
73	114,96	116,18	5,85 x 5	10H7	90	80 x 6
74	116,55	117,77	5,85 x 5	10H7	92	80 x 6
75	118,15	119,37	5,85 x 5	10H7	93	80 x 6
76	119,74	120,96	5,85 x 5	10H7	95	80 x 6
77	121,33	122,55	5,85 x 5	10H7	96	80 x 6
78	122,92	124,14	5,85 x 5	10H7	98	80 x 6
79	124,51	125,73	5,85 x 5	10H7	100	80 x 6
80	126,10	127,32	5,85 x 5	10H7	101	80 x 6
81	127,70	128,92	5,85 x 5	10H7	103	80 x 6
82	129,29	130,51	5,85 x 5	10H7	104	80 x 6
83	130,88	132,1	5,85 x 5	10H7	106	80 x 6
84	132,47	133,69	5,85 x 5	10H7	107	80 x 6
85	134,06	135,28	5,85 x 5	10H7	109	80 x 6
86	135,65	136,87	5,85 x 5	10H7	111	80 x 6
87	137,24	138,46	5,85 x 5	10H7	112	80 x 6
88	138,84	140,06	5,85 x 5	10H7	114	80 x 6

z	dk (mm)	do (mm)	ed (BxH) (mm)	dv (mm)	dmax (mm)	Hub (BxH) (mm)
89	140,43	141,65	5,85 x 5	10H7	115	80 x 6
90	142,02	143,24	5,85 x 5	10H7	117	80 x 6
91	143,61	144,83	5,85 x 5	10H7	119	90 x 6
92	145,20	146,42	5,85 x 5	10H7	120	90 x 6
93	146,79	148,01	5,85 x 5	10H7	122	90 x 6
94	148,39	149,61	5,85 x 5	10H7	123	90 x 6
95	149,98	151,2	5,85 x 5	10H7	125	90 x 6
96	151,57	152,79	5,85 x 5	10H7	127	90 x 6
97	153,16	154,38	5,85 x 5	10H7	128	90 x 6
98	154,75	155,97	5,85 x 5	10H7	130	90 x 6
99	156,34	157,56	5,85 x 5	10H7	131	90 x 6
100	157,93	159,15	5,85 x 5	10H7	133	90 x 6
101	159,53	160,75	5,85 x 5	12H7	135	95 x 6
102	161,12	162,34	5,85 x 5	12H7	136	95 x 6
103	162,71	163,93	5,85 x 5	12H7	138	95 x 6
104	164,30	165,52	5,85 x 5	12H7	139	95 x 6
105	165,89	167,11	5,85 x 5	12H7	141	95 x 6
106	167,48	168,7	5,85 x 5	12H7	142	95 x 6
107	169,08	170,3	5,85 x 5	12H7	144	95 x 6
108	170,67	171,89	5,85 x 5	12H7	146	95 x 6
109	172,26	173,48	5,85 x 5	12H7	147	110 x 6
110	173,85	175,07	5,85 x 5	12H7	149	110 x 6
111	175,44	176,66	5,85 x 5	12H7	150	110 x 6
112	177,03	178,25	5,85 x 5	12H7	152	110 x 6
113	178,63	179,85	5,85 x 5	12H7	154	110 x 6
114	180,22	181,44	5,85 x 5	12H7	155	110 x 6

Synchronising pulleys easy drive® for cylindrical bore AT-profile



- z = Number of teeth
- dk = Outside diameter
- do = Pitch diameter
- ed = easy drive® groove
- dv = Diameter of pre-bore
- dmax = max. bore diameter without feather key groove
- dh = Hub diameter
- wh = Hub width

Min. diameter of the tension rollers without contra-flexure 50 mm, with contra-flexure 120 mm.

Belt width = b (mm)	16	25	32	50	75	100	150
Total width = B (mm)	18	27	34	52	77	102	152
Total width with hub = BN (mm)	28	37	44	62	87	112	162

Other widths and larger sizes are available.

AT 10

z	dk (mm)	do (mm)	ed (BxH) (mm)	dv (mm)	dmax (mm)	Hub (BxH) (mm)
12	36,35	38,35	5,85 x 5	6H7	14	28 x 10
13	39,55	41,38	5,85 x 5	8H7	15	32 x 10
14	42,70	44,70	5,85 x 5	8H7	17	32 x 10
15	45,93	47,75	5,85 x 5	8H7	20	32 x 10
16	49,11	50,93	5,85 x 5	8H7	23	35 x 10
17	52,29	54,11	5,85 x 5	8H7	26	40 x 10
18	55,48	57,30	5,85 x 5	8/10H7	27	40 x 10
19	58,66	60,48	5,85 x 5	8/10H7	29	44 x 10
20	61,84	63,66	5,85 x 5	12H7	36	46 x 10
21	65,03	66,85	5,85 x 5	12H7	39	46 x 10
22	68,21	70,03	5,85 x 5	12H7	42	50 x 10
23	71,39	73,21	5,85 x 5	12H7	45	50 x 10
24	74,57	76,39	5,85 x 5	12H7	49	58 x 10
25	77,77	79,58	5,85 x 5	12H7	52	60 x 10
26	80,94	82,76	5,85 x 5	12H7	55	60 x 10

z	dk (mm)	do (mm)	ed (BxH) (mm)	dv (mm)	dmax (mm)	Hub (BxH) (mm)
27	84,12	85,94	5,85 x 5	12H7	58	60 x 10
28	87,31	89,13	5,85 x 5	12H7	61	60 x 10
29	90,49	92,31	5,85 x 5	12H7	64	60 x 10
30	93,67	95,49	5,85 x 5	12H7	68	60 x 10
31	96,86	98,68	5,85 x 5	12H7	71	60 x 10
32	100,04	101,86	5,85 x 5	12H7	74	65 x 10
33	103,22	105,04	5,85 x 5	12H7	77	65 x 10
34	106,41	108,23	5,85 x 5	12H7	80	65 x 10
35	109,59	111,41	5,85 x 5	16H7	84	65 x 10
36	112,77	114,59	5,85 x 5	16H7	87	70 x 10
37	115,95	117,77	5,85 x 5	16H7	90	70 x 10
38	119,14	120,96	5,85 x 5	16H7	93	70 x 10
39	122,32	124,14	5,85 x 5	16H7	96	70 x 10
40	125,50	127,32	5,85 x 5	16H7	99	80 x 10
41	128,69	130,51	5,85 x 5	16H7	102	80 x 10

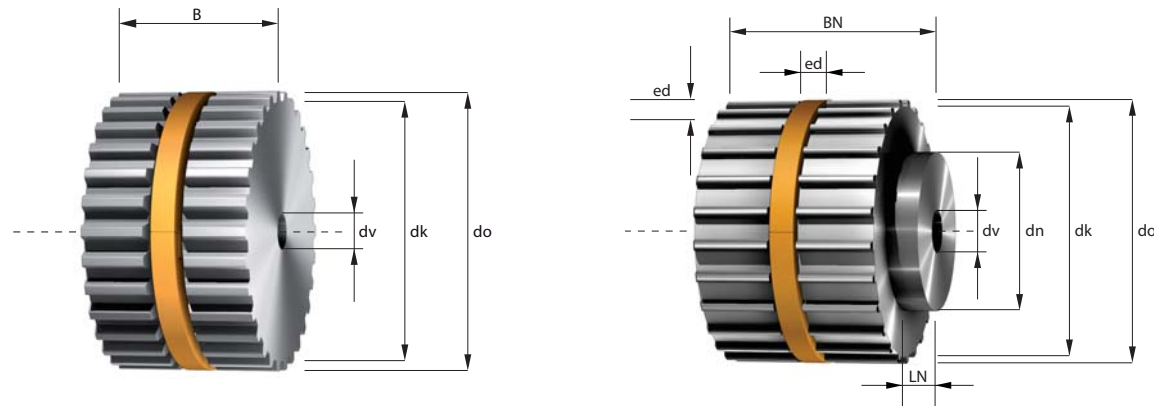
- = Standard ring sizes in stock
- = Stock-pulleys in width 27 mm, 34 mm + 52 mm

AT 10

z	dk (mm)	do (mm)	ed (BxH) (mm)	dv (mm)	dmax (mm)	Hub (BxH) (mm)
42	131,82	133,69	5,85 x 5	16H7	105	80 x 10
43	134,12	136,87	5,85 x 5	16H7	108	80 x 10
44	138,24	140,06	5,85 x 5	16H7	112	90 x 10
45	141,42	143,24	5,85 x 5	16H7	115	90 x 10
46	144,60	146,42	5,85 x 5	16H7	120	90 x 10
47	147,79	149,61	5,85 x 5	16H7	122	90 x 10
48	150,92	152,79	5,85 x 5	16H7	125	95 x 10
49	154,15	155,97	5,85 x 5	16H7	128	95 x 10
50	157,33	159,15	5,85 x 5	16H7	127	95 x 10
51	160,52	162,34	5,85 x 5	16H7	131	95 x 10
52	163,70	165,52	5,85 x 5	16H7	134	110 x 10
53	166,88	168,70	5,85 x 5	16H7	137	110 x 10
54	170,07	171,89	5,85 x 5	16H7	140	110 x 10
55	173,25	175,07	5,85 x 5	16H7	143	110 x 10
56	176,43	178,25	5,85 x 5	16H7	146	110 x 10
57	179,62	181,44	5,85 x 5	16H7	150	110 x 10
58	182,80	184,62	5,85 x 5	16H7	153	110 x 10
59	185,98	187,80	5,85 x 5	16H7	156	110 x 10
60	189,17	190,99	5,85 x 5	16H7	159	110 x 10
61	192,35	194,17	5,85 x 5	16H7	162	110 x 10
62	195,53	197,35	5,85 x 5	16H7	166	110 x 10
63	198,72	200,54	5,85 x 5	16H7	169	140 x 10
64	201,90	203,72	5,85 x 5	16H7	172	140 x 10
65	205,08	206,90	5,85 x 5	16H7	175	140 x 10
66	208,26	210,08	5,85 x 5	16H7	178	140 x 10
67	211,45	213,27	5,85 x 5	16H7	181	140 x 10
68	214,63	216,45	5,85 x 5	16H7	185	140 x 10
69	217,81	219,63	5,85 x 5	16H7	188	140 x 10
70	221,00	222,82	5,85 x 5	16H7	191	140 x 10
71	224,18	226,00	5,85 x 5	16H7	194	140 x 10
72	227,36	229,18	5,85 x 5	20H7	197	140 x 10
73	230,55	232,37	5,85 x 5	20H7	201	140 x 10
74	233,79	235,55	5,85 x 5	20H7	204	140 x 10
75	236,91	238,73	5,85 x 5	20H7	207	140 x 10
76	240,10	241,92	5,85 x 5	20H7	210	140 x 10
77	243,28	245,10	5,85 x 5	20H7	213	160 x 10
78	246,46	248,28	5,85 x 5	20H7	216	160 x 10
79	249,64	251,46	5,85 x 5	20H7	218	160 x 10
80	252,83	254,65	5,85 x 5	20H7	218	160 x 10
81	256,01	257,83	5,85 x 5	20H7	221	160 x 10
82	259,19	261,01	5,85 x 5	20H7	224	160 x 10
83	262,38	264,20	5,85 x 5	20H7	227	160 x 10
84	265,38	267,38	5,85 x 5	20H7	230	160 x 10
85	268,74	270,56	5,85 x 5	20H7	234	160 x 10
86	271,93	273,75	5,85 x 5	20H7	237	160 x 10

z	dk (mm)	do (mm)	ed (BxH) (mm)	dv (mm)	dmax (mm)	Hub (BxH) (mm)
87	275,11	276,93	5,85 x 5	20H7	240	160 x 10
88	278,29	280,11	5,85 x 5	20H7	243	160 x 10
89	281,48	283,30	5,85 x 5	20H7	246	160 x 10
90	284,66	286,48	5,85 x 5	20H7	250	160 x 10
91	287,84	289,66	5,85 x 5	20H7	253	160 x 10
92	291,03	292,85	5,85 x 5	20H7	256	160 x 10
93	294,21	296,03	5,85 x 5	20H7	259	160 x 10
94	297,39	299,21	5,85 x 5	20H7	262	160 x 10
95	300,57	302,39	5,85 x 5	24H7	266	160 x 10
96	303,76	305,58	5,85 x 5	24H7	269	180 x 10
97	306,94	308,76	5,85 x 5	24H7	272	180 x 10
98	310,12	311,94	5,85 x 5	24H7	275	180 x 10
99	313,31	315,13	5,85 x 5	24H7	278	180 x 10
100	316,49	318,31	5,85 x 5	24H7	281	180 x 10
101	319,67	321,49	5,85 x 5	24H7	285	180 x 10
102	322,86	324,68	5,85 x 5	24H7	288	180 x 10
103	326,04	327,86	5,85 x 5	24H7	291	180 x 10
104	329,22	331,04	5,85 x 5	24H7	294	180 x 10
105	332,41	334,23	5,85 x 5	24H7	297	180 x 10
106	335,59	337,41	5,85 x 5	24H7	301	180 x 10
107	338,77	340,59	5,85 x 5	24H7	304	180 x 10
108	341,95	343,77	5,85 x 5	24H7	307	180 x 10
109	345,14	346,96	5,85 x 5	24H7	310	180 x 10
110	348,32	350,14	5,85 x 5	24H7	313	180 x 10
111	351,50	353,32	5,85 x 5	24H7	317	180 x 10
112	354,69	356,51	5,85 x 5	24H7	320	180 x 10
113	357,87	359,69	5,85 x 5	24H7	323	180 x 10
114	361,05	362,87	5,85 x 5	24H7	326	180 x 10

Synchronising pulleys easy drive® for cylindrical bore AT-profile



- z = Number of teeth
- dk = Outside diameter
- do = Pitch diameter
- ed = easy drive® groove
- dv = Diameter of pre-bore
- dmax = max. bore diameter without feather key groove
- dh = Hub diameter
- wh = Hub width

Min. diameter of the tension rollers without contra-flexure 120 mm, with contra-flexure 180 mm.

Belt width = b (mm)	16	25	32	50	75	100	125	150
Total width = B (mm)	18	27	34	52	77	102	127	152
Total width with hub = BN (mm)	28	37	44	62	87	112	137	162

Other widths and larger sizes are available.

AT 20

z	dk (mm)	do (mm)	ed (BxH) (mm)	dv (mm)	dmax (mm)	Hub (BxH) (mm)
18	111,77	114,59	*	12H7	82	70 x 10
19	118,14	120,96	*	12H7	88	80 x 10
20	124,50	127,32	*	16H7	95	90 x 10
21	130,87	133,69	*	16H7	101	90 x 10
22	137,24	140,06	*	16H7	107	90 x 10
23	143,60	146,42	*	16H7	114	90 x 10
24	149,97	152,79	*	16H7	120	95 x 10
25	156,33	159,15	*	16H7	126	95 x 10
26	162,70	165,52	*	16H7	133	95 x 10
27	169,07	171,89	*	16H7	139	110 x 10
28	175,43	178,25	*	16H7	145	110 x 10
29	181,80	184,62	*	16H7	152	110 x 10
30	188,17	190,99	*	16H7	158	110 x 10
31	194,53	197,35	*	16H7	165	110 x 10
32	200,90	203,72	*	16H7	171	110 x 10

z	dk (mm)	do (mm)	ed (BxH) (mm)	dv (mm)	dmax (mm)	Hub (BxH) (mm)
33	207,26	210,08	*	16H7	177	110 x 10
34	213,63	216,45	*	16H7	184	110 x 10
35	220,00	222,82	*	16H7	190	110 x 10
36	226,36	229,18	*	18H7	196	110 x 10
37	232,73	235,55	*	18H7	203	110 x 10
38	239,10	241,92	*	18H7	209	110 x 10
39	245,46	248,28	*	18H7	215	110 x 10
40	251,83	254,65	*	18H7	222	110 x 10
41	258,19	261,01	*	18H7	228	130 x 10
42	264,56	267,38	*	18H7	235	130 x 10
43	270,93	273,75	*	18H7	241	130 x 10
44	277,29	280,11	*	18H7	247	130 x 10
45	283,66	286,48	*	18H7	254	130 x 10
46	290,03	292,85	*	18H7	260	130 x 10
47	296,39	299,21	*	18H7	266	130 x 10

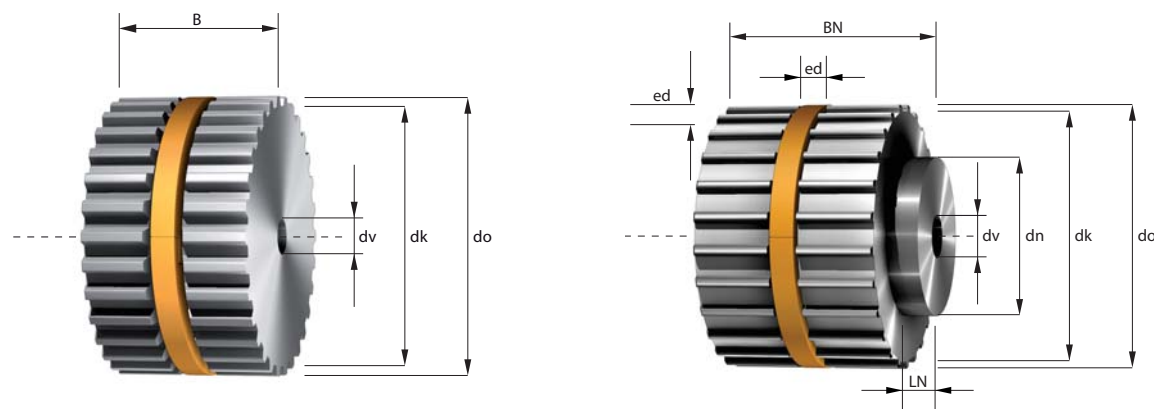
AT 20

z	dk (mm)	do (mm)	ed (BxH) (mm)	dv (mm)	dmax (mm)	Hub (BxH) (mm)
48	302,76	305,58	*	18H7	273	130 x 10
49	309,12	311,94	*	20H7	279	140 x 10
50	315,49	318,31	*	20H7	285	140 x 10
51	321,86	324,68	*	20H7	292	140 x 10
52	328,22	331,04	*	20H7	298	140 x 10
53	334,59	337,41	*	20H7	305	140 x 10
54	340,95	343,77	*	20H7	311	140 x 10
55	347,32	350,14	*	20H7	317	140 x 10
56	353,69	356,51	*	20H7	324	140 x 10
57	360,05	362,87	*	20H7	330	140 x 10
58	366,42	369,24	*	20H7	336	140 x 10
59	372,79	375,61	*	20H7	343	140 x 10
60	379,15	381,97	*	20H7	349	140 x 10
61	385,52	388,34	*	20H7	356	140 x 10
62	391,88	394,70	*	20H7	362	140 x 10
63	398,25	401,07	*	20H7	368	140 x 10
64	404,62	407,44	*	20H7	375	140 x 10
65	410,98	413,80	*	20H7	381	140 x 10
66	417,35	420,17	*	20H7	387	140 x 10
67	423,72	426,54	*	20H7	394	140 x 10
68	430,08	432,90	*	20H7	400	140 x 10
69	436,45	439,27	*	20H7	406	140 x 10
70	442,81	445,63	*	20H7	413	140 x 10
71	449,18	452,00	*	20H7	419	140 x 10
72	455,55	458,37	*	20H7	426	140 x 10
73	461,91	464,73	*	30H7	432	160 x 10
74	468,28	471,10	*	30H7	438	160 x 10
75	474,64	477,46	*	30H7	445	160 x 10
76	481,01	483,83	*	30H7	451	160 x 10
77	487,38	490,20	*	30H7	457	160 x 10
78	493,74	496,56	*	30H7	464	160 x 10
79	500,11	502,93	*	30H7	470	160 x 10
80	506,48	509,30	*	30H7	471	200 x 10
81	512,84	515,66	*	30H7	478	200 x 10
82	519,21	522,03	*	30H7	484	200 x 10
83	525,57	528,39	*	30H7	491	200 x 10
84	531,94	534,76	*	30H7	497	200 x 10
85	538,31	541,13	*	30H7	503	200 x 10
86	544,67	547,49	*	30H7	510	200 x 10
87	551,04	553,86	*	30H7	516	200 x 10
88	557,41	560,23	*	30H7	522	200 x 10
89	563,77	566,59	*	30H7	529	200 x 10
90	570,14	572,96	*	30H7	535	200 x 10
91	576,50	579,32	*	30H7	542	200 x 10
92	582,87	585,69	*	30H7	548	200 x 10

z	dk (mm)	do (mm)	ed (BxH) (mm)	dv (mm)	dmax (mm)	Hub (BxH) (mm)
93	589,24	592,06	*	30H7	554	200 x 10
94	595,60	598,42	*	30H7	561	200 x 10
95	601,97	604,79	*	40H7	567	200 x 10
96	608,33	611,15	*	40H7	573	200 x 10
97	614,70	617,52	*	40H7	580	200 x 10
98	621,07	623,89	*	40H7	586	200 x 10
99	627,43	630,25	*	40H7	592	200 x 10
100	633,80	636,62	*	40H7	599	200 x 10
101	640,17	642,99	*	40H7	605	200 x 10
102	646,53	649,35	*	40H7	612	200 x 10
103	652,90	655,72	*	40H7	618	200 x 10
104	659,26	662,08	*	40H7	624	200 x 10
105	665,63	668,45	*	40H7	631	200 x 10
106	672,00	674,82	*	40H7	637	200 x 10
107	678,36	681,18	*	40H7	643	200 x 10
108	684,73	687,55	*	40H7	650	200 x 10
109	691,10	693,92	*	40H7	656	200 x 10
110	697,46	700,28	*	40H7	662	200 x 10
111	703,83	706,65	*	40H7	669	200 x 10
112	710,19	713,01	*	40H7	675	200 x 10
113	716,56	719,38	*	40H7	682	200 x 10
114	722,93	725,75	*	40H7	688	200 x 10

* On request

Synchronising pulleys easy drive® for cylindrical bore HTD-profile



- z = Number of teeth
- dk = Outside diameter
- do = Pitch diameter
- ed = easy drive® groove
- dv = Diameter of pre-bore
- dmax = max. bore diameter without feather key groove
- dh = Hub diameter
- wh = Hub width

Min. diameter of the tension rollers without contra-flexure 20 mm, with contra-flexure 20 mm.

Belt width = b (mm)	15	20	25	30	50
Total width = B (mm)	17	22	27	32	52
Total width with hub = BN (mm)	B + 6,5/10,0 mm				

Other widths and larger sizes are available.

HTD3M

z	dk (mm)	do (mm)	ed (BxH) (mm)	dv (mm)	dmax (mm)	Hub (BxH) (mm)
23	21,20	21,96	5,85 x 4	0	6	13 x 6,5
24	22,16	22,92	5,85 x 4	0	7	13 x 6,5
25	23,11	23,87	5,85 x 4	0	8	13 x 6,5
26	24,07	24,83	5,85 x 4	0	9	16 x 6,5
27	25,02	25,78	5,85 x 4	0	9	16 x 6,5
28	25,98	26,74	5,85 x 4	0	10	18 x 6,5
29	26,93	27,69	5,85 x 4	0	10	18 x 6,5
30	27,89	28,65	5,85 x 4	0	12	20 x 6,5
31	28,84	29,60	5,85 x 4	0	12	20 x 6,5
32	29,80	30,56	5,85 x 4	0	13	22 x 6,5
33	30,75	31,51	5,85 x 5	0	10	22 x 6,5
34	31,71	32,47	5,85 x 5	0	11	22 x 6,5
35	32,66	33,42	5,85 x 5	0	12	22 x 6,5
36	33,62	34,38	5,85 x 5	0	13	26 x 10
37	34,57	35,33	5,85 x 5	0	14	26 x 10

z	dk (mm)	do (mm)	ed (BxH) (mm)	dv (mm)	dmax (mm)	Hub (BxH) (mm)
38	35,53	36,29	5,85 x 5	0	15	26 x 10
39	36,48	37,24	5,85 x 5	0	16	26 x 10
40	37,44	38,20	5,85 x 5	0	17	28 x 10
41	38,39	39,15	5,85 x 5	0	18	28 x 10
42	39,35	40,11	5,85 x 5	0	19	28 x 10
43	40,30	41,06	5,85 x 5	0	20	28 x 10
44	41,26	42,02	5,85 x 5	0	21	33 x 10
45	42,21	42,97	5,85 x 5	8	22	33 x 10
46	43,17	43,93	5,85 x 5	8	22	33 x 10
47	44,12	44,88	5,85 x 5	8	22	33 x 10
48	45,08	45,84	5,85 x 5	8	23	33 x 10
49	46,03	46,79	5,85 x 5	8	24	33 x 10
50	46,99	47,75	5,85 x 5	8	24	33 x 10
51	47,94	48,70	5,85 x 5	8	25	33 x 10
52	48,90	49,66	5,85 x 5	8	25	33 x 10

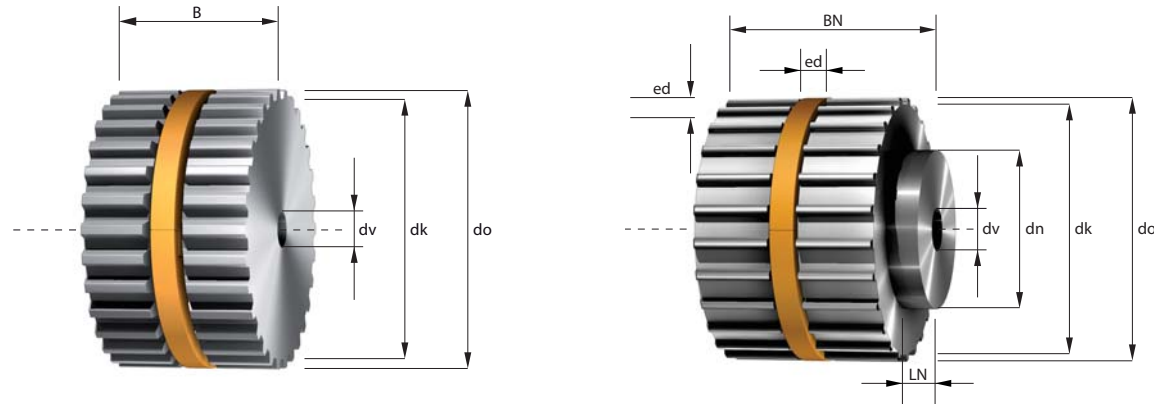
 = Standard ring sizes in stock

HTD3M

z	dk (mm)	do (mm)	ed (BxH) (mm)	dv (mm)	dmax (mm)	Hub (BxH) (mm)
53	49,85	50,61	5,85 x 5	8	26	33 x 10
54	50,81	51,57	5,85 x 5	8	26	33 x 10
55	51,75	52,52	5,85 x 5	8	27	33 x 10
56	52,72	53,48	5,85 x 5	8	28	33 x 10
57	53,67	54,43	5,85 x 5	8	29	33 x 10
58	54,63	55,39	5,85 x 5	8	30	33 x 10
59	55,58	56,34	5,85 x 5	8	31	33 x 10
60	56,54	57,30	5,85 x 5	8	32	33 x 10
61	57,49	58,25	5,85 x 5	8	33	33 x 10
62	58,45	59,21	5,85 x 5	8	34	33 x 10
63	59,40	60,16	5,85 x 5	8	35	33 x 10
64	60,36	61,12	5,85 x 5	8	36	33 x 10
65	61,31	62,07	5,85 x 5	8	37	33 x 10
66	62,27	63,03	5,85 x 5	8	38	33 x 10
67	63,22	63,98	5,85 x 5	8	39	33 x 10
68	64,18	64,94	5,85 x 5	8	40	33 x 10
69	65,13	65,89	5,85 x 5	8	41	33 x 10
70	66,09	66,85	5,85 x 5	8	42	33 x 10
71	67,04	67,80	5,85 x 5	8	43	33 x 10
72	67,99	68,75	5,85 x 5	8	43	33 x 10
73	68,95	69,71	5,85 x 5	8	44	
74	69,90	70,66	5,85 x 5	8	45	
75	70,86	71,62	5,85 x 5	8	46	
76	71,81	72,57	5,85 x 5	8	47	
77	72,77	73,53	5,85 x 5	8	48	
78	73,72	74,48	5,85 x 5	8	49	
79	74,68	75,44	5,85 x 5	8	50	
80	75,63	76,39	5,85 x 5	8	51	
81	76,59	77,35	5,85 x 5	8	52	
82	77,54	78,30	5,85 x 5	8	53	
83	78,50	79,26	5,85 x 5	8	54	
84	79,45	80,21	5,85 x 5	8	55	
85	80,41	81,17	5,85 x 5	8	56	
86	81,36	82,12	5,85 x 5	8	57	
87	82,32	83,08	5,85 x 5	8	58	
88	83,27	84,03	5,85 x 5	8	59	
89	84,23	84,99	5,85 x 5	8	60	
90	85,18	85,94	5,85 x 5	8	61	
91	86,14	86,90	5,85 x 5	8	62	
92	87,09	87,85	5,85 x 5	8	63	
93	88,05	88,81	5,85 x 5	8	64	
94	89,00	89,76	5,85 x 5	8	65	
95	89,96	90,72	5,85 x 5	8	65	
96	90,91	91,67	5,85 x 5	8	66	
97	91,87	92,63	5,85 x 5	8	67	

z	dk (mm)	do (mm)	ed (BxH) (mm)	dv (mm)	dmax (mm)	Hub (BxH) (mm)
98	92,82	93,59	5,85 x 5	8	68	
99	93,78	94,54	5,85 x 5	8	69	
100	94,73	95,49	5,85 x 5	8	70	
101	95,69	96,45	5,85 x 5	8	71	
102	96,64	97,40	5,85 x 5	8	72	
103	97,50	98,36	5,85 x 5	8	73	
104	98,55	99,31	5,85 x 5	8	74	
105	99,51	100,27	5,85 x 5	8	75	
106	100,46	101,22	5,85 x 5	8	76	
107	101,42	102,18	5,85 x 5	8	77	
108	102,37	103,13	5,85 x 5	8	78	
109	103,33	104,09	5,85 x 5	8	79	
110	104,28	105,04	5,85 x 5	8	80	
111	105,24	106,00	5,85 x 5	8	81	
112	106,19	106,95	5,85 x 5	8	82	
113	107,15	107,91	5,85 x 5	8	83	
114	108,10	108,86	5,85 x 5	8	84	
115	109,05	109,82	5,85 x 5	8	85	
116	110,01	110,77	5,85 x 5	8	86	
117	110,97	111,73	5,85 x 5	8	87	
118	111,92	112,68	5,85 x 5	8	88	
119	112,88	113,64	5,85 x 5	8	89	
120	113,83	114,59	5,85 x 5	8	89	
121	114,79	115,55	5,85 x 5	8	90	
122	115,74	116,50	5,85 x 5	8	91	
123	116,70	117,46	5,85 x 5	8	92	
124	117,65	118,41	5,85 x 5	8	93	

Synchronising pulleys easy drive® for cylindrical bore HTD-profile



- z = Number of teeth
- dk = Outside diameter
- do = Pitch diameter
- ed = easy drive® groove
- dv = Diameter of pre-bore
- dmax = max. bore diameter without feather key groove
- dh = Hub diameter
- wh = Hub width

Min. diameter of the tension rollers without contra-flexure 30 mm, with contra-flexure 60 mm.

Belt width = b (mm)	15	20	25	30	50	75	100	150
Total width = B (mm)	17	22	27	32	52	77	102	152
Total width with hub = BN (mm)	B + 5,5/7,5/9,5 mm							

Other widths and larger sizes are available.

HTD5M

z	dk (mm)	do (mm)	ed (BxH) (mm)	dv (mm)	dmax (mm)	Hub (BxH) (mm)
14	21,14	22,28	5,85 x 4	6	6	13 x 5,5
15	22,73	23,87	5,85 x 4	6	7	16 x 5,5
16	24,32	25,46	5,85 x 4	6	9	16,5 x 5,5
17	25,92	27,05	5,85 x 4	6	10	20 x 5,5
18	27,51	28,65	5,85 x 4	6	12	20 x 5,5
19	29,10	30,24	5,85 x 4	6	13	20 x 5,5
20	30,69	31,83	5,85 x 5	6	10	23 x 5,5
21	32,28	33,42	5,85 x 5	6	12	24 x 5,5
22	33,87	35,01	5,85 x 5	6	13	25,5 x 5,5
23	35,47	36,61	5,85 x 5	6	15	25,5 x 5,5
24	37,06	38,20	5,85 x 5	6	17	27 x 7,5
25	38,65	39,79	5,85 x 5	6	18	27 x 7,5
26	40,24	41,38	5,85 x 5	6	20	30 x 7,5
27	41,83	42,97	5,85 x 5	6	21	30 x 7,5
28	43,42	44,56	5,85 x 5	6	22	30,5 x 7,5

z	dk (mm)	do (mm)	ed (BxH) (mm)	dv (mm)	dmax (mm)	Hub (BxH) (mm)
29	45,01	46,15	5,85 x 5	6	23	30,5 x 7,5
30	46,61	47,75	5,85 x 5	6	24	35 x 7,5
31	48,20	49,34	5,85 x 5	8	25	35 x 7,5
32	49,79	50,93	5,85 x 5	8	26	38 x 7,5
33	51,38	52,52	5,85 x 5	8	27	38 x 7,5
34	52,97	54,11	5,85 x 5	8	28	38 x 7,5
35	54,55	55,70	5,85 x 5	8	31	38 x 7,5
36	56,16	57,30	5,85 x 5	8	33	38 x 7,5
37	57,75	58,89	5,85 x 5	8	34	38 x 7,5
38	59,34	60,48	5,85 x 5	8	36	38 x 7,5
39	60,93	62,07	5,85 x 5	8	36	38 x 7,5
40	62,52	63,66	5,85 x 5	8	38	38 x 7,5
41	64,11	65,25	5,85 x 5	8	40	38 x 7,5
42	65,71	66,85	5,85 x 5	8	41	38 x 7,5
43	67,30	68,44	5,85 x 5	8	43	38 x 7,5

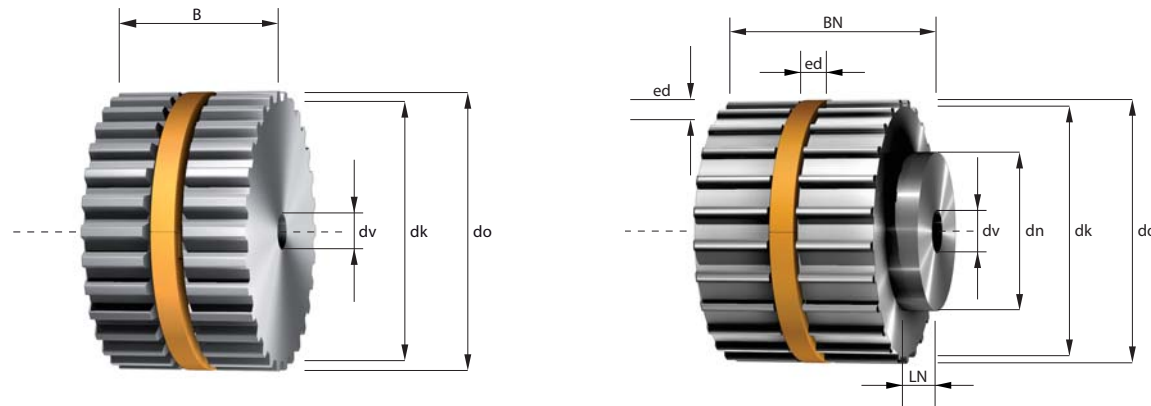
HTD5M

z	dk (mm)	do (mm)	ed (BxH) (mm)	dv (mm)	dmax (mm)	Hub (BxH) (mm)
44	68,89	70,03	5,85 x 5	8	44	38 x 9,5
45	70,48	71,62	5,85 x 5	8	46	38 x 9,5
46	72,07	73,21	5,85 x 5	8	48	38 x 9,5
47	73,66	74,80	5,85 x 5	8	49	38 x 9,5
48	75,25	76,39	5,85 x 5	8	51	45 x 9,5
49	76,85	77,99	5,85 x 5	8	52	45 x 9,5
50	78,44	79,58	5,85 x 5	8	54	45 x 9,5
51	80,03	81,17	5,85 x 5	8	56	45 x 9,5
52	81,62	82,76	5,85 x 5	8	57	45 x 9,5
53	83,21	84,35	5,85 x 5	8	59	45 x 9,5
54	84,80	85,94	5,85 x 5	8	60	45 x 9,5
55	86,40	87,54	5,85 x 5	8	62	45 x 9,5
56	87,99	89,13	5,85 x 5	8	63	45 x 9,5
57	89,58	90,72	5,85 x 5	8	65	45 x 9,5
58	91,17	92,31	5,85 x 5	8	67	45 x 9,5
59	92,76	93,90	5,85 x 5	8	68	45 x 9,5
60	94,35	95,49	5,85 x 5	8	70	45 x 9,5
61	95,94	97,08	5,85 x 5	8	71	45 x 9,5
62	97,54	98,68	5,85 x 5	8	73	45 x 9,5
63	99,13	100,27	5,85 x 5	8	75	45 x 9,5
64	100,72	101,86	5,85 x 5	8	76	45 x 9,5
65	102,31	103,45	5,85 x 5	8	78	45 x 9,5
66	103,90	105,04	5,85 x 5	8	79	45 x 9,5
67	105,49	106,63	5,85 x 5	8	81	45 x 9,5
68	107,05	108,23	5,85 x 5	8	83	45 x 9,5
69	108,68	109,82	5,85 x 5	8	84	45 x 9,5
70	110,27	111,41	5,85 x 5	8	86	45 x 9,5
71	111,86	113,00	5,85 x 5	8	87	45 x 9,5
72	113,45	114,59	5,85 x 5	8	89	45 x 9,5
73	115,04	116,18	5,85 x 5	8	91	
74	116,63	117,77	5,85 x 5	8	92	
75	118,23	119,37	5,85 x 5	8	94	
76	119,82	120,96	5,85 x 5	8	95	
77	121,41	122,55	5,85 x 5	8	97	
78	123,00	124,14	5,85 x 5	8	99	
79	124,59	125,73	5,85 x 5	8	100	
80	126,18	127,32	5,85 x 5	8	102	
81	127,78	128,92	5,85 x 5	8	103	
82	129,37	130,51	5,85 x 5	8	105	
83	130,96	132,10	5,85 x 5	8	106	
84	132,55	133,69	5,85 x 5	8	108	
85	134,14	135,28	5,85 x 5	8	110	
86	135,73	136,87	5,85 x 5	8	111	
87	137,32	138,46	5,85 x 5	8	113	
88	138,92	140,06	5,85 x 5	8	114	

z	dk (mm)	do (mm)	ed (BxH) (mm)	dv (mm)	dmax (mm)	Hub (BxH) (mm)
89	140,51	141,65	5,85 x 5	8	116	
90	142,10	143,24	5,85 x 5	8	118	
91	143,69	144,83	5,85 x 5	8	119	
92	145,28	146,42	5,85 x 5	8	121	
93	146,87	148,01	5,85 x 5	8	122	
94	148,47	149,61	5,85 x 5	8	124	
95	150,06	151,20	5,85 x 5	8	126	
96	151,65	152,79	5,85 x 5	8	127	
97	153,24	154,38	5,85 x 5	8	129	
98	154,83	155,97	5,85 x 5	8	130	
99	156,42	157,56	5,85 x 5	8	132	
100	158,01	159,15	5,85 x 5	8	134	
101	159,61	160,75	5,85 x 5	8	135	
102	161,20	162,34	5,85 x 5	8	137	
103	162,79	163,93	5,85 x 5	8	138	
104	164,30	165,52	5,85 x 5	8	140	
105	165,97	167,11	5,85 x 5	8	141	
106	167,56	168,70	5,85 x 5	8	143	
107	169,15	170,30	5,85 x 5	8	145	
108	170,75	171,89	5,85 x 5	8	146	
109	172,34	173,48	5,85 x 5	8	148	
110	173,93	175,07	5,85 x 5	8	149	
111	175,52	176,66	5,85 x 5	8	151	
112	177,11	178,25	5,85 x 5	8	153	
113	178,71	179,85	5,85 x 5	8	154	
114	180,30	181,44	5,85 x 5	8	156	
115	181,89	183,03	5,85 x 5	8	157	
116	183,48	184,62	5,85 x 5	8	159	
117	185,07	186,21	5,85 x 5	8	161	
118	186,66	187,80	5,85 x 5	8	162	
119	188,25	189,39	5,85 x 5	8	164	
120	189,85	190,99	5,85 x 5	8	165	
121	191,44	192,58	5,85 x 5	8	167	
122	193,03	194,17	5,85 x 5	8	169	
123	194,62	195,76	5,85 x 5	8	170	
124	195,21	197,35	5,85 x 5	8	171	

Standard ring sizes in stock

Synchronising pulleys easy drive® for cylindrical bore HTD-profile



- z = Number of teeth
- dk = Outside diameter
- do = Pitch diameter
- ed = easy drive® groove
- dv = Diameter of pre-bore
- dmax = max. bore diameter without feather key groove
- dh = Hub diameter
- wh = Hub width

Min. diameter of the tension rollers without contra-flexure 60 mm, with contra-flexure 120 mm.

Belt width = b (mm)	20	25	30	50	85	115	150
Total width = B (mm)	22	27	32	52	87	117	152
Total width with hub = BN (mm)	32	37	42	62	97	127	162

Other widths and larger sizes are available.

HTD8M

z	dk (mm)	do (mm)	ed (BxH) (mm)	dv (mm)	dmax (mm)	Hub (BxH) (mm)
20	49,56	50,93	5,85 x 5	12	26	40 x 10
21	52,10	53,48	5,85 x 5	12	29	40 x 10
22	54,65	56,02	5,85 x 5	12	31	43 x 10
23	57,20	58,57	5,85 x 5	12	34	43 x 10
24	59,75	61,12	5,85 x 5	12	36	45 x 10
25	62,29	63,66	5,85 x 5	12	38	45 x 10
26	64,84	66,21	5,85 x 5	12	40	48 x 10
27	67,38	68,75	5,85 x 5	12	43	48 x 10
28	69,93	71,30	5,85 x 5	15	45	50 x 10
29	72,48	73,85	5,85 x 5	15	48	50 x 10
30	75,02	76,39	5,85 x 5	15	51	55 x 10
31	77,57	78,94	5,85 x 5	15	53	55 x 10
32	80,12	81,49	5,85 x 5	15	56	60 x 10
33	82,66	84,03	5,85 x 5	15	58	60 x 10
34	85,21	86,58	5,85 x 5	15	60	70 x 10

z	dk (mm)	do (mm)	ed (BxH) (mm)	dv (mm)	dmax (mm)	Hub (BxH) (mm)
35	87,76	89,13	5,85 x 5	15	63	70 x 10
36	90,30	91,67	5,85 x 5	15	66	75 x 10
37	92,85	94,22	5,85 x 5	15	68	75 x 10
38	95,40	96,77	5,85 x 5	15	71	75 x 10
39	97,94	99,31	5,85 x 5	15	73	75 x 10
40	100,49	101,86	5,85 x 5	15	76	75 x 10
41	103,04	104,41	5,85 x 5	15	79	75 x 10
42	105,58	106,95	5,85 x 5	15	81	75 x 10
43	108,13	109,50	5,85 x 5	15	84	75 x 10
44	110,68	112,05	5,85 x 5	15	86	75 x 10
45	113,22	114,59	5,85 x 5	15	89	75 x 10
46	115,77	117,14	5,85 x 5	15	91	75 x 10
47	118,31	119,68	5,85 x 5	15	94	75 x 10
48	120,86	122,23	5,85 x 5	15	96	75 x 10
49	123,41	124,78	5,85 x 5	15	99	75 x 10

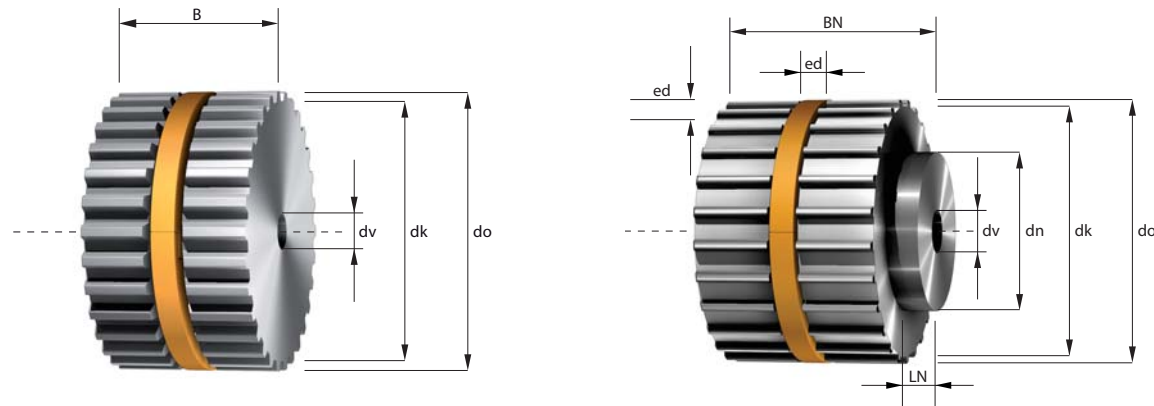
Standard ring sizes in stock

HTD8M

z	dk (mm)	do (mm)	ed (BxH) (mm)	dv (mm)	dmax (mm)	Hub (BxH) (mm)
50	125,95	127,32	5,85 x 5	15	101	75 x 10
51	128,50	129,87	5,85 x 5	15	104	75 x 10
52	131,05	132,42	5,85 x 5	15	107	75 x 10
53	133,59	134,96	5,85 x 5	15	109	75 x 10
54	136,14	137,51	5,85 x 5	15	112	75 x 10
55	138,69	140,06	5,85 x 5	15	114	75 x 10
56	141,23	142,60	5,85 x 5	15	117	80 x 10
57	143,78	145,15	5,85 x 5	15	119	80 x 10
58	146,33	147,70	5,85 x 5	15	122	80 x 10
59	148,87	150,24	5,85 x 5	15	124	80 x 10
60	151,42	152,79	5,85 x 5	15	127	80 x 10
61	153,97	155,34	5,85 x 5	15	129	80 x 10
62	156,51	157,88	5,85 x 5	15	132	80 x 10
63	159,06	160,43	5,85 x 5	15	135	80 x 10
64	161,60	162,97	5,85 x 5	15	137	80 x 10
65	164,15	165,52	5,85 x 5	15	140	80 x 10
66	166,70	168,07	5,85 x 5	15	142	80 x 10
67	169,24	170,61	5,85 x 5	15	145	80 x 10
68	171,79	173,16	5,85 x 5	15	147	80 x 10
69	174,34	175,71	5,85 x 5	15	150	80 x 10
70	176,88	178,25	5,85 x 5	15	152	80 x 10
71	179,43	180,80	5,85 x 5	15	155	80 x 10
72	181,98	183,35	5,85 x 5	15	157	80 x 10
73	184,52	185,89	5,85 x 5	15	160	80 x 10
74	187,07	188,44	5,85 x 5	15	163	80 x 10
75	189,62	190,99	5,85 x 5	15	165	80 x 10
76	192,16	193,53	5,85 x 5	15	168	80 x 10
77	194,71	196,08	5,85 x 5	15	170	80 x 10
78	197,26	198,63	5,85 x 5	15	173	80 x 10
79	199,80	201,17	5,85 x 5	15	175	80 x 10
80	202,35	203,72	5,85 x 5	15	178	90 x 10
81	204,89	206,26	5,85 x 5	15	180	90 x 10
82	207,44	208,81	5,85 x 5	15	183	90 x 10
83	209,99	211,36	5,85 x 5	15	185	90 x 10
84	212,53	213,90	5,85 x 5	15	188	90 x 10
85	215,08	216,45	5,85 x 5	15	191	90 x 10
86	217,63	219,00	5,85 x 5	15	193	90 x 10
87	220,17	221,54	5,85 x 5	15	196	90 x 10
88	222,72	224,09	5,85 x 5	15	198	90 x 10
89	225,27	226,64	5,85 x 5	15	201	90 x 10
90	227,81	229,18	5,85 x 5	18	203	90 x 10
91	230,36	231,73	5,85 x 5	18	206	90 x 10
92	232,91	234,28	5,85 x 5	18	208	90 x 10
93	235,45	236,82	5,85 x 5	18	211	90 x 10
94	238,00	239,37	5,85 x 5	18	214	90 x 10

z	dk (mm)	do (mm)	ed (BxH) (mm)	dv (mm)	dmax (mm)	Hub (BxH) (mm)
95	240,88	241,92	5,85 x 5	18	216	90 x 10
96	243,09	244,46	5,85 x 5	18	219	90 x 10
97	245,64	247,01	5,85 x 5	18	221	90 x 10
98	248,18	249,55	5,85 x 5	18	224	90 x 10
99	250,73	252,10	5,85 x 5	18	226	90 x 10
100	253,28	254,65	5,85 x 5	18	229	90 x 10
101	255,82	257,19	5,85 x 5	18	231	90 x 10
102	258,37	259,74	5,85 x 5	18	234	90 x 10
103	260,92	262,29	5,85 x 5	18	236	90 x 10
104	263,46	264,83	5,85 x 5	18	239	90 x 10
105	266,01	267,38	5,85 x 5	18	242	90 x 10
106	268,56	269,93	5,85 x 5	18	244	90 x 10
107	271,10	272,47	5,85 x 5	18	247	90 x 10
108	273,65	275,02	5,85 x 5	18	249	90 x 10
109	276,20	277,57	5,85 x 5	18	252	90 x 10
110	278,74	280,11	5,85 x 5	18	254	90 x 10
111	281,29	282,66	5,85 x 5	18	257	90 x 10
112	283,84	285,21	5,85 x 5	20	259	90 x 10
113	286,38	287,75	5,85 x 5	20	262	90 x 10
114	288,93	290,30	5,85 x 5	20	264	90 x 10
115	291,47	292,84	5,85 x 5	20	267	90 x 10
116	294,02	295,39	5,85 x 5	20	270	90 x 10
117	296,57	297,94	5,85 x 5	20	272	90 x 10
118	299,11	300,48	5,85 x 5	20	275	90 x 10
119	301,66	303,03	5,85 x 5	20	277	90 x 10
120	304,21	305,58	5,85 x 5	20	280	90 x 10
121	306,75	308,12	5,85 x 5	20	282	90 x 10
122	309,30	310,67	5,85 x 5	20	285	90 x 10
123	311,85	313,22	5,85 x 5	20	287	90 x 10
124	314,39	315,76	5,85 x 5	20	290	90 x 10
125	316,94	318,31	5,85 x 5	20	292	90 x 10
126	319,49	320,86	5,85 x 5	20	295	90 x 10
127	322,03	323,40	5,85 x 5	20	298	90 x 10
128	324,58	325,95	5,85 x 5	20	300	90 x 10
129	327,13	328,50	5,85 x 5	20	303	90 x 10

Synchronising pulleys easy drive® for cylindrical bore HTD-profile



- z = Number of teeth
- dk = Outside diameter
- do = Pitch diameter
- ed = easy drive® groove
- dv = Diameter of pre-bore
- dmax = max. bore diameter without feather key groove
- dh = Hub diameter
- wh = Hub width

Min. diameter of the tension rollers without contra-flexure 180 mm, with contra-flexure 200 mm.

Belt width = b (mm)	40	55	85	115	170
Total width = B (mm)	42	57	87	117	172
Total width with hub = BN (mm)	57	72	102	132	187

Other widths and larger sizes are available.

HTD14M

z	dk (mm)	do (mm)	ed (BxH) (mm)	dv (mm)	dmax (mm)	Hub (BxH) (mm)
28	122,12	124,78	*	24	82	100 x 15
29	126,57	129,23	*	24	87	100 x 15
30	130,98	133,69	*	24	91	100 x 15
31	135,46	138,15	*	24	95	100 x 15
32	139,88	142,60	*	24	100	100 x 15
33	144,35	147,06	*	24	104	100 x 15
34	148,79	151,51	*	24	109	100 x 15
35	153,24	155,98	*	24	113	100 x 15
36	157,68	160,43	*	24	118	100 x 15
37	162,13	164,88	*	24	122	100 x 15
38	166,59	169,34	*	24	127	120 x 15
39	171,00	173,80	*	24	131	120 x 15
40	175,49	178,25	*	24	135	120 x 15
41	179,92	182,71	*	24	140	120 x 15
42	184,37	187,17	*	24	144	120 x 15

z	dk (mm)	do (mm)	ed (BxH) (mm)	dv (mm)	dmax (mm)	Hub (BxH) (mm)
43	188,83	191,62	*	24	149	120 x 15
44	193,28	196,08	*	24	153	120 x 15
45	197,74	200,53	*	24	158	120 x 15
46	202,30	204,99	*	24	162	120 x 15
47	206,65	209,45	*	24	167	120 x 15
48	211,11	213,90	*	24	171	135 x 15
49	215,57	218,36	*	24	176	135 x 15
50	220,02	222,82	*	24	180	135 x 15
51	224,48	227,27	*	24	184	135 x 15
52	228,94	231,73	*	24	189	135 x 15
53	233,39	236,19	*	24	193	135 x 15
54	237,85	240,64	*	24	198	135 x 15
55	242,30	245,10	*	24	202	135 x 15
56	246,76	249,55	*	28	207	135 x 15
57	251,22	254,01	*	28	211	135 x 15

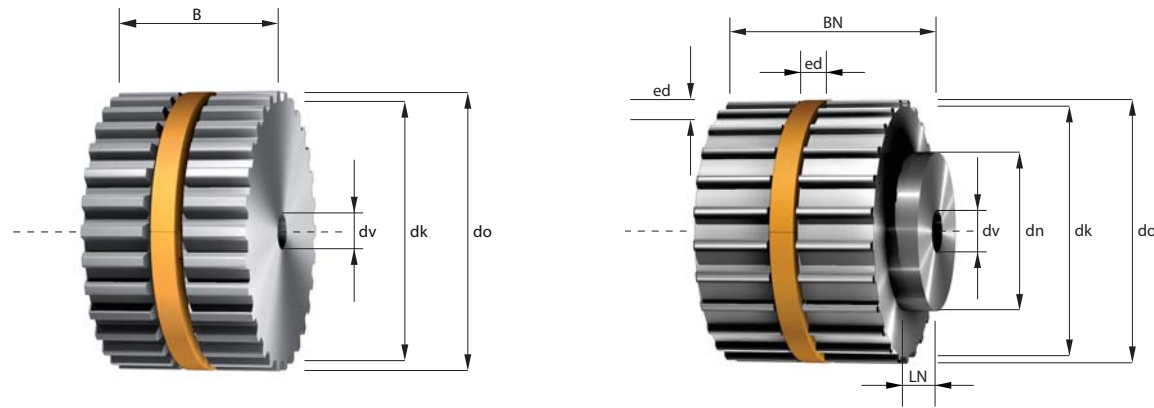
HTD14M

z	dk (mm)	do (mm)	ed (BxH) (mm)	dv (mm)	dmax (mm)	Hub (BxH) (mm)
58	255,67	258,47	*	28	216	135 x 15
59	260,13	262,92	*	28	220	135 x 15
60	264,59	267,38	*	28	225	135 x 15
61	269,04	271,84	*	28	229	135 x 15
62	273,50	276,29	*	28	234	135 x 15
63	277,95	280,75	*	28	238	135 x 15
64	282,41	285,21	*	28	242	135 x 15
65	286,87	289,68	*	28	247	135 x 15
66	291,32	294,12	*	28	251	135 x 15
67	295,78	298,57	*	28	256	135 x 15
68	300,24	303,03	*	28	260	135 x 15
69	304,69	307,49	*	28	265	135 x 15
70	309,15	311,94	*	28	269	135 x 15
71	313,61	316,40	*	28	274	135 x 15
72	318,06	320,86	*	28	278	135 x 15
73	322,52	325,31	*	28	283	135 x 15
74	326,97	329,77	*	28	287	135 x 15
75	331,42	334,22	*	28	291	135 x 15
76	335,89	338,68	*	28	296	135 x 15
77	340,34	343,15	*	28	300	135 x 15
78	344,80	347,59	*	28	305	135 x 15
79	349,26	352,05	*	28	309	135 x 15
80	353,71	356,51	*	28	314	135 x 15
81	358,17	360,96	*	28	318	135 x 15
82	362,63	365,42	*	28	323	135 x 15
83	367,08	369,88	*	28	327	135 x 15
84	371,54	374,33	*	28	332	135 x 15
85	375,99	378,79	*	28	336	135 x 15
86	380,45	383,24	*	28	340	135 x 15
87	384,91	387,70	*	28	345	135 x 15
88	389,39	392,16	*	28	349	135 x 15
89	393,82	396,61	*	28	354	135 x 15
90	398,28	401,07	*	28	358	135 x 15
91	402,73	405,53	*	28	363	135 x 15
92	407,19	409,98	*	28	367	135 x 15
93	411,64	414,44	*	28	372	135 x 15
94	416,10	418,90	*	28	376	135 x 15
95	420,56	423,35	*	28	381	135 x 15
96	425,01	427,81	*	28	385	135 x 15
97	429,47	432,26	*	28	389	135 x 15
98	433,93	436,72	*	28	394	135 x 15
99	438,38	441,18	*	28	398	135 x 15
100	442,84	445,63	*	28	403	135 x 15
101	447,30	450,09	*	28	407	135 x 15
102	451,75	454,55	*	28	412	135 x 15

z	dk (mm)	do (mm)	ed (BxH) (mm)	dv (mm)	dmax (mm)	Hub (BxH) (mm)
103	456,21	459,00	*	28	416	135 x 15
104	460,66	463,46	*	28	421	135 x 15
105	465,12	467,92	*	28	425	135 x 15
106	469,58	472,37	*	28	430	135 x 15
107	474,03	476,83	*	28	434	135 x 15
108	478,49	481,28	*	28	438	135 x 15
109	482,95	485,74	*	28	443	135 x 15
110	487,40	490,20	*	28	447	135 x 15
111	491,86	494,65	*	28	452	135 x 15
112	496,32	499,11	*	28	456	135 x 15
113	500,77	503,57	*	28	461	135 x 15
114	505,23	508,02	*	28	465	135 x 15

* On request

Synchronising pulleys easy drive® for cylindrical bore Imperial-profile



- z = Number of teeth
- dk = Outside diameter
- do = Pitch diameter
- ed = easy drive® groove
- dv = Diameter of pre-bore
- dmax = max. bore diameter without feather key groove
- dh = Hub diameter
- wh = Hub width

Min. diameter of the tension rollers without contra-flexure 15 mm, with contra-flexure 18 mm.

Imperial code	075	100	150	200
Belt width = b (mm)	19,1	25,4	38,1	50,8
Total width = B (mm)	21,1	27,4	40,1	52,8
Total width with hub = BN (mm)	27,1	33,4	46,1	58,8

Other widths and larger sizes are available.

MXL (T1/8")

z	dk (mm)	do (mm)	ed (BxH) (mm)	dv (mm)	dmax (mm)	Hub (BxH) (mm)
34	21,48	21,99	5,85 x 4	3H7	6	14 x 6
35	22,13	22,64	5,85 x 4	3H7	7	14 x 6
36	22,78	23,29	5,85 x 4	3H7	8	14 x 6
37	23,42	23,93	5,85 x 4	3H7	8	14 x 6
38	24,07	24,58	5,85 x 4	3H7	9	14 x 6
39	24,72	25,23	5,85 x 4	3H7	9	14 x 6
40	25,36	25,87	5,85 x 4	3H7	10	14 x 6
41	26,01	26,52	5,85 x 4	3H7	10	14 x 6
42	26,66	27,17	5,85 x 4	3H7	10	14 x 6
43	27,30	27,81	5,85 x 4	3H7	11	14 x 6
44	27,95	28,46	5,85 x 4	3H7	12	14 x 6
45	28,60	29,11	5,85 x 4	3H7	12	14 x 6
46	29,24	29,75	5,85 x 4	3H7	13	14 x 6
47	29,89	30,40	5,85 x 4	3H7	14	14 x 6
48	30,54	31,05	5,85 x 5	4H7	10	20 x 6

z	dk (mm)	do (mm)	ed (BxH) (mm)	dv (mm)	dmax (mm)	Hub (BxH) (mm)
49	31,18	31,69	5,85 x 5	4H7	11	20 x 6
50	31,83	32,34	5,85 x 5	4H7	12	20 x 6
51	32,48	32,99	5,85 x 5	4H7	12	20 x 6
52	33,13	33,63	5,85 x 5	4H7	13	20 x 6
53	33,77	34,28	5,85 x 5	4H7	14	20 x 6
54	34,42	34,93	5,85 x 5	4H7	14	22 x 6
55	35,06	35,57	5,85 x 5	4H7	15	22 x 6
56	35,71	36,22	5,85 x 5	4H7	15	22 x 6
57	36,36	36,87	5,85 x 5	4H7	16	22 x 6
58	37,00	37,51	5,85 x 5	4H7	17	22 x 6
59	37,65	38,16	5,85 x 5	4H7	17	22 x 6
60	38,30	38,81	5,85 x 5	6H7	18	22 x 6
61	38,95	39,46	5,85 x 5	6H7	19	26 x 6
62	39,59	40,10	5,85 x 5	6H7	19	26 x 6
63	40,24	40,75	5,85 x 5	6H7	20	26 x 6

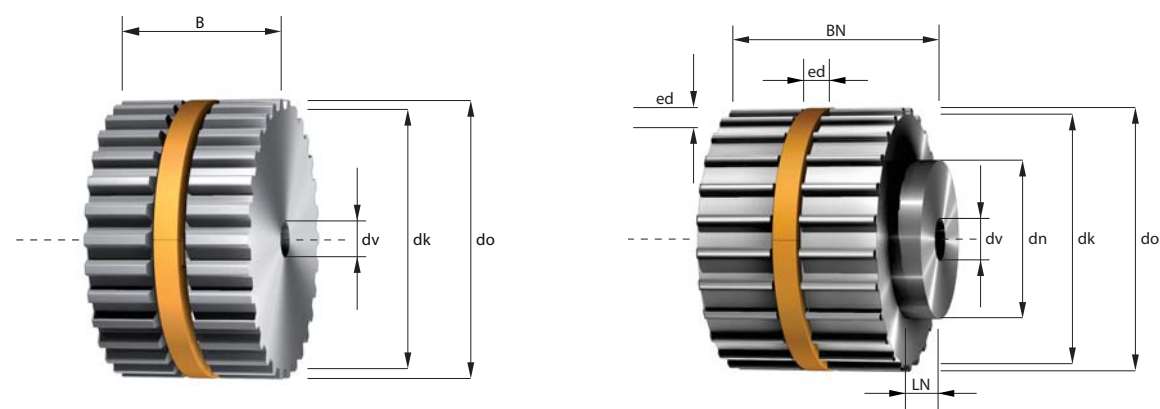
 = Standard ring sizes in stock

MXL (T1/8")

z	dk (mm)	do (mm)	ed (BxH) (mm)	dv (mm)	dmax (mm)	Hub (BxH) (mm)
64	40,89	41,40	5,85 x 5	6H7	20	26 x 6
65	41,53	42,04	5,85 x 5	6H7	21	26 x 6
66	42,18	42,69	5,85 x 5	6H7	22	26 x 6
67	42,83	43,34	5,85 x 5	6H7	22	26 x 6
68	43,47	43,98	5,85 x 5	6H7	23	26 x 6
69	44,12	44,63	5,85 x 5	6H7	24	26 x 6
70	44,77	45,28	5,85 x 5	6H7	24	26 x 6
71	45,41	45,92	5,85 x 5	6H7	25	26 x 6
72	46,06	46,57	5,85 x 5	6H7	26	26 x 6
73	46,71	47,22	5,85 x 5	6H7	26	34 x 6
74	47,35	47,86	5,85 x 5	6H7	27	34 x 6
75	48,00	48,51	5,85 x 5	6H7	28	34 x 6
76	48,65	49,16	5,85 x 5	6H7	28	34 x 6
77	49,29	49,80	5,85 x 5	6H7	29	34 x 6
78	49,94	50,45	5,85 x 5	6H7	30	34 x 6
79	50,29	51,10	5,85 x 5	6H7	30	34 x 6
80	51,23	51,74	5,85 x 5	6H7	31	34 x 6
81	51,88	52,39	5,85 x 5	6H7	31	34 x 6
82	52,53	53,04	5,85 x 5	6H7	32	34 x 6
83	53,17	53,68	5,85 x 5	6H7	33	34 x 6
84	53,82	54,33	5,85 x 5	6H7	33	34 x 6
85	54,47	54,98	5,85 x 5	6H7	34	34 x 6
86	55,12	55,63	5,85 x 5	6H7	35	34 x 6
87	55,76	56,27	5,85 x 5	8H7	35	34 x 6
88	56,41	56,92	5,85 x 5	8H7	36	34 x 6
89	57,06	57,57	5,85 x 5	8H7	37	34 x 6
90	57,70	58,21	5,85 x 5	8H7	37	34 x 6
91	58,35	58,86	5,85 x 5	8H7	38	38 x 6
92	59,00	59,51	5,85 x 5	8H7	39	38 x 6
93	59,64	60,15	5,85 x 5	8H7	39	38 x 6
94	60,29	60,80	5,85 x 5	8H7	40	38 x 6
95	60,94	61,45	5,85 x 5	8H7	41	38 x 6
96	61,58	62,09	5,85 x 5	8H7	41	38 x 6
97	62,23	62,74	5,85 x 5	8H7	42	38 x 6
98	62,88	63,39	5,85 x 5	8H7	42	38 x 6
99	63,52	64,03	5,85 x 5	8H7	43	38 x 6
100	64,17	64,68	5,85 x 5	8H7	44	38 x 6
101	64,82	65,33	5,85 x 5	8H7	44	38 x 6
102	65,46	65,97	5,85 x 5	8H7	45	38 x 6
103	66,11	66,62	5,85 x 5	8H7	46	38 x 6
104	66,76	67,27	5,85 x 5	8H7	46	38 x 6
105	67,40	67,91	5,85 x 5	8H7	47	38 x 6
106	68,05	68,56	5,85 x 5	8H7	48	38 x 6
107	68,70	69,21	5,85 x 5	8H7	48	38 x 6
108	69,35	69,86	5,85 x 5	8H7	49	38 x 6

z	dk (mm)	do (mm)	ed (BxH) (mm)	dv (mm)	dmax (mm)	Hub (BxH) (mm)
109	69,99	70,50	5,85 x 5	8H7	50	38 x 6
110	70,64	71,15	5,85 x 5	8H7	50	38 x 6
111	71,29	71,80	5,85 x 5	8H7	51	38 x 6
112	71,93	72,44	5,85 x 5	8H7	52	38 x 6
113	72,58	73,09	5,85 x 5	10H7	52	40 x 6
114	73,23	73,74	5,85 x 5	10H7	53	40 x 6

Synchronising pulleys easy drive® for cylindrical bore Imperial-profile



- z = Number of teeth
- dk = Outside diameter
- do = Pitch diameter
- ed = easy drive® groove
- dv = Diameter of pre-bore
- dmax = max. bore diameter without feather key groove
- dh = Hub diameter
- wh = Hub width

Min. diameter of the tension rollers without contra-flexure 30 mm, with contra-flexure 30 mm.

Imperial code	075	100	150	200	300	400
Belt width = b (mm)	19,1	25,4	38,1	50,8	76,2	101,6
Total width = B (mm)	21,1	27,4	40,1	52,8	78,2	103,6
Total width with hub = BN (mm)	B + 5,3/8,1/12,1 mm					

Other widths and larger sizes are available.

XL (T1/5")

z	dk (mm)	do (mm)	ed (BxH) (mm)	dv (mm)	dmax (mm)	Hub (BxH) (mm)
14	22,13	22,64	5,85 x 4	6H7	7	14,3 x 5,3
15	23,75	24,26	5,85 x 4	6H7	8	15,9 x 5,3
16	25,36	25,87	5,85 x 4	6H7	10	17,5 x 5,3
17	26,98	27,49	5,85 x 4	6H7	12	20,6 x 5,3
18	28,60	29,11	5,85 x 4	6H7	12	20,6 x 5,3
19	30,21	30,72	5,85 x 5	6H7	10	23,8 x 8,1
20	31,83	32,34	5,85 x 5	6H7	12	23,8 x 8,1
21	33,45	33,96	5,85 x 5	6H7	13	23,8 x 8,1
22	35,07	35,57	5,85 x 5	6H7	15	25,4 x 8,1
23	36,86	37,19	5,85 x 5	6H7	17	27 x 8,1
24	38,30	38,81	5,85 x 5	6H7	18	27 x 8,1
25	39,92	40,43	5,85 x 5	6H7	20	30 x 8,1
26	41,53	42,04	5,85 x 5	6H7	22	30 x 8,1
27	43,15	43,66	5,85 x 5	6H7	23	30 x 8,1
28	44,77	45,28	5,85 x 5	6H7	25	30 x 8,1

z	dk (mm)	do (mm)	ed (BxH) (mm)	dv (mm)	dmax (mm)	Hub (BxH) (mm)
29	46,38	46,89	5,85 x 5	6H7	26	34 x 8,1
30	48,00	48,51	5,85 x 5	6H7	28	34 x 8,1
31	49,62	50,13	5,85 x 5	8H7	30	38 x 12,1
32	51,24	51,74	5,85 x 5	8H7	31	38 x 12,1
33	52,85	53,36	5,85 x 5	8H7	33	38 x 12,1
34	54,47	54,98	5,85 x 5	8H7	34	38 x 12,1
35	56,09	56,60	5,85 x 5	8H7	36	38 x 12,1
36	57,70	58,21	5,85 x 5	8H7	38	38 x 12,1
37	59,32	59,83	5,85 x 5	8H7	39	38 x 12,1
38	60,94	61,45	5,85 x 5	8H7	41	38 x 12,1
39	62,55	63,06	5,85 x 5	8H7	43	38 x 12,1
40	64,17	64,68	5,85 x 5	8H7	44	38 x 12,1
41	65,79	66,30	5,85 x 5	8H7	46	38 x 12,1
42	67,40	67,91	5,85 x 5	8H7	47	38 x 12,1
43	69,02	69,53	5,85 x 5	8H7	49	38 x 12,1

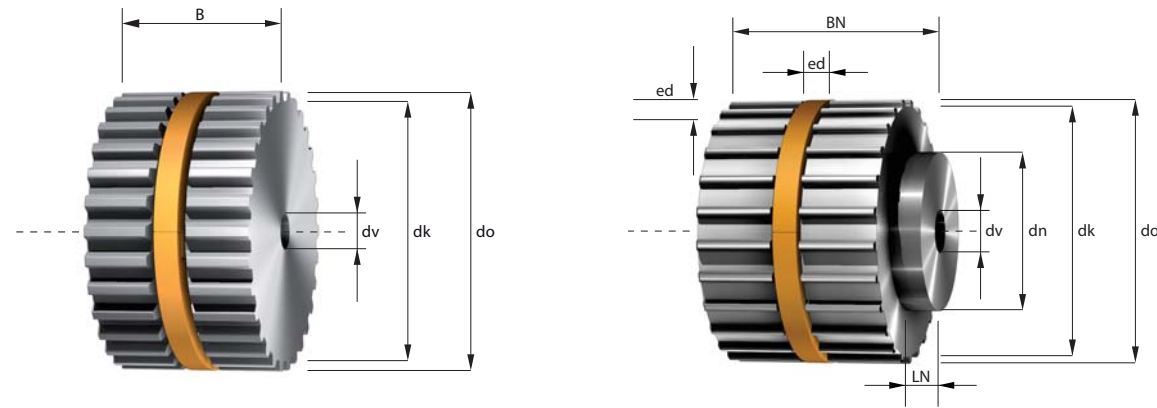
 = Standard ring sizes in stock

XL (T1/5")

z	dk (mm)	do (mm)	ed (BxH) (mm)	dv (mm)	dmax (mm)	Hub (BxH) (mm)
44	70,64	71,15	5,85 x 5	8H7	51	38 x 12,1
45	72,26	72,77	5,85 x 5	8H7	52	38 x 12,1
46	73,87	74,38	5,85 x 5	8H7	54	38 x 12,1
47	75,49	76,00	5,85 x 5	8H7	55	38 x 12,1
48	77,11	77,62	5,85 x 5	8H7	57	38 x 12,1
49	78,72	79,23	5,85 x 5	8H7	59	38 x 12,1
50	80,34	80,85	5,85 x 5	8H7	60	38 x 12,1
51	81,96	82,47	5,85 x 5	8H7	62	38 x 12,1
52	83,57	84,08	5,85 x 5	8H7	64	38 x 12,1
53	85,19	85,70	5,85 x 5	8H7	65	38 x 12,1
54	86,81	87,32	5,85 x 5	8H7	67	38 x 12,1
55	88,43	88,94	5,85 x 5	8H7	68	38 x 12,1
56	90,04	90,55	5,85 x 5	8H7	70	38 x 12,1
57	91,66	92,17	5,85 x 5	8H7	72	38 x 12,1
58	93,28	93,79	5,85 x 5	8H7	72	38 x 12,1
59	94,89	95,40	5,85 x 5	8H7	72	38 x 12,1
60	96,51	97,02	5,85 x 5	8H7	72	38 x 12,1
61	98,13	98,64	5,85 x 5	8H7	73	38 x 12,1
62	99,74	100,25	5,85 x 5	8H7	75	38 x 12,1
63	101,36	101,87	5,85 x 5	8H7	76	38 x 12,1
64	102,98	103,49	5,85 x 5	8H7	78	38 x 12,1
65	104,60	105,11	5,85 x 5	8H7	80	38 x 12,1
66	106,21	106,72	5,85 x 5	8H7	81	38 x 12,1
67	107,83	108,34	5,85 x 5	8H7	83	38 x 12,1
68	109,45	109,96	5,85 x 5	8H7	84	38 x 12,1
69	111,06	111,57	5,85 x 5	8H7	86	38 x 12,1
70	112,68	113,19	5,85 x 5	8H7	88	38 x 12,1
71	114,30	114,81	5,85 x 5	8H7	89	38 x 12,1
72	115,92	116,43	5,85 x 5	8H7	91	38 x 12,1
73	117,53	118,04	5,85 x 5	10H7	93	45 x 12,1
74	119,15	119,66	5,85 x 5	10H7	94	45 x 12,1
75	120,77	121,28	5,85 x 5	10H7	96	45 x 12,1
76	122,38	122,89	5,85 x 5	10H7	97	45 x 12,1
77	124,00	124,51	5,85 x 5	10H7	99	45 x 12,1
78	125,62	126,13	5,85 x 5	10H7	101	45 x 12,1
79	127,23	127,74	5,85 x 5	10H7	102	45 x 12,1
80	128,85	129,36	5,85 x 5	10H7	104	45 x 12,1
81	130,47	130,98	5,85 x 5	10H7	105	45 x 12,1
82	132,08	132,60	5,85 x 5	10H7	107	45 x 12,1
83	133,70	134,21	5,85 x 5	10H7	109	45 x 12,1
84	135,32	135,83	5,85 x 5	10H7	110	45 x 12,1
85	136,94	137,45	5,85 x 5	10H7	112	45 x 12,1
86	138,55	139,06	5,85 x 5	10H7	114	45 x 12,1
87	140,17	140,68	5,85 x 5	10H7	115	45 x 12,1
88	141,79	142,30	5,85 x 5	10H7	117	45 x 12,1

z	dk (mm)	do (mm)	ed (BxH) (mm)	dv (mm)	dmax (mm)	Hub (BxH) (mm)
89	143,40	143,91	5,85 x 5	10H7	118	45 x 12,1
90	145,02	145,53	5,85 x 5	10H7	120	45 x 12,1
91	146,64	147,15	5,85 x 5	10H7	122	45 x 12,1
92	148,25	148,77	5,85 x 5	10H7	123	45 x 12,1
93	149,87	150,38	5,85 x 5	10H7	125	45 x 12,1
94	151,49	152,00	5,85 x 5	10H7	126	45 x 12,1
95	153,11	153,62	5,85 x 5	12H7	128	55 x 12,1
96	154,72	155,23	5,85 x 5	12H7	130	55 x 12,1
97	156,34	156,85	5,85 x 5	12H7	131	55 x 12,1
98	157,96	158,47	5,85 x 5	12H7	133	55 x 12,1
99	159,57	160,08	5,85 x 5	12H7	135	55 x 12,1
100	161,19	161,70	5,85 x 5	12H7	136	55 x 12,1
101	162,81	163,32	5,85 x 5	12H7	138	55 x 12,1
102	164,43	164,94	5,85 x 5	12H7	139	55 x 12,1
103	166,04	166,55	5,85 x 5	12H7	141	55 x 12,1
104	167,66	168,17	5,85 x 5	12H7	143	55 x 12,1
105	169,28	169,79	5,85 x 5	12H7	144	55 x 12,1
106	170,89	171,40	5,85 x 5	12H7	146	55 x 12,1
107	172,51	173,02	5,85 x 5	12H7	148	55 x 12,1
108	174,13	174,64	5,85 x 5	12H7	149	55 x 12,1
109	175,74	176,25	5,85 x 5	12H7	151	55 x 12,1
110	177,36	177,87	5,85 x 5	12H7	152	55 x 12,1
111	178,98	179,49	5,85 x 5	12H7	154	55 x 12,1
112	180,60	181,11	5,85 x 5	12H7	156	55 x 12,1
113	182,21	182,72	5,85 x 5	12H7	157	55 x 12,1
114	183,83	184,34	5,85 x 5	12H7	159	55 x 12,1

Synchronising pulleys easy drive® for cylindrical bore Imperial-profile



- z = Number of teeth
- dk = Outside diameter
- do = Pitch diameter
- ed = easy drive® groove
- dv = Diameter of pre-bore
- dmax = max. bore diameter without feather key groove
- dh = Hub diameter
- wh = Hub width

Min. diameter of the tension rollers without contra-flexure 60 mm, with contra-flexure 60 mm.

Imperial code	075	100	150	200	300	400	600
Belt width = b (mm)	19,1	25,4	38,1	50,8	76,2	101,6	152,4
Total width = B (mm)	21,1	27,4	40,1	52,8	78,2	103,6	154,4
Total width with hub = BN (mm)	B + 7 / 9 mm						

Other widths and larger sizes are available.

L (T3/8“)

z	dk (mm)	do (mm)	ed (BxH) (mm)	dv (mm)	dmax (mm)	Hub (BxH) (mm)
10	29,56	30,32	5,85 x 4	6/8H7	12	22 x 7
11	32,59	33,35	5,85 x 5	6/8H7	12	26 x 7
12	35,62	36,45	5,85 x 5	6/8H7	15	28 x 7
13	38,65	39,41	5,85 x 5	6/8H7	18	30 x 7
14	41,68	42,45	5,85 x 5	8H7	20	33 x 7
15	44,72	45,48	5,85 x 5	8H7	20	36 x 7
16	47,75	48,51	5,85 x 5	8H7	23	38 x 7
17	50,78	51,54	5,85 x 5	10H7	26	40 x 7
18	53,81	54,57	5,85 x 5	10H7	29	40 x 7
19	56,84	57,61	5,85 x 5	10H7	32	40 x 7
20	59,88	60,64	5,85 x 5	10H7	35	46 x 7
21	62,91	63,67	5,85 x 5	10H7	38	46 x 7
22	65,94	66,70	5,85 x 5	10H7	39	50 x 7
23	68,97	69,73	5,85 x 5	12H7	42	50 x 7
24	72,00	72,77	5,85 x 5	12H7	47	50 x 7

z	dk (mm)	do (mm)	ed (BxH) (mm)	dv (mm)	dmax (mm)	Hub (BxH) (mm)
25	75,04	75,80	5,85 x 5	12H7	50	50 x 7
26	78,07	78,83	5,85 x 5	12H7	53	50 x 7
27	81,10	81,86	5,85 x 5	12H7	56	50 x 7
28	84,13	84,89	5,85 x 5	12H7	58	50 x 7
29	87,16	87,93	5,85 x 5	12H7	61	50 x 7
30	90,20	90,96	5,85 x 5	12H7	64	50 x 7
31	93,23	93,99	5,85 x 5	12H7	68	50 x 7
32	96,26	97,02	5,85 x 5	12H7	71	50 x 7
33	99,29	100,05	5,85 x 5	12H7	74	50 x 7
34	102,32	103,08	5,85 x 5	12H7	77	50 x 7
35	105,36	106,12	5,85 x 5	12H7	80	50 x 7
36	108,39	109,15	5,85 x 5	12H7	83	50 x 7
37	111,42	112,18	5,85 x 5	12H7	86	50 x 7
38	114,45	115,21	5,85 x 5	12H7	89	50 x 7
39	117,48	118,24	5,85 x 5	12H7	92	50 x 7

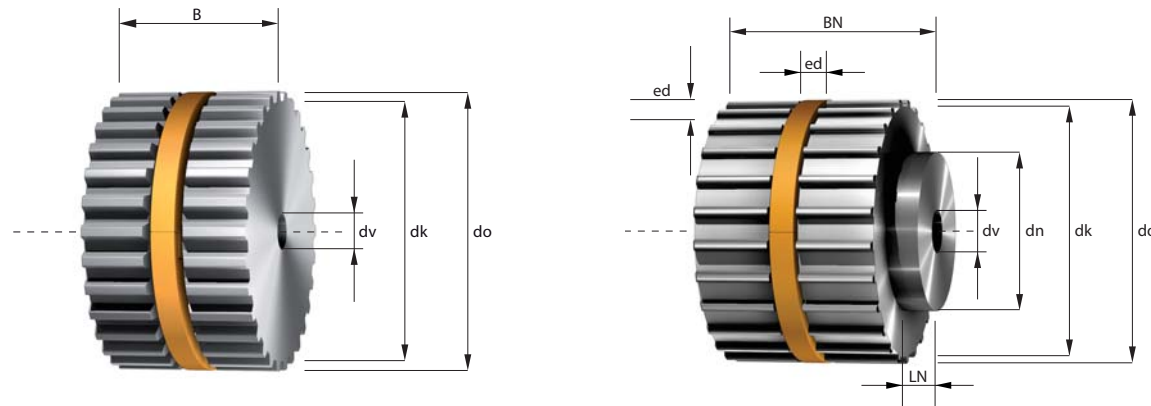
L (T3/8“)

z	dk (mm)	do (mm)	ed (BxH) (mm)	dv (mm)	dmax (mm)	Hub (BxH) (mm)
40	120,51	121,28	5,85 x 5	12H7	96	50 x 7
41	123,55	124,31	5,85 x 5	12H7	99	50 x 7
42	126,58	127,34	5,85 x 5	12H7	99	50 x 7
43	129,61	130,37	5,85 x 5	12H7	102	50 x 7
44	132,64	133,40	5,85 x 5	12H7	105	50 x 7
45	135,68	136,44	5,85 x 5	12H7	105	50 x 7
46	138,71	139,47	5,85 x 5	12H7	108	50 x 7
47	141,74	142,50	5,85 x 5	12H7	111	50 x 7
48	144,77	145,53	5,85 x 5	12H7	115	50 x 7
49	147,80	148,56	5,85 x 5	15H7	118	50 x 9
50	150,83	151,60	5,85 x 5	15H7	121	50 x 9
51	153,87	154,63	5,85 x 5	15H7	124	50 x 9
52	156,90	157,66	5,85 x 5	15H7	127	50 x 9
53	159,93	160,69	5,85 x 5	15H7	131	50 x 9
54	162,96	163,82	5,85 x 5	15H7	134	50 x 9
55	165,99	166,75	5,85 x 5	15H7	137	50 x 9
56	169,03	169,79	5,85 x 5	15H7	140	50 x 9
57	172,06	172,82	5,85 x 5	15H7	143	50 x 9
58	175,09	175,85	5,85 x 5	15H7	145	50 x 9
59	178,12	178,88	5,85 x 5	15H7	146	50 x 9
60	181,15	181,91	5,85 x 5	15H7	152	50 x 9
61	184,19	184,95	5,85 x 5	15H7	155	50 x 9
62	187,22	187,98	5,85 x 5	15H7	157	50 x 9
63	190,25	191,01	5,85 x 5	15H7	160	50 x 9
64	193,28	194,04	5,85 x 5	15H7	163	50 x 9
65	196,31	197,07	5,85 x 5	15H7	166	50 x 9
66	199,35	200,11	5,85 x 5	15H7	170	50 x 9
67	202,38	203,14	5,85 x 5	15H7	172	50 x 9
68	205,41	206,17	5,85 x 5	15H7	175	50 x 9
69	208,44	209,20	5,85 x 5	15H7	178	50 x 9
70	211,47	212,23	5,85 x 5	15H7	181	50 x 9
71	214,50	215,27	5,85 x 5	15H7	184	50 x 9
72	217,53	218,30	5,85 x 5	15H7	187	50 x 9
73	220,57	221,33	5,85 x 5	15H7	190	50 x 9
74	223,60	224,36	5,85 x 5	15H7	193	50 x 9
75	226,63	227,39	5,85 x 5	15H7	196	50 x 9
76	229,66	230,42	5,85 x 5	15H7	200	50 x 9
77	232,70	233,46	5,85 x 5	15H7	202	50 x 9
78	235,73	236,49	5,85 x 5	15H7	205	50 x 9
79	238,76	239,52	5,85 x 5	15H7	208	50 x 9
80	241,79	242,55	5,85 x 5	15H7	211	50 x 9
81	244,82	245,58	5,85 x 5	15H7	215	50 x 9
82	247,86	248,62	5,85 x 5	15H7	218	50 x 9
83	250,89	251,65	5,85 x 5	15H7	221	50 x 9
84	253,92	254,68	5,85 x 5	15H7	224	50 x 9

z	dk (mm)	do (mm)	ed (BxH) (mm)	dv (mm)	dmax (mm)	Hub (BxH) (mm)
85	256,95	257,71	5,85 x 5	20H7	227	65 x 9
86	259,98	260,74	5,85 x 5	20H7	230	65 x 9
87	263,01	263,78	5,85 x 5	20H7	233	65 x 9
88	266,05	266,81	5,85 x 5	20H7	236	65 x 9
89	269,08	269,84	5,85 x 5	20H7	239	65 x 9
90	272,11	272,87	5,85 x 5	20H7	242	65 x 9
91	275,14	275,90	5,85 x 5	20H7	245	65 x 9
92	278,17	278,93	5,85 x 5	20H7	248	65 x 9
93	281,21	281,97	5,85 x 5	20H7	251	65 x 9
94	284,24	285,00	5,85 x 5	20H7	254	65 x 9
95	287,27	288,03	5,85 x 5	20H7	257	65 x 9
96	290,30	291,06	5,85 x 5	20H7	260	65 x 9
97	293,33	294,09	5,85 x 5	20H7	263	65 x 9
98	296,37	297,13	5,85 x 5	20H7	266	65 x 9
99	299,40	300,16	5,85 x 5	20H7	269	65 x 9
100	302,43	303,19	5,85 x 5	24H7	272	75 x 9
101	305,49	306,22	5,85 x 5	24H7	275	75 x 9
102	308,49	309,25	5,85 x 5	24H7	278	75 x 9
103	311,53	312,29	5,85 x 5	24H7	282	75 x 9
104	314,56	315,32	5,85 x 5	24H7	285	75 x 9
105	317,59	318,35	5,85 x 5	24H7	288	75 x 9
106	320,62	321,38	5,85 x 5	24H7	291	75 x 9
107	323,65	324,41	5,85 x 5	24H7	294	75 x 9
108	326,68	327,45	5,85 x 5	24H7	297	75 x 9
109	329,72	330,48	5,85 x 5	24H7	300	75 x 9
110	332,75	333,51	5,85 x 5	24H7	303	75 x 9
111	335,78	336,54	5,85 x 5	24H7	306	75 x 9
112	338,81	339,57	5,85 x 5	24H7	309	75 x 9
113	341,84	342,60	5,85 x 5	24H7	312	75 x 9
114	344,88	345,64	5,85 x 5	24H7	315	75 x 9

 = Standard ring sizes in stock

Synchronising pulleys easy drive® for cylindrical bore Imperial-profile



- z = Number of teeth
- dk = Outside diameter
- do = Pitch diameter
- ed = easy drive® groove
- dv = Diameter of pre-bore
- dmax = max. bore diameter without feather key groove
- dh = Hub diameter
- wh = Hub width

Min. diameter of the tension rollers without contra-flexure 60 mm, with contra-flexure 80 mm.

Imperial code	075	100	150	200	300	400	600
Belt width = b (mm)	19,1	25,4	38,1	50,8	76,2	101,6	152,4
Total width = B (mm)	21,1	27,4	40,1	52,8	78,2	103,6	154,4
Total width with hub = BN (mm)	B + 10 / 8 / 11 / 16 mm						

Other widths and larger sizes are available.

H (T1/2")

z	dk (mm)	do (mm)	ed (BxH) (mm)	dv (mm)	dmax (mm)	Hub (BxH) (mm)
14	55,23	56,60	5,85 x 5	12H7	30	40 x 10
15	59,27	60,64	5,85 x 5	15H7	34	46 x 10
16	63,31	64,68	5,85 x 5	15H7	38	46 x 10
17	67,35	68,72	5,85 x 5	15H7	42	54 x 10
18	71,39	72,77	5,85 x 5	15H7	46	54 x 10
19	75,44	76,81	5,85 x 5	15H7	50	58 x 10
20	79,48	80,85	5,85 x 5	15H7	54	62 x 10
21	83,52	84,89	5,85 x 5	15H7	59	67 x 10
22	87,56	88,94	5,85 x 5	15H7	63	70 x 10
23	91,61	92,98	5,85 x 5	15H7	67	75 x 10
24	95,65	97,02	5,85 x 5	15H7	70	75 x 10
25	99,69	101,06	5,85 x 5	15H7	70	55 x 8
26	103,73	105,11	5,85 x 5	15H7	74	55 x 8
27	107,78	109,15	5,85 x 5	15H7	78	60 x 8
28	111,82	113,19	5,85 x 5	15H7	82	60 x 8

z	dk (mm)	do (mm)	ed (BxH) (mm)	dv (mm)	dmax (mm)	Hub (BxH) (mm)
29	115,86	117,23	5,85 x 5	15H7	86	60 x 8
30	119,90	121,28	5,85 x 5	15H7	90	70 x 8
31	123,95	125,32	5,85 x 5	20H7	94	70 x 8
32	127,99	129,36	5,85 x 5	20H7	98	70 x 8
33	132,03	133,40	5,85 x 5	20H7	102	80 x 8
34	136,08	137,45	5,85 x 5	20H7	106	80 x 8
35	140,12	141,49	5,85 x 5	20H7	110	80 x 8
36	144,16	145,53	5,85 x 5	20H7	114	80 x 8
37	148,20	149,57	5,85 x 5	20H7	118	80 x 8
38	152,25	153,62	5,85 x 5	20H7	122	80 x 8
39	156,29	157,66	5,85 x 5	20H7	125	80 x 8
40	160,33	161,70	5,85 x 5	20H7	125	80 x 8
41	164,37	165,74	5,85 x 5	20H7	129	80 x 8
42	168,42	169,79	5,85 x 5	20H7	133	80 x 8
43	172,46	173,83	5,85 x 5	20H7	137	80 x 8

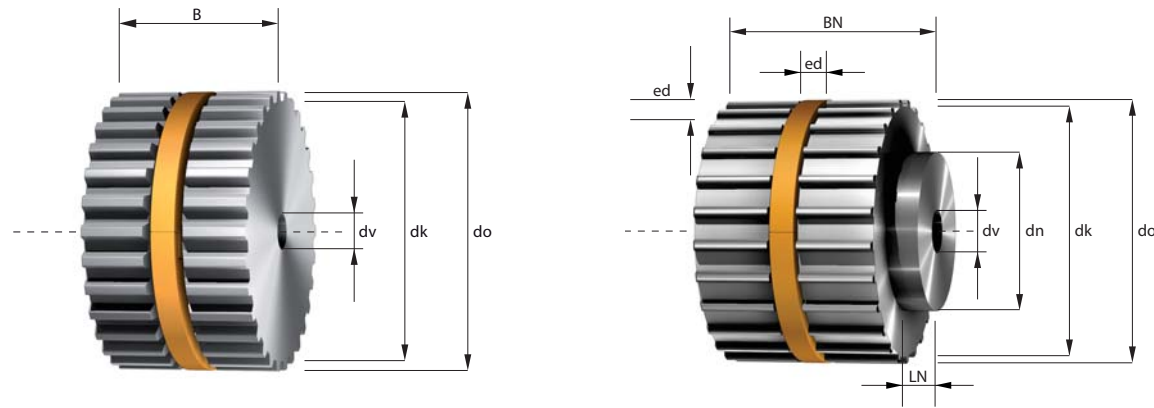
H (T1/2")

z	dk (mm)	do (mm)	ed (BxH) (mm)	dv (mm)	dmax (mm)	Hub (BxH) (mm)
44	176,50	177,87	5,85 x 5	20H7	142	80 x 8
45	180,54	181,91	5,85 x 5	20H7	146	80 x 8
46	184,59	185,96	5,85 x 5	20H7	150	80 x 8
47	188,63	190,00	5,85 x 5	20H7	154	80 x 8
48	192,67	194,04	5,85 x 5	20H7	158	80 x 8
49	196,71	198,08	5,85 x 5	20H7	162	80 x 11
50	200,76	202,13	5,85 x 5	20H7	166	80 x 11
51	204,80	206,17	5,85 x 5	20H7	170	80 x 11
52	208,84	210,21	5,85 x 5	20H7	174	80 x 11
53	212,88	214,25	5,85 x 5	20H7	178	80 x 11
54	216,93	218,30	5,85 x 5	20H7	182	80 x 11
55	220,97	222,34	5,85 x 5	20H7	186	80 x 11
56	225,01	226,38	5,85 x 5	20H7	190	80 x 11
57	229,05	230,42	5,85 x 5	20H7	194	80 x 11
58	233,10	234,47	5,85 x 5	20H7	198	80 x 11
59	237,14	238,51	5,85 x 5	20H7	202	80 x 11
60	241,18	242,55	5,85 x 5	20H7	206	80 x 11
61	245,22	246,59	5,85 x 5	20H7	210	80 x 11
62	249,27	250,64	5,85 x 5	20H7	214	80 x 11
63	253,31	254,68	5,85 x 5	20H7	218	80 x 11
64	257,35	258,72	5,85 x 5	20H7	222	80 x 11
65	261,39	262,76	5,85 x 5	20H7	226	80 x 11
66	265,44	266,81	5,85 x 5	20H7	230	80 x 11
67	269,48	270,85	5,85 x 5	20H7	234	80 x 11
68	273,52	274,89	5,85 x 5	20H7	239	80 x 11
69	277,56	278,93	5,85 x 5	20H7	243	80 x 11
70	281,61	282,98	5,85 x 5	20H7	247	80 x 11
71	285,65	287,02	5,85 x 5	20H7	251	80 x 11
72	289,69	291,06	5,85 x 5	20H7	255	80 x 11
73	293,73	295,11	5,85 x 5	20H7	259	80 x 11
74	297,78	299,15	5,85 x 5	20H7	263	80 x 11
75	301,82	303,19	5,85 x 5	20H7	267	80 x 11
76	305,86	307,23	5,85 x 5	20H7	271	80 x 11
77	309,90	311,28	5,85 x 5	20H7	275	80 x 11
78	313,95	315,32	5,85 x 5	20H7	279	80 x 11
79	317,99	319,36	5,85 x 5	20H7	283	80 x 11
80	322,03	323,40	5,85 x 5	20H7	287	80 x 11
81	326,07	327,45	5,85 x 5	20H7	291	80 x 11
82	330,12	331,49	5,85 x 5	20H7	295	80 x 11
83	334,16	335,53	5,85 x 5	20H7	299	80 x 11
84	338,20	339,57	5,85 x 5	20H7	303	80 x 11
85	342,24	343,62	5,85 x 5	20H7	307	80 x 11
86	346,29	347,66	5,85 x 5	20H7	311	80 x 11
87	350,33	351,70	5,85 x 5	20H7	315	80 x 11
88	354,37	355,74	5,85 x 5	20H7	319	80 x 11

z	dk (mm)	do (mm)	ed (BxH) (mm)	dv (mm)	dmax (mm)	Hub (BxH) (mm)
89	358,41	359,79	5,85 x 5	20H7	323	80 x 11
90	362,46	363,83	5,85 x 5	20H7	327	80 x 11
91	366,50	367,87	5,85 x 5	20H7	332	80 x 11
92	370,54	371,91	5,85 x 5	20H7	336	80 x 11
93	374,58	375,96	5,85 x 5	20H7	340	80 x 11
94	378,63	380,00	5,85 x 5	20H7	344	80 x 11
95	382,67	384,04	5,85 x 5	20H7	348	80 x 11
96	386,71	388,08	5,85 x 5	20H7	352	80 x 11
97	390,76	392,13	5,85 x 5	24H7	356	90 x 16
98	394,80	396,17	5,85 x 5	24H7	360	90 x 16
99	398,84	400,21	5,85 x 5	24H7	364	90 x 16
100	402,88	404,25	5,85 x 5	24H7	368	90 x 16
101	406,93	408,30	5,85 x 5	24H7	372	90 x 16
102	410,97	412,34	5,85 x 5	24H7	376	90 x 16
103	415,01	416,38	5,85 x 5	24H7	380	90 x 16
104	419,05	420,42	5,85 x 5	24H7	384	90 x 16
105	423,10	424,47	5,85 x 5	24H7	388	90 x 16
106	427,14	428,51	5,85 x 5	24H7	392	90 x 16
107	431,18	432,55	5,85 x 5	24H7	396	90 x 16
108	435,22	436,59	5,85 x 5	24H7	400	90 x 16
109	439,27	440,64	5,85 x 5	24H7	404	90 x 16
110	443,31	444,68	5,85 x 5	24H7	408	90 x 16
111	447,35	448,72	5,85 x 5	24H7	412	90 x 16
112	451,39	452,76	5,85 x 5	24H7	416	90 x 16
113	455,44	456,81	5,85 x 5	24H7	420	90 x 16
114	459,48	460,85	5,85 x 5	24H7	424	90 x 16

■ = Standard ring sizes in stock

Synchronising pulleys easy drive® for cylindrical bore Imperial-profile



- z = Number of teeth
- dk = Outside diameter
- do = Pitch diameter
- ed = easy drive® groove
- dv = Diameter of pre-bore
- dmax = max. bore diameter without feather key groove
- dh = Hub diameter
- wh = Hub width

Min. diameter of the tension rollers without contra-flexure 150 mm, with contra-flexure 180 mm.

Imperial code	100	150	200	300	400	600	600
Belt width = b (mm)	25,4	38,1	50,8	76,2	101,6	152,4	152,4
Total width = B (mm)	27,4	40,1	52,8	78,2	103,6	154,4	154,4
Total width with hub = BN (mm)	B + 18 / 15 mm						

Other widths and larger sizes are available.

XH (T7/8")

z	dk (mm)	do (mm)	ed (BxH) (mm)	dv (mm)	dmax (mm)	Hub (BxH) (mm)
18	124,55	127,34	*	20H7	95	85 x 18
19	131,62	134,41	*	20H7	102	95 x 18
20	138,69	141,49	*	20H7	109	95 x 18
21	145,77	148,56	*	20H7	116	110 x 18
22	152,84	155,64	*	20H7	123	110 x 18
23	159,92	162,71	*	20H7	130	125 x 18
24	166,99	169,79	*	25H7	137	125 x 18
25	174,07	176,86	*	25H7	144	140 x 18
26	181,14	183,94	*	25H7	151	140 x 18
27	188,22	191,01	*	25H7	158	120 x 18
28	195,29	198,08	*	25H7	168	120 x 18
29	202,37	205,16	*	25H7	172	120 x 18
30	209,44	212,23	*	25H7	179	120 x 18
31	216,52	219,31	*	25H7	187	130 x 18
32	223,59	226,38	*	25H7	194	130 x 18

z	dk (mm)	do (mm)	ed (BxH) (mm)	dv (mm)	dmax (mm)	Hub (BxH) (mm)
33	230,67	233,46	*	25H7	201	140 x 18
34	237,74	240,53	*	25H7	208	140 x 18
35	244,81	247,61	*	25H7	215	140 x 18
36	251,89	254,68	*	25H7	222	140 x 18
37	258,96	261,75	*	25H7	229	140 x 18
38	266,04	268,83	*	25H7	236	140 x 18
39	273,11	275,90	*	25H7	243	140 x 18
40	280,18	282,98	*	25H7	250	140 x 18
41	287,26	290,05	*	30H7	257	150 x 15
42	294,34	297,13	*	30H7	264	150 x 15
43	301,41	304,20	*	30H7	271	150 x 15
44	308,48	311,28	*	30H7	278	150 x 15
45	315,56	318,35	*	30H7	286	150 x 15
46	322,63	325,42	*	30H7	293	150 x 15
47	329,71	332,50	*	30H7	300	150 x 15

XH (T7/8")

z	dk (mm)	do (mm)	ed (BxH) (mm)	dv (mm)	dmax (mm)	Hub (BxH) (mm)
48	336,78	339,57	*	30H7	307	150 x 15
49	343,86	346,35	*	30H7	314	150 x 15
50	350,93	353,72	*	30H7	321	150 x 15
51	358,08	360,80	*	30H7	328	150 x 15
52	365,08	367,87	*	30H7	335	150 x 15
53	372,15	374,95	*	30H7	342	150 x 15
54	379,23	382,02	*	30H7	349	150 x 15
55	386,30	389,09	*	30H7	356	150 x 15
56	393,38	396,17	*	30H7	363	150 x 15
57	400,45	403,24	*	30H7	370	150 x 15
58	407,53	410,32	*	30H7	378	150 x 15
59	414,60	417,39	*	30H7	385	150 x 15
60	421,67	424,47	*	30H7	392	150 x 15
61	428,75	431,54	*	40H7	399	150 x 15
62	435,82	438,62	*	40H7	406	150 x 15
63	442,90	445,69	*	40H7	413	150 x 15
64	449,97	452,76	*	40H7	420	150 x 15
65	457,05	459,84	*	40H7	427	150 x 15
66	464,12	466,91	*	40H7	434	150 x 15
67	471,20	473,99	*	40H7	441	150 x 15
68	478,27	481,06	*	40H7	448	150 x 15
69	485,35	488,14	*	40H7	455	150 x 15
70	492,42	495,21	*	40H7	462	150 x 15
71	499,49	502,29	*	40H7	469	150 x 15
72	506,57	509,36	*	40H7	477	150 x 15
73	513,64	516,43	*	40H7	484	160 x 15
74	520,72	523,51	*	40H7	491	160 x 15
75	527,79	530,58	*	40H7	498	160 x 15
76	534,87	537,66	*	40H7	505	160 x 15
77	541,94	544,73	*	40H7	512	160 x 15
78	549,01	551,81	*	40H7	519	160 x 15
79	556,09	558,88	*	40H7	526	160 x 15
80	563,16	565,95	*	40H7	533	160 x 15
81	570,24	573,03	*	40H7	540	160 x 15
82	577,31	580,10	*	40H7	547	160 x 15
83	584,39	587,18	*	40H7	554	160 x 15
84	591,46	594,25	*	40H7	561	160 x 15
85	598,54	601,33	*	40H7	569	160 x 15
86	605,61	608,40	*	40H7	576	160 x 15
87	612,68	615,48	*	40H7	583	160 x 15
88	619,76	622,55	*	40H7	590	160 x 15
89	626,83	629,62	*	40H7	597	160 x 15
90	633,91	636,70	*	40H7	604	160 x 15
91	640,98	643,77	*	40H7	611	160 x 15
92	648,06	650,85	*	40H7	618	160 x 15

z	dk (mm)	do (mm)	ed (BxH) (mm)	dv (mm)	dmax (mm)	Hub (BxH) (mm)
93	655,13	657,92	*	40H7	625	160 x 15
94	662,21	665,00	*	40H7	632	160 x 15
95	669,27	672,07	*	40H7	639	160 x 15
96	676,35	679,15	*	40H7	646	160 x 15
97	683,44	686,22	*	40H7	653	160 x 15
98	690,50	693,29	*	40H7	660	160 x 15
99	697,59	700,37	*	40H7	668	160 x 15
100	704,65	707,44	*	40H7	675	160 x 15
101	711,74	714,52	*	40H7	682	160 x 15
102	718,80	721,59	*	40H7	689	160 x 15
103	725,88	728,67	*	40H7	696	160 x 15
104	732,95	735,74	*	40H7	703	160 x 15
105	740,03	742,82	*	40H7	710	160 x 15
106	747,09	749,89	*	40H7	717	160 x 15
107	754,18	756,96	*	40H7	724	160 x 15
108	761,24	764,04	*	40H7	731	160 x 15
109	768,33	771,11	*	40H7	738	160 x 15
110	775,39	778,19	*	40H7	745	160 x 15
111	782,48	785,26	*	40H7	752	160 x 15
112	789,54	792,34	*	40H7	760	160 x 15
113	796,62	799,41	*	40H7	767	160 x 15
114	803,68	806,49	*	40H7	774	160 x 15

* On request

Materials



Description	Material no.	Properties	Tensile strength (N/mm ²)	Yield strength (N/mm ²)
-------------	--------------	------------	---------------------------------------	-------------------------------------

Non-ferrous metals (Al)

AlCuMgPb AlCuMgPbMgMn	3.1645 2007	Good machinability	ca. 350	ca. 230
AlMgSi1 AlSiMgMn	3.2315 6082	Corrosion-resistant, salt-water resistant, weldable, good for anodizing	ca. 280	ca. 230
AlZnMgCu1,5 AlZn5,5MgCu	3.4365 7075	Extremely high strength, good for anodizing	ca. 510	ca. 440
AlSiMgBi	6026	salt-water resistant, RoHs conform, good for anodizing	ca. 310	ca. 240

Steel (St)

C45	1.0503	Standard	590 - 740	ca. 350
9 SMnPb28 (11Sn30) (bis 100 mm)	1.0718	Good machinability, hardenable to a limited extent	ca. 350	ca. 205
X10CrNiS18 9	1.4305	Rust-resistant, good machinability	500 - 700	

Grey cast iron

GG25	EN-JL 1040	Corrosion-resistant	250 - 350	165
------	------------	---------------------	-----------	-----

Description	Trade name	Properties	Tensile strength (N/mm ²)
-------------	------------	------------	---------------------------------------

Plastics

PA6 (polyamide)	Ultramid, Rilsan	high stiffness, chemical resistant	50 - 84
PA12C (cast polyamide)	Lauramid, Hawamid	wear-resistant, hydrolysis resistant	60
POM (polyoxymethylene)	Delrin, Hostaform	Good machinability	55 - 62

Surface treatment / finishing of pulleys

Description	Layer thickness in µm (10-3 mm)	Tolerance in µm	
-------------	---------------------------------	-----------------	--

Metal coatings

Electro-galvanize	20	+/- 10	Steel
-------------------	----	--------	-------

Nickel-plating chemical	10-30	+/- 3	AL/Steel
-------------------------	-------	-------	----------

Plating takes place in heated acid electrolytes. Good protection against corrosion only with an absolutely impenetrable coating having a thickness of min. 25 µm on iron. Good hard surface.

Nickel-plating galvanic	10-30	+/- 10	AL/Steel
-------------------------	-------	--------	----------

Plating takes place in heated acid electrolytes. Good protection against corrosion only with an absolutely impenetrable coating having a thickness of min. 25 µm on iron. Good hard surface.

Chromating, blue galvanic			Steel
---------------------------	--	--	-------

Subsequent treatment of electro-galvanized coating by dipping in solutions of sodium chromate and sulphuric acid 1/7 µm, e.g. when there is saltwater contact.

Hard chromium plating	up to 100	+/- 5	Steel
-----------------------	-----------	-------	-------

Non-metal coatings

Bronzing	1 - 2		Steel
----------	-------	--	-------

Iron is dipped into heated sodium hydrate, alkaline or sulphate lye; afterwards, the product is repeatedly rubbed with oil or wax. Low corrosion resistance.

Phosphatizing	5 - 12	+/- 3	Steel
---------------	--------	-------	-------

Phosphate layers are created by dipping the workpiece into phosphoric acid solutions of heavy or alkali metals (see also bonderizing).

Anodizing	10 -25		AL
-----------	--------	--	----

An oxide layer is created by electric oxidation on Al, Mg, Zn or alloy.

Hard anodizing	30 - 40	+/- 5	AL
----------------	---------	-------	----

Hard coating	<40 >40	+/- 5 +/- 10	
--------------	------------	-----------------	--



Taperlock clampings are the standardized, commercially available machine parts for creating non-positive shaft-to-hub connections with a pulley. The conically slotted bushing with feather key groove according to DIN 6885 serves to fasten pulleys to shafts or journals.

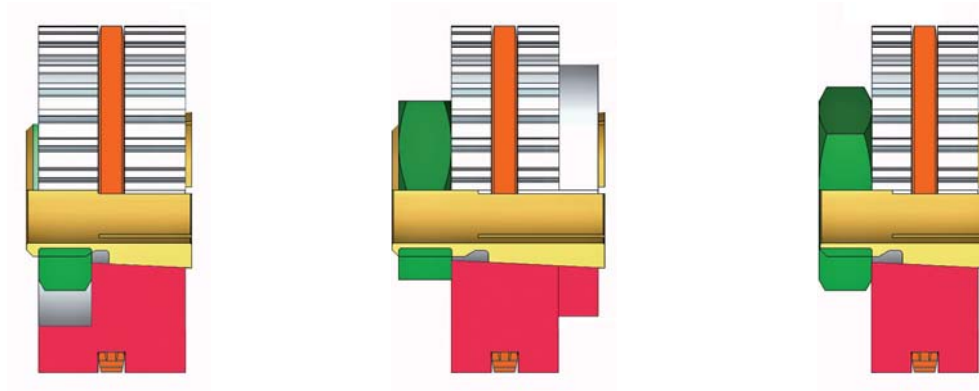
Taperlock clampings are available in different outside dimensions. A large number of bore sizes are available for each outside dimension, i.e. for the corresponding shaft diameter. The 4-digit number refers to the outside dimension, the 2-digit number indicates the bore size.

		Taperlock bushing, material EN-GJL 200 – DIN EN 1561															
		1008	1108	1210	1215	1310	1610	1615	2012	2517	3020	3030	3525	3535	4040	4545	5050
Ø bore mm	10	10	11	11	14	14	14	14	16	25	35	35	35	40	55	70	
	11	11	12	12	16	16	16	16	18	28	38	38	38	42	60	75	
	12	12	14	14	18	18	18	18	19	30	40	40	40	45	65	80	
	14	14	16	16	19	19	19	19	20	32	42	42	42	48	70	85	
	16	16	18	18	20	20	20	20	22	35	45	45	45	50	75	90	
	18	18	19	19	22	22	22	22	24	38	48	48	48	55	80	95	
	19	19	20	20	24	24	24	24	25	40	50	50	50	60	85	100	
	20	20	22	22	25	25	25	25	28	42	55	55	55	65	90	105	
	22	22	24	24	28	28	28	28	30	45	60	60	60	70	95	110	
	24*	24	25	25	30	30	30	30	32	48	65	65	65	75	100	115	
	25*	25	28	28	32	32	32	32	35	50	70	70	70	80	105	120	
		28*	30	30	35	35	35	35	38	55	75	75	75	85	110	125	
			32	32		38	38	38	40	60		80	80	90			
						40	40	40	42	65		85	85	95			
						42*	42*	42	45	70		90	90	100			
								45	48	75							
								48	50								
							50	55									
								60									
Hexagon socket screw (inch)	1/4 x 1/2	1/4 x 1/2	3/8 x 5/8	3/8 x 5/8	3/8 x 5/8	3/8 x 5/8	3/8 x 5/8	7/16 x 7/8	1/2 x 1	5/8 x 1 1/4	5/8 x 1 1/4	1/2 x 1 1/2	1/2 x 1 1/2	5/8 x 1 3/4	3/4 x 2	7/8 x 2 1/4	
Tightening (Nm)	5,7	5,7	20	20	20	20	20	31	49	92	92	115	115	172	195	275	
Bushing length (mm)	22,3	22,3	25,4	38,1	25,4	25,4	38,1	31,8	44,5	50,8	76,2	63,5	88,9	101,6	114,3	127,0	
Weight for d2 min.	0,12	0,16	0,28	0,39	0,32	0,41	0,60	0,75	1,06	2,50	3,75	3,90	5,13	7,68	12,70	15,17	

* This bore has a flat groove.



Pulleys can be fastened to cylindrical shafts or journals safely, flexibly and, above all, economically with BOQA clamping bushings.



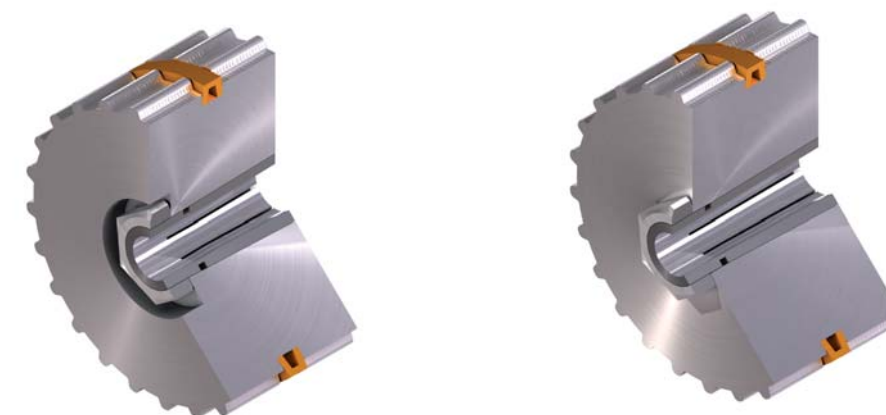
Shaft-to-hub connections with BOQA fastening elements are:

- SAFE - non-positive, backlash-free and highly precise fastening of pulleys
- FAST - marked gain in time needed for assembly
- FLEXIBLE - wide range of applicability, high delivery standard
- ECONOMICAL - reduction in costs
- SPACE-SAVING - extremely compact, no overhang
- NON-CORROSIVE - made predominantly of stainless steel

Shaft-to-hub connections with BOQA fastening elements are insensitive to extreme load alternations. They can be easily adjusted axially and radially, are easy to mount and dismount. Any additional forming of the shaft or other adjustment work will not be necessary.

BOQA fastening elements can be delivered starting from a shaft diameter of 2.00 mm – also in inches. In view of the large standard product range, BOQA fastening elements also can be adapted to fulfill your requirements.

Simply the better solution.





BELTING GROUP GmbH
Menzelstraße 28
D-70192 Stuttgart
Fon +49 711 9 45 63 88-0
Fax +49 711 9 45 63 88-9

info@belting-group.com
www.belting-group.com

