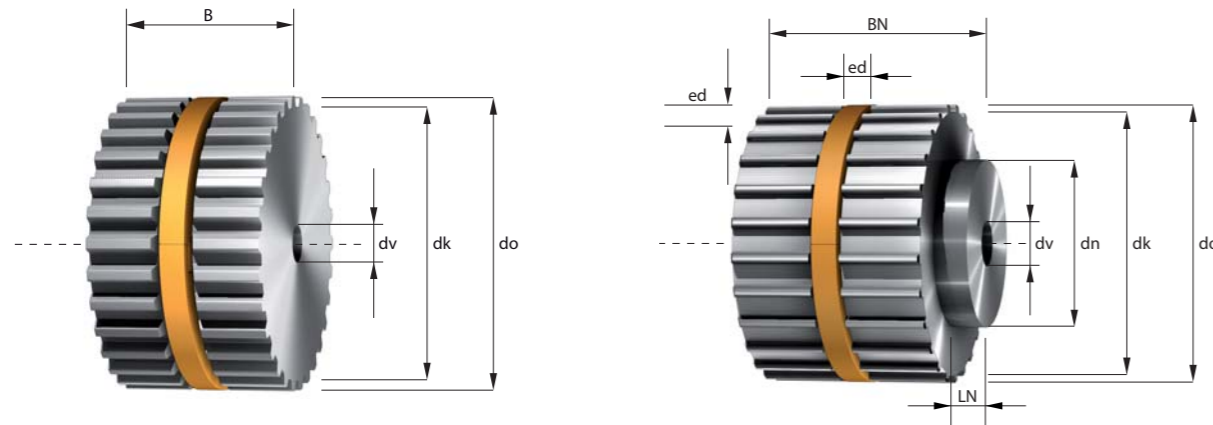


Synchronscheiben easy drive® für zylindrische Bohrung Zoll-Profil



- z = Zähnezahl
- dk = Kopfkreisdurchmesser
- do = Wirkkreisdurchmesser
- ed = easy drive® Nut
- dv = Durchmesser der Vorbohrung
- dmax = max. Bohrungsdurchmesser ohne Passfedernut
- dn = Durchmesser der Nabe
- LN = Breite der Nabe

dmin Mindestdurchmesser der Spannrolle auf Verzahnung 15 mm, auf Riemenrücken laufend 18 mm

| Zollcode | 075 | 100 | 150 | 200 |
|---------------------------------|------|------|------|------|
| Riemenbreite = b (mm) | 19,1 | 25,4 | 38,1 | 50,8 |
| Gesamtbreite = B (mm) | 21,1 | 27,4 | 40,1 | 52,8 |
| Gesamtbreite mit Nabe = BN (mm) | 27,1 | 33,4 | 46,1 | 58,8 |

Zwischenbreiten und größere Abmessungen sind möglich.

MXL (T1/8")

| z | dk (mm) | do (mm) | ed (BxH) (mm) | dv (mm) | dmax (mm) | Nabe (BxH) (mm) |
|----|---------|---------|---------------|---------|-----------|-----------------|
| 34 | 21,48 | 21,99 | 5,85 x 4 | 3H7 | 6 | 14 x 6 |
| 35 | 22,13 | 22,64 | 5,85 x 4 | 3H7 | 7 | 14 x 6 |
| 36 | 22,78 | 23,29 | 5,85 x 4 | 3H7 | 8 | 14 x 6 |
| 37 | 23,42 | 23,93 | 5,85 x 4 | 3H7 | 8 | 14 x 6 |
| 38 | 24,07 | 24,58 | 5,85 x 4 | 3H7 | 9 | 14 x 6 |
| 39 | 24,72 | 25,23 | 5,85 x 4 | 3H7 | 9 | 14 x 6 |
| 40 | 25,36 | 25,87 | 5,85 x 4 | 3H7 | 10 | 14 x 6 |
| 41 | 26,01 | 26,52 | 5,85 x 4 | 3H7 | 10 | 14 x 6 |
| 42 | 26,66 | 27,17 | 5,85 x 4 | 3H7 | 10 | 14 x 6 |
| 43 | 27,30 | 27,81 | 5,85 x 4 | 3H7 | 11 | 14 x 6 |
| 44 | 27,95 | 28,46 | 5,85 x 4 | 3H7 | 12 | 14 x 6 |
| 45 | 28,60 | 29,11 | 5,85 x 4 | 3H7 | 12 | 14 x 6 |
| 46 | 29,24 | 29,75 | 5,85 x 4 | 3H7 | 13 | 14 x 6 |
| 47 | 29,89 | 30,40 | 5,85 x 4 | 3H7 | 14 | 14 x 6 |
| 48 | 30,54 | 31,05 | 5,85 x 5 | 4H7 | 10 | 20 x 6 |

| z | dk (mm) | do (mm) | ed (BxH) (mm) | dv (mm) | dmax (mm) | Nabe (BxH) (mm) |
|----|---------|---------|---------------|---------|-----------|-----------------|
| 49 | 31,18 | 31,69 | 5,85 x 5 | 4H7 | 11 | 20 x 6 |
| 50 | 31,83 | 32,34 | 5,85 x 5 | 4H7 | 12 | 20 x 6 |
| 51 | 32,48 | 32,99 | 5,85 x 5 | 4H7 | 12 | 20 x 6 |
| 52 | 33,13 | 33,63 | 5,85 x 5 | 4H7 | 13 | 20 x 6 |
| 53 | 33,77 | 34,28 | 5,85 x 5 | 4H7 | 14 | 20 x 6 |
| 54 | 34,42 | 34,93 | 5,85 x 5 | 4H7 | 14 | 22 x 6 |
| 55 | 35,06 | 35,57 | 5,85 x 5 | 4H7 | 15 | 22 x 6 |
| 56 | 35,71 | 36,22 | 5,85 x 5 | 4H7 | 15 | 22 x 6 |
| 57 | 36,36 | 36,87 | 5,85 x 5 | 4H7 | 16 | 22 x 6 |
| 58 | 37,00 | 37,51 | 5,85 x 5 | 4H7 | 17 | 22 x 6 |
| 59 | 37,65 | 38,16 | 5,85 x 5 | 4H7 | 17 | 22 x 6 |
| 60 | 38,30 | 38,81 | 5,85 x 5 | 6H7 | 18 | 22 x 6 |
| 61 | 38,95 | 39,46 | 5,85 x 5 | 6H7 | 19 | 26 x 6 |
| 62 | 39,59 | 40,10 | 5,85 x 5 | 6H7 | 19 | 26 x 6 |
| 63 | 40,24 | 40,75 | 5,85 x 5 | 6H7 | 20 | 26 x 6 |

 = Standardringgrößen an Lager

MXL (T1/8")

| z | dk (mm) | do (mm) | ed (BxH) (mm) | dv (mm) | dmax (mm) | Nabe (BxH) (mm) |
|-----|---------|---------|---------------|---------|-----------|-----------------|
| 64 | 40,89 | 41,40 | 5,85 x 5 | 6H7 | 20 | 26 x 6 |
| 65 | 41,53 | 42,04 | 5,85 x 5 | 6H7 | 21 | 26 x 6 |
| 66 | 42,18 | 42,69 | 5,85 x 5 | 6H7 | 22 | 26 x 6 |
| 67 | 42,83 | 43,34 | 5,85 x 5 | 6H7 | 22 | 26 x 6 |
| 68 | 43,47 | 43,98 | 5,85 x 5 | 6H7 | 23 | 26 x 6 |
| 69 | 44,12 | 44,63 | 5,85 x 5 | 6H7 | 24 | 26 x 6 |
| 70 | 44,77 | 45,28 | 5,85 x 5 | 6H7 | 24 | 26 x 6 |
| 71 | 45,41 | 45,92 | 5,85 x 5 | 6H7 | 25 | 26 x 6 |
| 72 | 46,06 | 46,57 | 5,85 x 5 | 6H7 | 26 | 26 x 6 |
| 73 | 46,71 | 47,22 | 5,85 x 5 | 6H7 | 26 | 34 x 6 |
| 74 | 47,35 | 47,86 | 5,85 x 5 | 6H7 | 27 | 34 x 6 |
| 75 | 48,00 | 48,51 | 5,85 x 5 | 6H7 | 28 | 34 x 6 |
| 76 | 48,65 | 49,16 | 5,85 x 5 | 6H7 | 28 | 34 x 6 |
| 77 | 49,29 | 49,80 | 5,85 x 5 | 6H7 | 29 | 34 x 6 |
| 78 | 49,94 | 50,45 | 5,85 x 5 | 6H7 | 30 | 34 x 6 |
| 79 | 50,29 | 51,10 | 5,85 x 5 | 6H7 | 30 | 34 x 6 |
| 80 | 51,23 | 51,74 | 5,85 x 5 | 6H7 | 31 | 34 x 6 |
| 81 | 51,88 | 52,39 | 5,85 x 5 | 6H7 | 31 | 34 x 6 |
| 82 | 52,53 | 53,04 | 5,85 x 5 | 6H7 | 32 | 34 x 6 |
| 83 | 53,17 | 53,68 | 5,85 x 5 | 6H7 | 33 | 34 x 6 |
| 84 | 53,82 | 54,33 | 5,85 x 5 | 6H7 | 33 | 34 x 6 |
| 85 | 54,47 | 54,98 | 5,85 x 5 | 6H7 | 34 | 34 x 6 |
| 86 | 55,12 | 55,63 | 5,85 x 5 | 6H7 | 35 | 34 x 6 |
| 87 | 55,76 | 56,27 | 5,85 x 5 | 8H7 | 35 | 34 x 6 |
| 88 | 56,41 | 56,92 | 5,85 x 5 | 8H7 | 36 | 34 x 6 |
| 89 | 57,06 | 57,57 | 5,85 x 5 | 8H7 | 37 | 34 x 6 |
| 90 | 57,70 | 58,21 | 5,85 x 5 | 8H7 | 37 | 34 x 6 |
| 91 | 58,35 | 58,86 | 5,85 x 5 | 8H7 | 38 | 38 x 6 |
| 92 | 59,00 | 59,51 | 5,85 x 5 | 8H7 | 39 | 38 x 6 |
| 93 | 59,64 | 60,15 | 5,85 x 5 | 8H7 | 39 | 38 x 6 |
| 94 | 60,29 | 60,80 | 5,85 x 5 | 8H7 | 40 | 38 x 6 |
| 95 | 60,94 | 61,45 | 5,85 x 5 | 8H7 | 41 | 38 x 6 |
| 96 | 61,58 | 62,09 | 5,85 x 5 | 8H7 | 41 | 38 x 6 |
| 97 | 62,23 | 62,74 | 5,85 x 5 | 8H7 | 42 | 38 x 6 |
| 98 | 62,88 | 63,39 | 5,85 x 5 | 8H7 | 42 | 38 x 6 |
| 99 | 63,52 | 64,03 | 5,85 x 5 | 8H7 | 43 | 38 x 6 |
| 100 | 64,17 | 64,68 | 5,85 x 5 | 8H7 | 44 | 38 x 6 |
| 101 | 64,82 | 65,33 | 5,85 x 5 | 8H7 | 44 | 38 x 6 |
| 102 | 65,46 | 65,97 | 5,85 x 5 | 8H7 | 45 | 38 x 6 |
| 103 | 66,11 | 66,62 | 5,85 x 5 | 8H7 | 46 | 38 x 6 |
| 104 | 66,76 | 67,27 | 5,85 x 5 | 8H7 | 46 | 38 x 6 |
| 105 | 67,40 | 67,91 | 5,85 x 5 | 8H7 | 47 | 38 x 6 |
| 106 | 68,05 | 68,56 | 5,85 x 5 | 8H7 | 48 | 38 x 6 |
| 107 | 68,70 | 69,21 | 5,85 x 5 | 8H7 | 48 | 38 x 6 |
| 108 | 69,35 | 69,86 | 5,85 x 5 | 8H7 | 49 | 38 x 6 |

| z | dk (mm) | do (mm) | ed (BxH) (mm) | dv (mm) | dmax (mm) | Nabe (BxH) (mm) |
|-----|---------|---------|---------------|---------|-----------|-----------------|
| 109 | 69,99 | 70,50 | 5,85 x 5 | 8H7 | 50 | 38 x 6 |
| 110 | 70,64 | 71,15 | 5,85 x 5 | 8H7 | 50 | 38 x 6 |
| 111 | 71,29 | 71,80 | 5,85 x 5 | 8H7 | 51 | 38 x 6 |
| 112 | 71,93 | 72,44 | 5,85 x 5 | 8H7 | 52 | 38 x 6 |
| 113 | 72,58 | 73,09 | 5,85 x 5 | 10H7 | 52 | 40 x 6 |
| 114 | 73,23 | 73,74 | 5,85 x 5 | 10H7 | 53 | 40 x 6 |