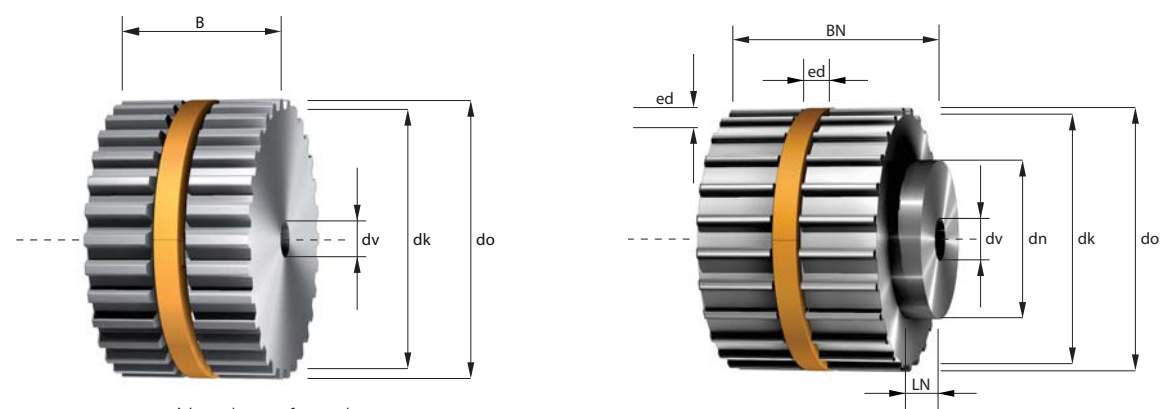


Synchronising pulleys easy drive® HTD-profile



- z = Number of teeth
- dk = Outside diameter
- do = Pitch diameter
- ed = easy drive® groove
- dv = Diameter of pre-bore
- dmax = max. bore diameter without feather key groove
- dh = Hub diameter
- wh = Hub width

Groove base to max. bore diameter min. 3-4 mm wall thickness  
 Materials: Stock pulleys - aluminium; special pulleys - steel, gray cast iron, plastics  
 Stock rings easy drive® - plastic; special rings - aluminium and steel

HTD 3	Belt width = b (mm)	15	20	25	30	50
	Total width = B (mm)	17	22	27	32	52
	Total width with hub = BN (mm)	B + 6,5/10,0 mm				

Starting from z = 23  
 Min. diameter of the tension rollers without contra-flexure 20 mm, with contra-flexure 20 mm.

HTD 5	Belt width = b (mm)	15	20	25	30	50	75	100	150	
	Total width = B (mm)	17	22	27	32	52	77	102	152	
	Total width with hub = BN (mm)	B + 5,5/7,5/9,5 mm								

Starting from z = 14  
 Min. diameter of the tension rollers without contra-flexure 30 mm, with contra-flexure 60 mm.

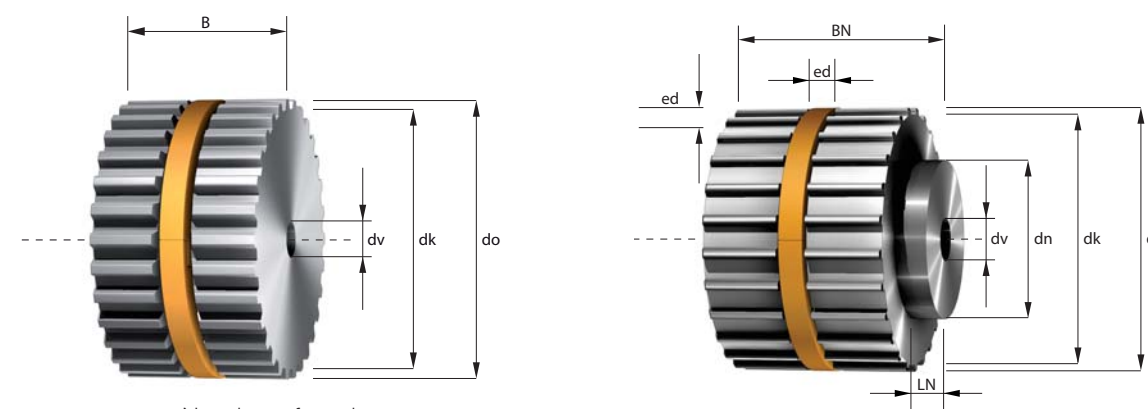
HTD 8	Belt width = b (mm)	20	25	30	50	85	115	150
	Total width = B (mm)	22	27	32	52	87	117	152
	Total width with hub = BN (mm)	32	37	42	62	97	127	162

Starting from z = 20  
 Min. diameter of the tension rollers without contra-flexure 60 mm, with contra-flexure 120 mm.

HTD 14	Belt width = b (mm)	40	55	85	115	170
	Total width = B (mm)	42	57	87	117	172
	Total width with hub = BN (mm)	57	72	102	132	187

Starting from z = 28  
 Min. diameter of the tension rollers without contra-flexure 180 mm, with contra-flexure 200 mm.

Synchronising pulleys easy drive® Imperial-profile



- z = Number of teeth
- dk = Outside diameter
- do = Pitch diameter
- ed = easy drive® groove
- dv = Diameter of pre-bore
- dmax = max. bore diameter without feather key groove
- dh = Hub diameter
- wh = Hub width

Groove base to max. bore diameter min. 3-4 mm wall thickness  
 Materials: Stock pulleys - aluminium; special pulleys - steel, gray cast iron, plastics  
 Stock rings easy drive® - plastic; special rings - aluminium and steel

MXL T 1/8"	Imperial code	075	100	150	200
	Belt width = b (mm)	19,1	25,4	38,1	50,8
	Total width = B (mm)	21,1	27,4	40,1	52,8
	Total width with hub = BN (mm)	27,1	33,4	46,1	58,8

Starting from z = 34  
 Min. diameter of the tension rollers without contra-flexure 15 mm, with contra-flexure 18 mm.

XL T 1/5"	Imperial code	075	100	150	200	300	400
	Belt width = b (mm)	19,1	25,4	38,1	50,8	76,2	101,6
	Total width = B (mm)	21,1	27,4	40,1	52,8	78,2	103,6
	Total width with hub = BN (mm)	B + 5,3/8,1/12,1 mm					

Starting from z = 14  
 Min. diameter of the tension rollers without contra-flexure 30 mm, with contra-flexure 30 mm.

L T 3/8"	Imperial code	075	100	150	200	300	400	600
	Belt width = b (mm)	19,1	25,4	38,1	50,8	76,2	101,6	152,4
	Total width = B (mm)	21,1	27,4	40,1	52,8	78,2	103,6	154,4
	Total width with hub = BN (mm)	B + 7 / 9 mm						

Starting from z = 10  
 Min. diameter of the tension rollers without contra-flexure 60 mm, with contra-flexure 120 mm.

H T 1/2"	Imperial code	075	100	150	200	300	400	600
	Belt width = b (mm)	19,1	25,4	38,1	50,8	76,2	101,6	152,4
	Total width = B (mm)	21,1	27,4	40,1	52,8	78,2	103,6	154,4
	Total width with hub = BN (mm)	B + 10 / 8 / 11 / 16 mm						

Starting from z = 14  
 Min. diameter of the tension rollers without contra-flexure 60 mm, with contra-flexure 80 mm.