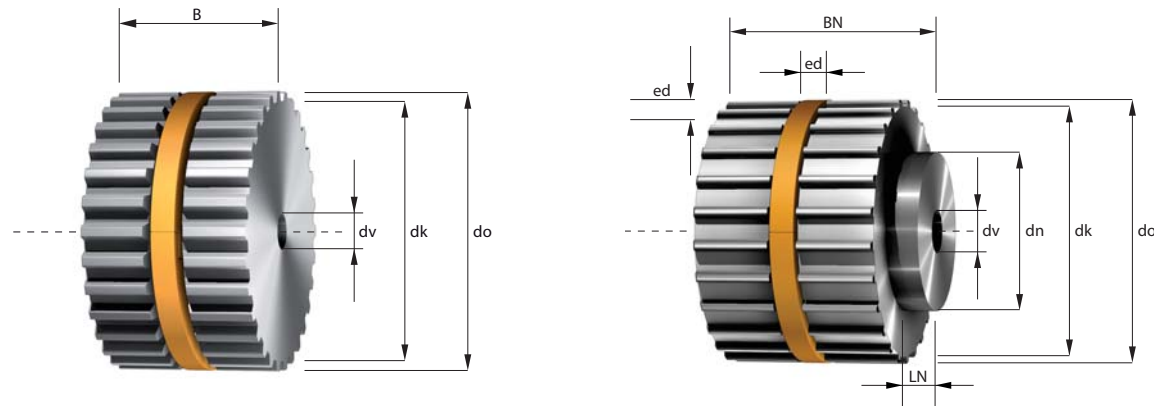


Synchronising pulleys easy drive® for cylindrical bore Imperial-profile



- z = Number of teeth
- dk = Outside diameter
- do = Pitch diameter
- ed = easy drive® groove
- dv = Diameter of pre-bore
- dmax = max. bore diameter without feather key groove
- dh = Hub diameter
- wh = Hub width

Min. diameter of the tension rollers without contra-flexure 150 mm, with contra-flexure 180 mm.

Imperial code	100	150	200	300	400	600	600
Belt width = b (mm)	25,4	38,1	50,8	76,2	101,6	152,4	152,4
Total width = B (mm)	27,4	40,1	52,8	78,2	103,6	154,4	154,4
Total width with hub = BN (mm)	B + 18 / 15 mm						

Other widths and larger sizes are available.

XH (T7/8")

z	dk (mm)	do (mm)	ed (BxH) (mm)	dv (mm)	dmax (mm)	Hub (BxH) (mm)
18	124,55	127,34	*	20H7	95	85 x 18
19	131,62	134,41	*	20H7	102	95 x 18
20	138,69	141,49	*	20H7	109	95 x 18
21	145,77	148,56	*	20H7	116	110 x 18
22	152,84	155,64	*	20H7	123	110 x 18
23	159,92	162,71	*	20H7	130	125 x 18
24	166,99	169,79	*	25H7	137	125 x 18
25	174,07	176,86	*	25H7	144	140 x 18
26	181,14	183,94	*	25H7	151	140 x 18
27	188,22	191,01	*	25H7	158	120 x 18
28	195,29	198,08	*	25H7	168	120 x 18
29	202,37	205,16	*	25H7	172	120 x 18
30	209,44	212,23	*	25H7	179	120 x 18
31	216,52	219,31	*	25H7	187	130 x 18
32	223,59	226,38	*	25H7	194	130 x 18

z	dk (mm)	do (mm)	ed (BxH) (mm)	dv (mm)	dmax (mm)	Hub (BxH) (mm)
33	230,67	233,46	*	25H7	201	140 x 18
34	237,74	240,53	*	25H7	208	140 x 18
35	244,81	247,61	*	25H7	215	140 x 18
36	251,89	254,68	*	25H7	222	140 x 18
37	258,96	261,75	*	25H7	229	140 x 18
38	266,04	268,83	*	25H7	236	140 x 18
39	273,11	275,90	*	25H7	243	140 x 18
40	280,18	282,98	*	25H7	250	140 x 18
41	287,26	290,05	*	30H7	257	150 x 15
42	294,34	297,13	*	30H7	264	150 x 15
43	301,41	304,20	*	30H7	271	150 x 15
44	308,48	311,28	*	30H7	278	150 x 15
45	315,56	318,35	*	30H7	286	150 x 15
46	322,63	325,42	*	30H7	293	150 x 15
47	329,71	332,50	*	30H7	300	150 x 15

XH (T7/8")

z	dk (mm)	do (mm)	ed (BxH) (mm)	dv (mm)	dmax (mm)	Hub (BxH) (mm)
48	336,78	339,57	*	30H7	307	150 x 15
49	343,86	346,35	*	30H7	314	150 x 15
50	350,93	353,72	*	30H7	321	150 x 15
51	358,08	360,80	*	30H7	328	150 x 15
52	365,08	367,87	*	30H7	335	150 x 15
53	372,15	374,95	*	30H7	342	150 x 15
54	379,23	382,02	*	30H7	349	150 x 15
55	386,30	389,09	*	30H7	356	150 x 15
56	393,38	396,17	*	30H7	363	150 x 15
57	400,45	403,24	*	30H7	370	150 x 15
58	407,53	410,32	*	30H7	378	150 x 15
59	414,60	417,39	*	30H7	385	150 x 15
60	421,67	424,47	*	30H7	392	150 x 15
61	428,75	431,54	*	40H7	399	150 x 15
62	435,82	438,62	*	40H7	406	150 x 15
63	442,90	445,69	*	40H7	413	150 x 15
64	449,97	452,76	*	40H7	420	150 x 15
65	457,05	459,84	*	40H7	427	150 x 15
66	464,12	466,91	*	40H7	434	150 x 15
67	471,20	473,99	*	40H7	441	150 x 15
68	478,27	481,06	*	40H7	448	150 x 15
69	485,35	488,14	*	40H7	455	150 x 15
70	492,42	495,21	*	40H7	462	150 x 15
71	499,49	502,29	*	40H7	469	150 x 15
72	506,57	509,36	*	40H7	477	150 x 15
73	513,64	516,43	*	40H7	484	160 x 15
74	520,72	523,51	*	40H7	491	160 x 15
75	527,79	530,58	*	40H7	498	160 x 15
76	534,87	537,66	*	40H7	505	160 x 15
77	541,94	544,73	*	40H7	512	160 x 15
78	549,01	551,81	*	40H7	519	160 x 15
79	556,09	558,88	*	40H7	526	160 x 15
80	563,16	565,95	*	40H7	533	160 x 15
81	570,24	573,03	*	40H7	540	160 x 15
82	577,31	580,10	*	40H7	547	160 x 15
83	584,39	587,18	*	40H7	554	160 x 15
84	591,46	594,25	*	40H7	561	160 x 15
85	598,54	601,33	*	40H7	569	160 x 15
86	605,61	608,40	*	40H7	576	160 x 15
87	612,68	615,48	*	40H7	583	160 x 15
88	619,76	622,55	*	40H7	590	160 x 15
89	626,83	629,62	*	40H7	597	160 x 15
90	633,91	636,70	*	40H7	604	160 x 15
91	640,98	643,77	*	40H7	611	160 x 15
92	648,06	650,85	*	40H7	618	160 x 15

z	dk (mm)	do (mm)	ed (BxH) (mm)	dv (mm)	dmax (mm)	Hub (BxH) (mm)
93	655,13	657,92	*	40H7	625	160 x 15
94	662,21	665,00	*	40H7	632	160 x 15
95	669,27	672,07	*	40H7	639	160 x 15
96	676,35	679,15	*	40H7	646	160 x 15
97	683,44	686,22	*	40H7	653	160 x 15
98	690,50	693,29	*	40H7	660	160 x 15
99	697,59	700,37	*	40H7	668	160 x 15
100	704,65	707,44	*	40H7	675	160 x 15
101	711,74	714,52	*	40H7	682	160 x 15
102	718,80	721,59	*	40H7	689	160 x 15
103	725,88	728,67	*	40H7	696	160 x 15
104	732,95	735,74	*	40H7	703	160 x 15
105	740,03	742,82	*	40H7	710	160 x 15
106	747,09	749,89	*	40H7	717	160 x 15
107	754,18	756,96	*	40H7	724	160 x 15
108	761,24	764,04	*	40H7	731	160 x 15
109	768,33	771,11	*	40H7	738	160 x 15
110	775,39	778,19	*	40H7	745	160 x 15
111	782,48	785,26	*	40H7	752	160 x 15
112	789,54	792,34	*	40H7	760	160 x 15
113	796,62	799,41	*	40H7	767	160 x 15
114	803,68	806,49	*	40H7	774	160 x 15

* On request